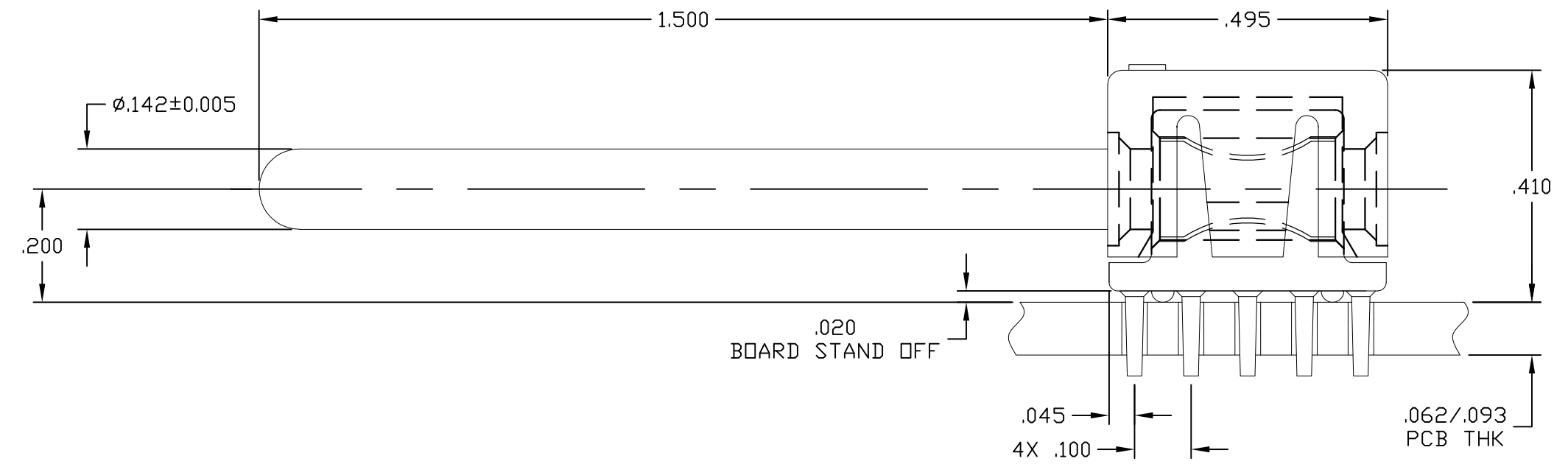
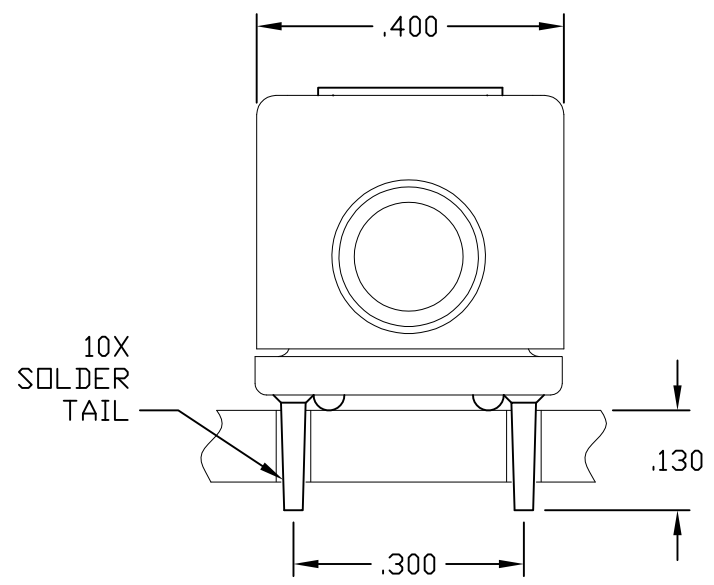
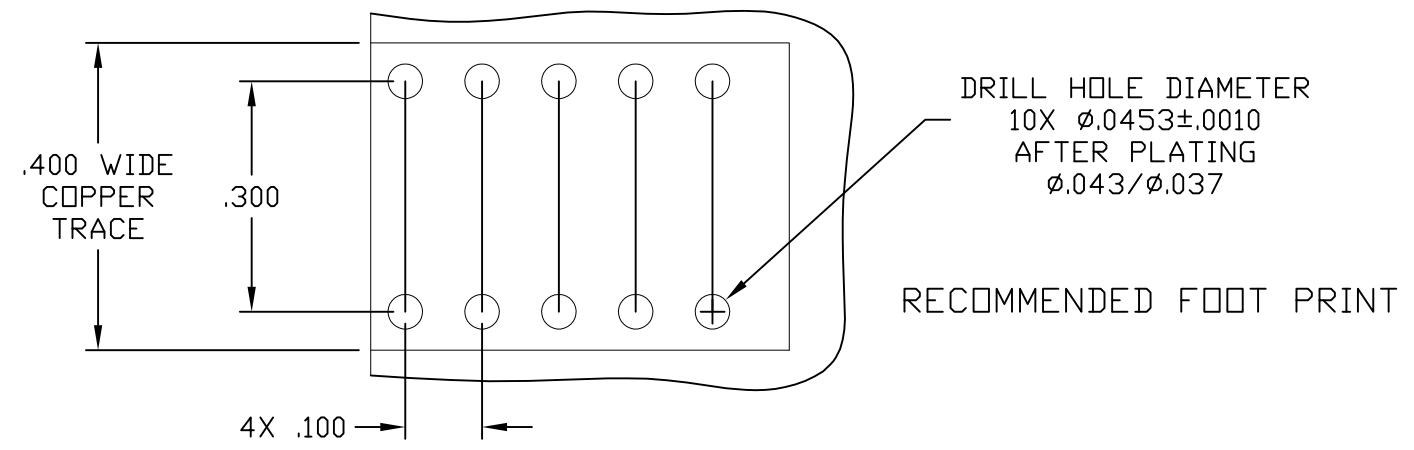


THIS DRAWING IS UNPUBLISHED. RELEASED FOR PUBLICATION
 © COPYRIGHT - By -TE ALL RIGHTS RESERVED.

LOC	DIST	REVISIONS					
GP	00	P	LTR	DESCRIPTION	DATE	DWN	APVD
		B		REV PER ECO-11-007678	11JUL2011	RG	DO



4. FINISHES:
- CROWN: GOLD PLATED, .000030 MIN THICK OVER NICKEL PLATED, .000040 MIN THICK.
 - INSERT: SILVER PLATED, .000200 MIN THICK, OVER NICKEL PLATED, .000040 MIN THICK.
 - CONTACT: SILVER PLATED, .000200 MIN THICK, OVER NICKEL PLATED, .000040 MIN THICK.

3. MATERIALS:
- HOUSING: THERMOPLASTIC, GLASS REINFORCED, COLOR-BLACK UL94V-0 FLAMMABILITY RATED
 - INSERT: ZINC ALLOY, CASTING
 - CROWN: COPPER ALLOY
 - CONTACT: BRASS ALLOY

2. ITEMS PROVIDED TO THIS SPECIFICATION SHALL BE IDENTIFIED ON THE CONTAINER WITH THE FOLLOWING INFORMATION:
 PART NUMBER & DATE CODE OF MANUFACTURE.

1. PART NUMBER CHANGES AND OR DESIGN CHANGES AFFECTING ITEM INTERCHANGEABILITY REQUIRE PRIOR TE APPROVAL AND AUTHORIZATION BY REVISION TO THIS DRAWING.

5. A FIVE POUND (5lb) FORCE IS REQUIRED TO CORRECTLY SEAT THE CONNECTOR WITH PLATED THRU HOLES LESS THAN $\phi.040$ INCH.

6650785-1
 PART NUMBER

THIS DRAWING IS A CONTROLLED DOCUMENT.		DWN	07/22/06		 TE Connectivity
		CHK	-		
		APVD	07/22/06		
		NAME	STEVE FLICKINGER		
DIMENSIONS: INCHES		TOLERANCES UNLESS OTHERWISE SPECIFIED:		NAME	
		0 PLC ± -		-	
		1 PLC ± -		-	
		2 PLC ± .02		-	
		3 PLC ± .010		-	
		4 PLC ± -		-	
MATERIAL		FINISH		-	
-		-		-	
		PRODUCT SPEC	-		
		APPLICATION SPEC	-		
		WEIGHT	-		
		SIZE	CAGE CODE	DRAWING NO	RESTRICTED TO
		A3	00779	C-6650785	-
		CUSTOMER DRAWING		SCALE	SHEET
				4:1	1 OF 1
				REV	B