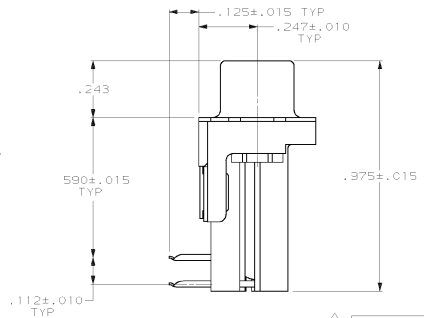
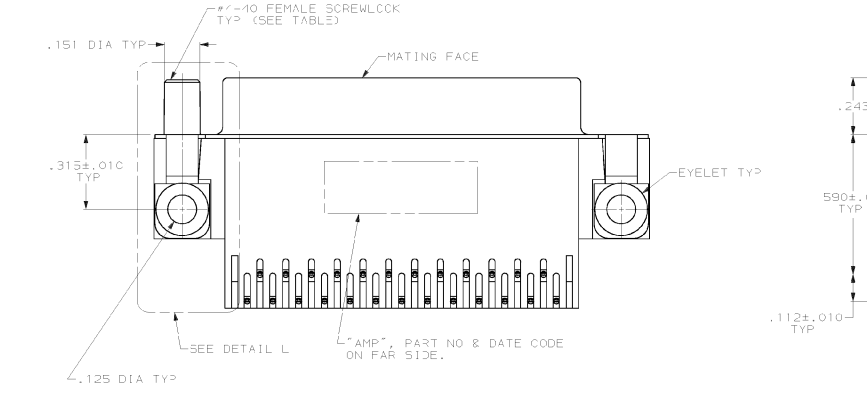
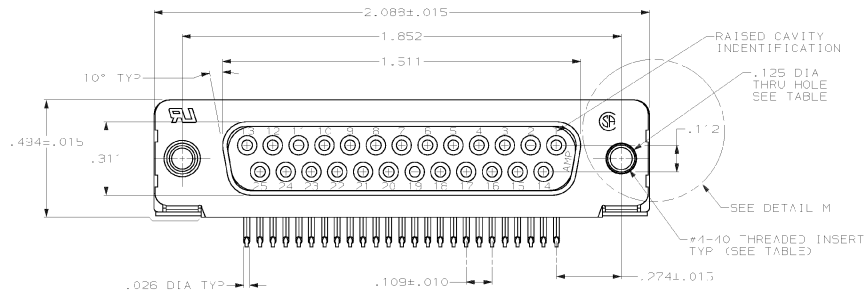
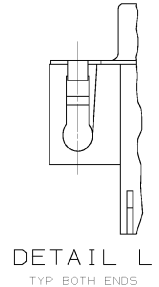
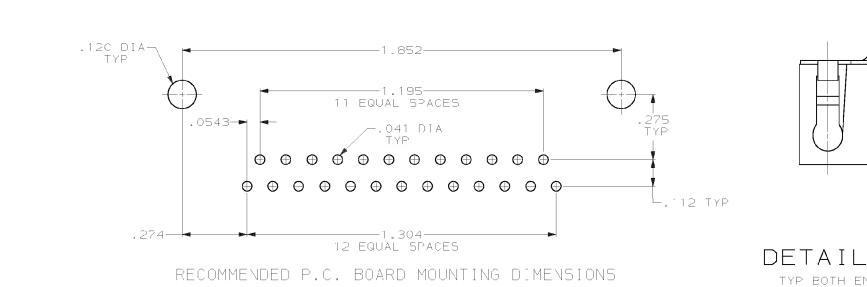


REV	DATE	BY	CHK	APP	DESCRIPTION	DATE	APP
GP	00				REVISED PER EC 0513-0027-03	198003	JG



- CONNECTOR MATES WITH ANY 25 POSN PLUG IN AMPLIMITE™ SERIES & COMPLIES WITH AMP SPEC 108-40005 WHERE APPLICABLE.
- MOLDED PARTS: FLAME RETARDANT 94V-0 RATED THERMOPLASTIC, BLACK.
SHELL: STEEL PER ASTM A109
CONTACTS: PHOSPHOR BRONZE PER QQ-B-750
EYELETS: BRASS
SCREWLOCKS: ZINC
INSERTS: ZINC
- SHELL: BRIGHT TIN PLATED
CONTACTS: SEE TABLE
EYELETS: TIN PLATED
SCREWLOCKS: CLEAR CHROMATE
INSERTS: CLEAR CHROMATE
- GOLD PLATING PER MIL-G-45204, NICKEL PLATING PER CO-N-280, TIN PER MIL-T-10727.
- GOLD FLASH FOR A DISTANCE OF .100 MIN FROM MATING END, TIN PLATED .000100-.000200 ON SOLDER POST, ALL OVER .000050 NICKEL.
- .000030 GOLD FOR A DISTANCE OF .100 MIN FROM MATING END, TIN PLATED .000100-.000200 ON SOLDER POST, ALL OVER .000050 NICKEL.
- .000015 MIN GOLD FOR A DISTANCE OF .100 MIN FROM MATING END, TIN PLATED .000100-.000200 ON SOLDER POST, ALL OVER .000050 NICKEL.
- PACKAGED IN TUBES.



OBsolete	FEMALE SCREWLOCKS	GROUNDING STRAPS		1-745932-9
OBsolete	FEMALE SCREWLOCKS	C-INCH TABS (SEE DETAIL L)		1-745932-8
OBsolete	THREADED INSERTS	C-INCH TABS (SEE DETAIL L)		1-745932-7
OBsolete	.125 DIA HOLE	C-INCH TABS (SEE DETAIL L)		1-745932-6
OBsolete	FEMALE SCREWLOCKS	GROUNDING STRAPS		1-745932-5
OBsolete	THREADED INSERTS	GROUNDING STRAPS		1-745932-4
OBsolete	.125 DIA HOLE	GROUNDING STRAPS		1-745932-3
OBsolete	FEMALE SCREWLOCKS	C-INCH TABS (SEE DETAIL L)		1-745932-2
OBsolete	FEMALE SCREWLOCKS	C-INCH TABS (SEE DETAIL L)		1-745932-1
OBsolete	THREADED INSERTS	C-INCH TABS (SEE DETAIL L)		1-745932-0
SUPD BY 1-745932-0	THREADED INSERTS	C-INCH TABS (SEE DETAIL L)		745932-9
OBsolete	.125 DIA HOLE	C-INCH TABS (SEE DETAIL L)		745932-8
OBsolete	.125 DIA HOLE	C-INCH TABS (SEE DETAIL L)		745932-7
OBsolete	FEMALE SCREWLOCKS	GROUNDING STRAPS		745932-6
SUPD BY 745932-6	FEMALE SCREWLOCKS	GROUNDING STRAPS		745932-5
OBsolete	THREADED INSERTS	GROUNDING STRAPS		745932-4
OBsolete	THREADED INSERTS	GROUNDING STRAPS		745932-3
OBsolete	.125 DIA HOLE	GROUNDING STRAPS		745932-2
OBsolete	.125 DIA HOLE	GROUNDING STRAPS		745932-1
MOUNTING HARDWARE		SHELL VERSION	CONTACT FINISH	PART NUMBER

DO NOT SCALE PRINT. UNLESS SPECIFIED DIMENSIONS IN INCHES TOLERANCES ON 1 2 FLD DEC ± .005 3 FLD DEC ± .005 ANGLES ± 2°	DR 1-27-R1 J GALLUCI B6 CHK 4 26 31 R. STONE APPD 4-26-91 J.W. YOUNG APD 4-26-91 C. ROBE PRODUCT SPEC 108-40025	AMP AMP Incorporated Harrisburg, PA 17105-3506 NAME RCPT Assy, 517 3, 25 POSN, RTANG, W/FRONT METAL SHELL, .026 DIA POSTS, AMPLIMITE™ HU-20 (.590 FOOTPRINT) SHORT LEG
FINISH 114-40010	APPLICATION SPEC 114-40010	SIZE 00779
HEIGHT	SCALE: 4:1	DRAWING NO 745992 SHEET 1 OF 1