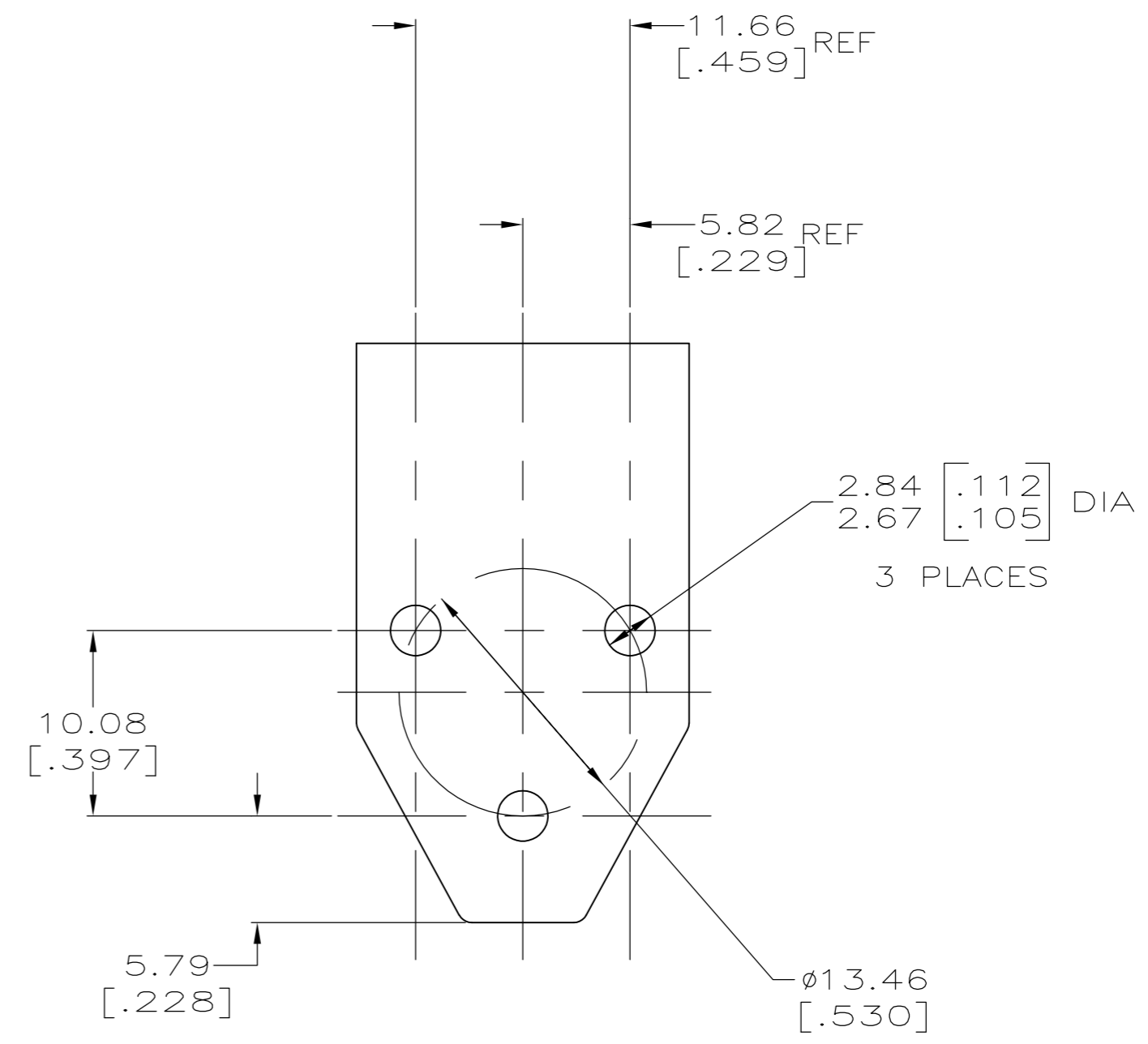
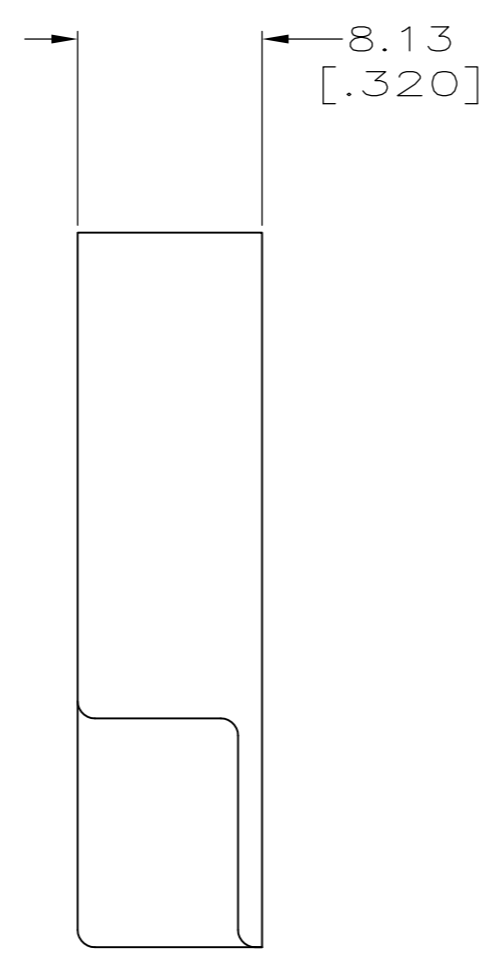
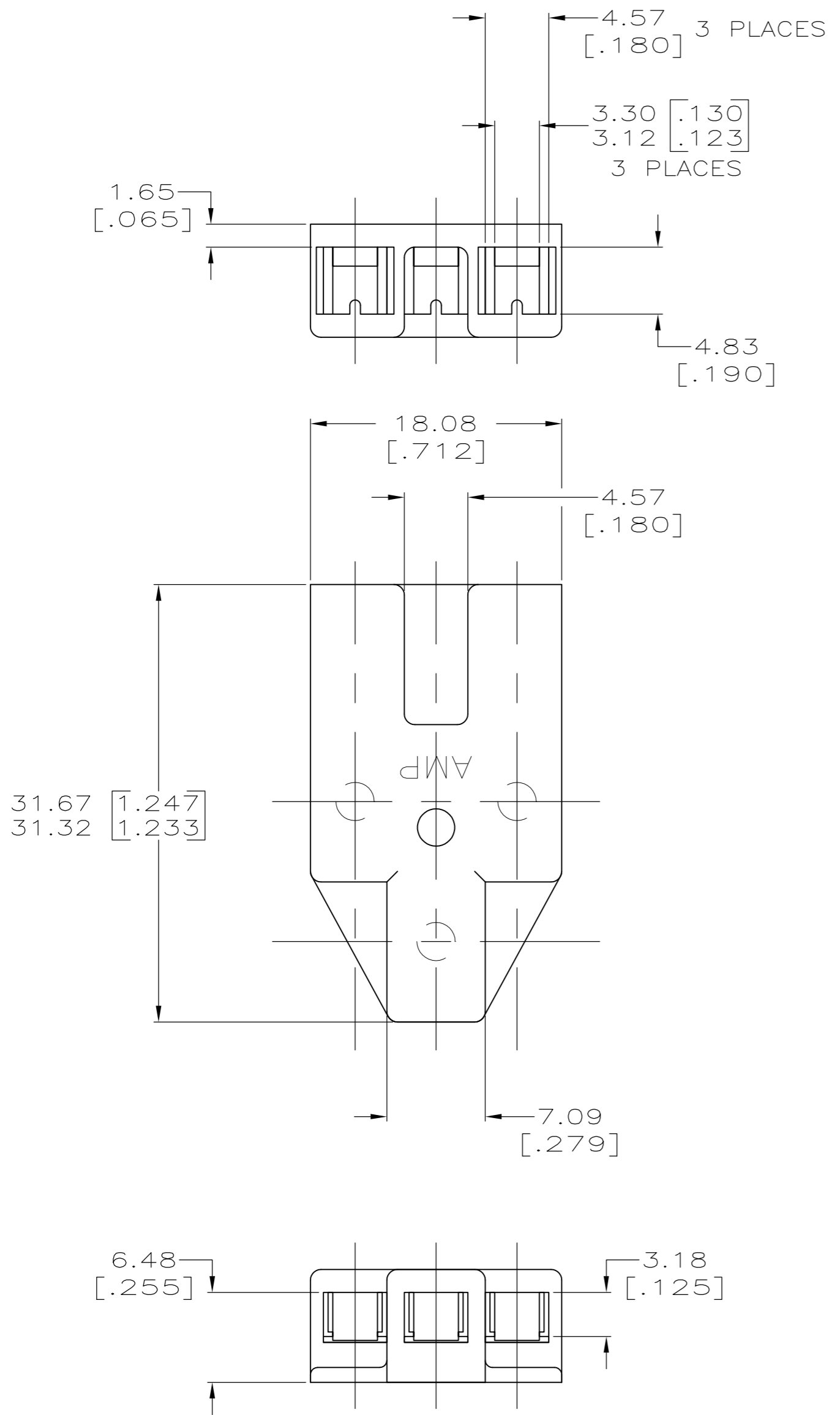


THIS DRAWING IS UNPUBLISHED. RELEASED FOR PUBLICATION  
 © COPYRIGHT BY TYCO ELECTRONICS CORPORATION. ALL INTERNATIONAL RIGHTS RESERVED.

LOC		DIST		REVISIONS			
P	LTR	DESCRIPTION		DATE	DWN	APVD	
AF	50	K		REVISED PER ECR-09-006862	12AUG09	HMR	GJ



1 HOUSING ACCEPTS 2.29 [.090] DIA CLUSTER BLOCK PIN RECEPTACLE.  
 2 PRELIMINARY - NOT FOR PRODUCTION

VALOX 420 OR EQUIVALENT	2 360050-2
PBT UNFILLED	360050-1
MATERIAL	PART NUMBER

THIS DRAWING IS A CONTROLLED DOCUMENT.		DWN 03NOV1999 MICHAEL S. FEHER	Tyco Electronics Corporation Harrisburg, PA 17105-3608	
DIMENSIONS: mm	TOLERANCES UNLESS OTHERWISE SPECIFIED:	CHK 05NOV1999 PETE DESANTIS	NAME HOUSING, CLUSTER BLOCK, 2.29 [.090] DIA	
	0 PLC ± -	APVD 05NOV1999 PETE DESANTIS	SIZE	CAGE CODE
	1 PLC ± -	PRODUCT SPEC	A2	00779
	2 PLC ± 0.25[.010]	APPLICATION SPEC	DRAWING NO	RESTRICTED TO
	3 PLC ± -	108-2008	C=360050	-
	4 PLC ± -	114-2019	SCALE	SHEET
MATERIAL SEE TABLE	FINISH NATURAL	WEIGHT -	3:1	1 OF 1
		CUSTOMER DRAWING	REV	K

360050