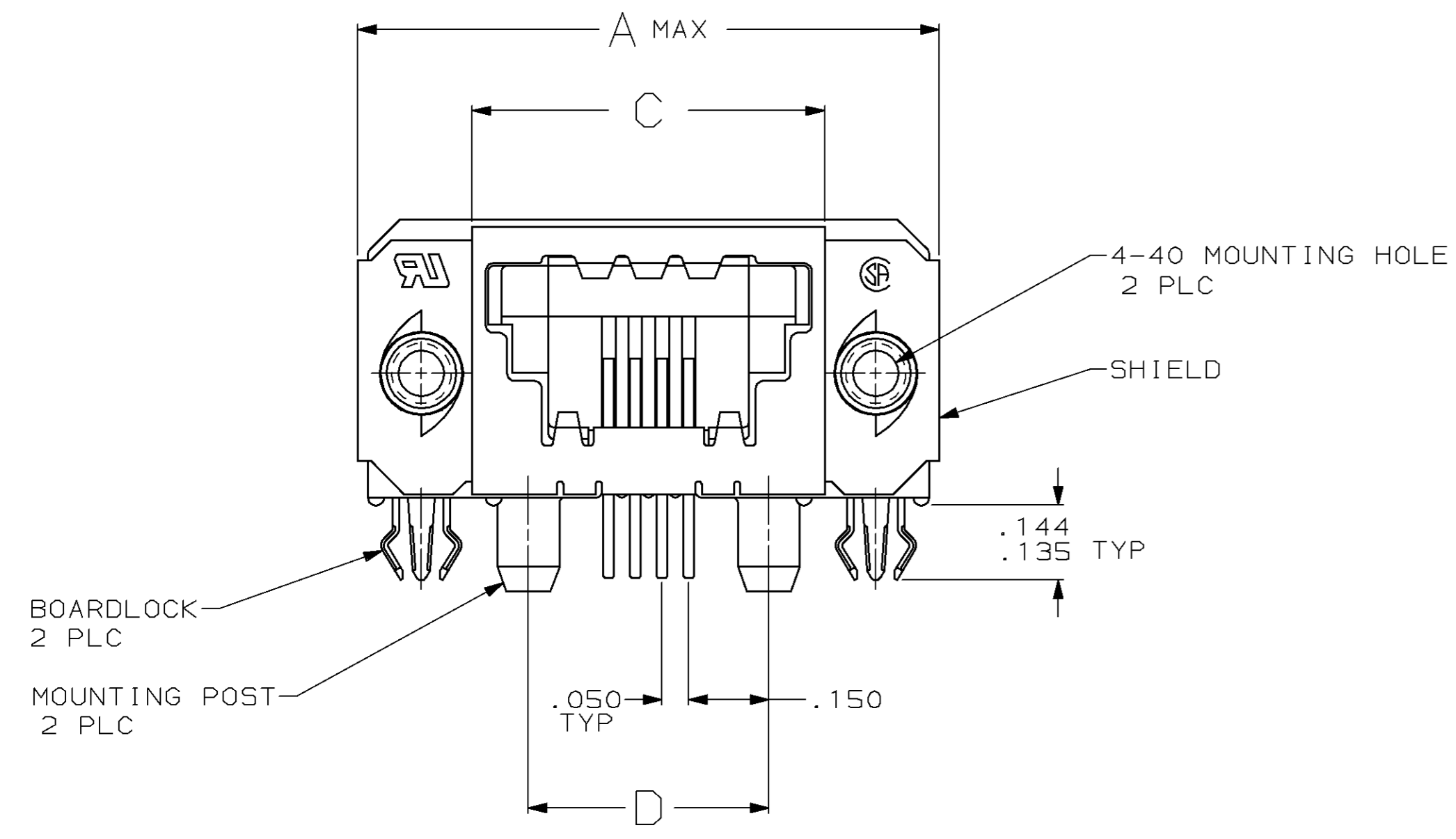
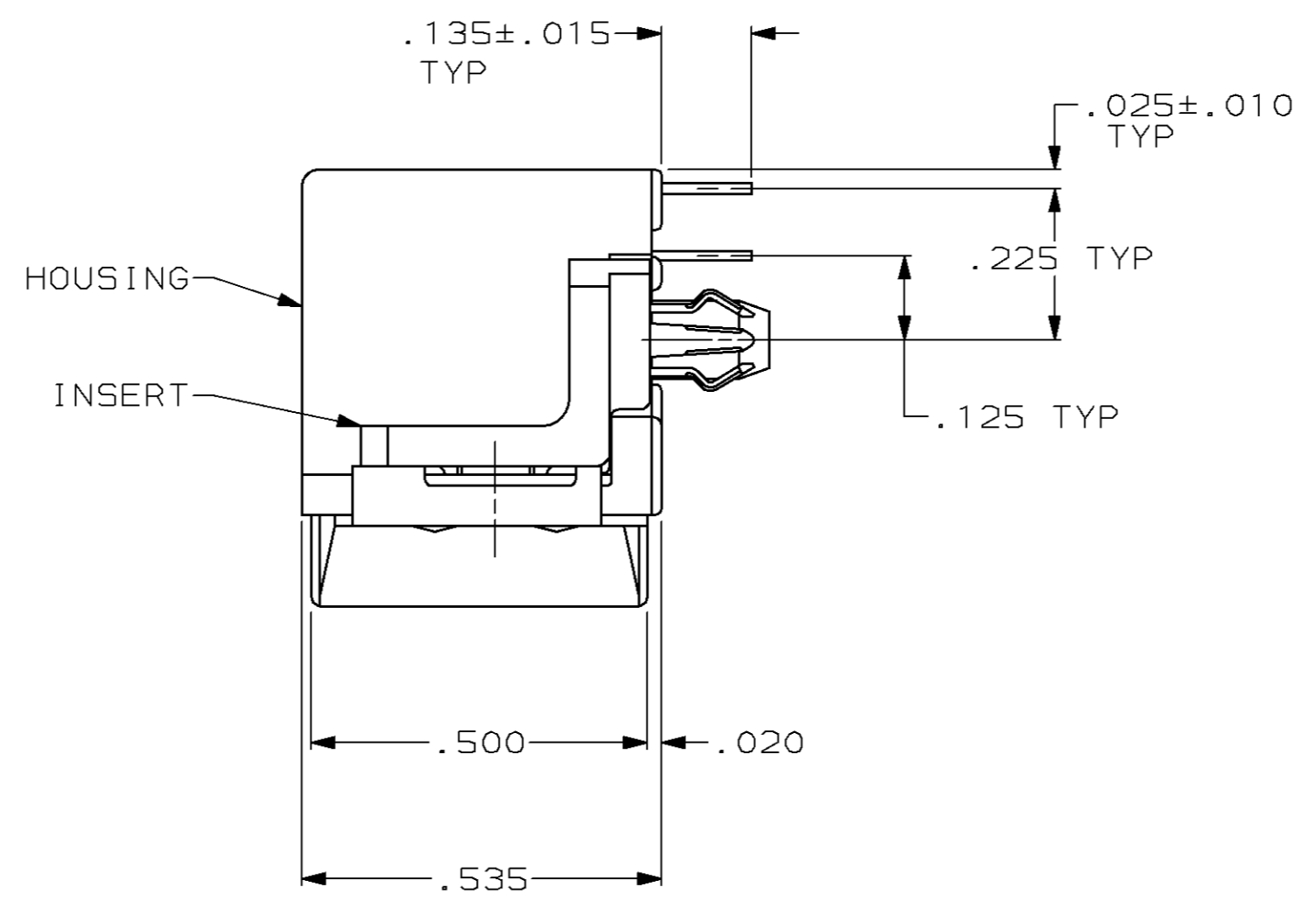
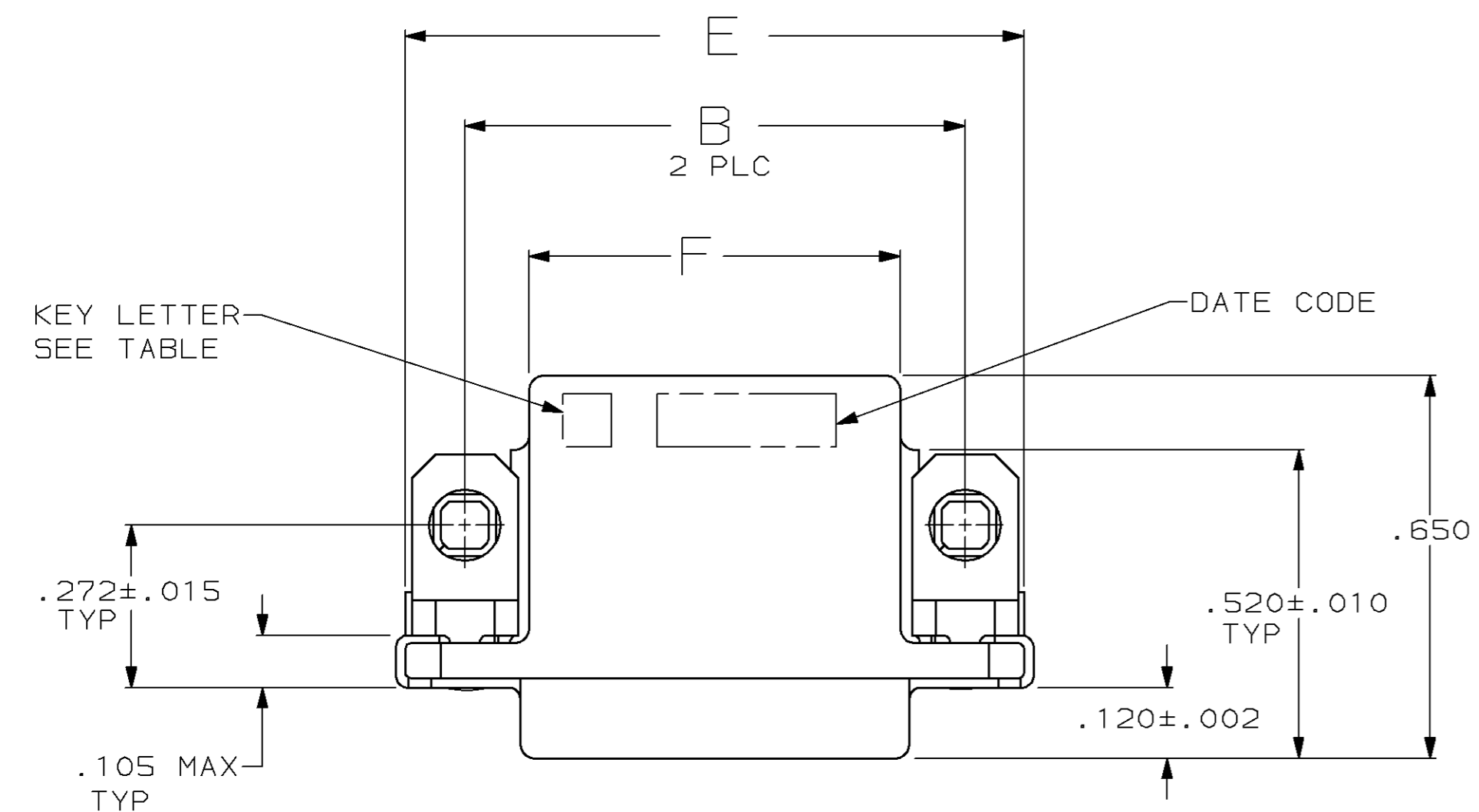


LOC	DIST	P	F	ZONE	LTR	REVISIONS			
						DESCRIPTION	DATE	APPD	
	BD	50				O	RELEASED WAS 88-1002-7, 8, 9&10, NPR2292	1-27-89	JP
						A	REVISED ECN BD3272	9-18-89	JP
						B	REVISED ECN BD3371	12-7-89	JP
						C	OBS 2-2, 2-3, 2-6, 3-1, 3-3, 3-6, 4-3, 4-6, 6-1 PER ECN BD6168	06/01/92	JP
						D	OBS -42, -53, -56 PER EC 0020-1512-93	03/24/94	SM
						E	OBS 1--1 PER EC 0020-1575-93	04/27/94	SM
						F	REACTIVATED 1--1 & 3--1 EC 0020-388-94	05/10/94	SM
						G	REACTIVATED 5--3 PER ECN 0020-553-94	07/06/94	SFM
						H	REV PER EC 0020-1350-94	01/09/95	SM
						J	REV PER EC 0020-271-95	04/17/95	RB
						K	OBS -22, -26, -61 PER EC 0020-475-95	24 OCT 95	RB
						L	OBSOLETE -32 AND -52 PER EC 0410-186-96	26 JAN 98	JDS
						M	REACTIVATED 5--6 PER EC 0410-13-98	10 FEB 98	JS



- 1 POLYESTER, FLAME RETARDANT, UL 94V-0 RATED, GLASS FILLED, BLACK.
- 2 SHIELD: BRASS; INSERT: ZINC ALLOY; BOARDLOCKS; COPPER ALLOY.
- 3 PHOSPHOR BRONZE PER QQ-B-750.
- 4 .000030 MIN BRIGHT TIN-LEAD OVER .000050 MIN NICKEL.
- 5 .000150 MIN BRIGHT TIN-LEAD ON SOLDER END, .000050 MIN GOLD ON MATING END FOR A LENGTH OF .100 MIN ON MATING SURFACE, ALL OVER .000050 MIN NICKEL ON ENTIRE CONTACT.
- 6 GOLD PLATING PER MIL-G-45204, NICKEL PLATING PER QQ-N-290, TIN PLATING PER MIL-T-10727.
- 7 .000150 MIN NICKEL OVER .000100 MIN COPPER.
- 8 .000200 MIN TIN-LEAD OVER .000050 MIN NICKEL.

OBSOLETE	.630	1.050	.450	.660	.850	1.100	4	F	6-943036-1	
	1.230	1.650	1.050	1.260	1.450	1.700	16	E	5-943036-6	
	.830	1.250	.650	.860	1.050	1.300	8	E	5-943036-3	
OBSOLETE	.730	1.150	.550	.760	.950	1.200	6	E	5-943036-2	
	.630	1.050	.450	.660	.850	1.100	4	E	5-943036-1	
OBSOLETE	1.230	1.650	1.050	1.260	1.450	1.700	16	D	4-943036-6	
OBSOLETE	.830	1.250	.650	.860	1.050	1.300	8	D	4-943036-3	
OBSOLETE	.730	1.150	.550	.760	.950	1.200	6	D	4-943036-2	
	.630	1.050	.450	.660	.850	1.100	4	D	4-943036-1	
OBSOLETE	1.230	1.650	1.050	1.260	1.450	1.700	16	C	3-943036-6	
OBSOLETE	.830	1.250	.650	.860	1.050	1.300	8	C	3-943036-3	
OBSOLETE	.730	1.150	.550	.760	.950	1.200	6	C	3-943036-2	
	.630	1.050	.450	.660	.850	1.100	4	C	3-943036-1	
OBSOLETE	1.230	1.650	1.050	1.260	1.450	1.700	16	B	2-943036-6	
OBSOLETE	.830	1.250	.650	.860	1.050	1.300	8	B	2-943036-3	
OBSOLETE	.730	1.150	.550	.760	.950	1.200	6	B	2-943036-2	
	.630	1.050	.450	.660	.850	1.100	4	B	2-943036-1	
	1.230	1.650	1.050	1.260	1.450	1.700	16	A	1-943036-6	
	.830	1.250	.650	.860	1.050	1.300	8	A	1-943036-3	
	.730	1.150	.550	.760	.950	1.200	6	A	1-943036-2	
	.630	1.050	.450	.660	.850	1.100	4	A	1-943036-1	
	F	E	D	C	B	A		NO OF POSN	KEY LETTER	PART NO

DO NOT SCALE PRINT. UNLESS SPECIFIED DIMENSIONS IN INCHES TOLERANCES ON:

DR 1-27-89 J McCLINTON	AMP INCORPORATED Harrisburg, Pa. 17105
CHK 2-8-89 R STONE	
APPD 2-9-89 J PRITULSKY	NAME
APPD 2-9-89 D SUMMERS	RECEPTACLE ASSEMBLY, SIDE ENTRY, SDL
PRODUCT SPEC 118-2047	SIZE D
APPLICATION SPEC 114-2081	FSCM NO 00779
WEIGHT	DRAWING NO 943036
	SCALE 4:1
	SHEET 1 OF 1