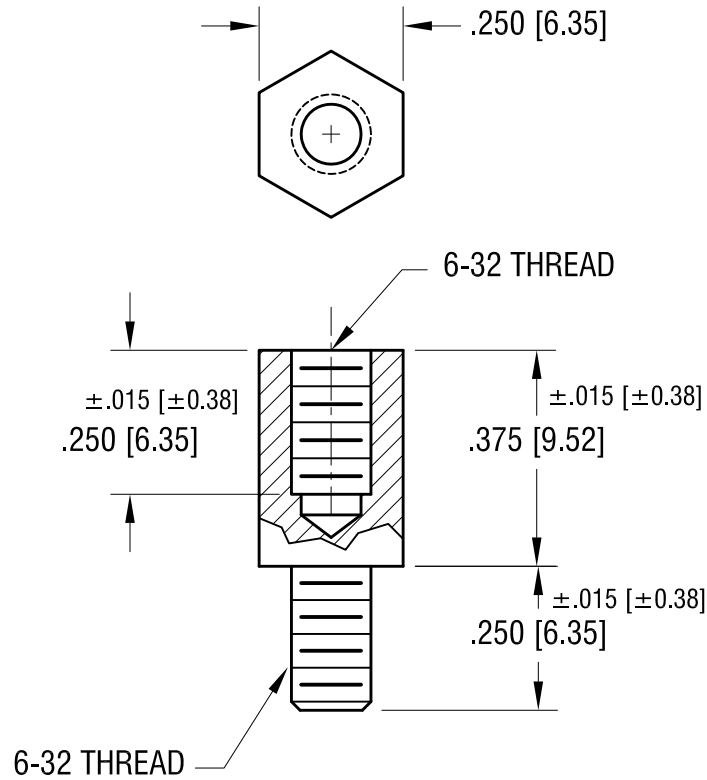
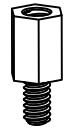


THIS DOCUMENT IS THE PROPERTY OF
KEYSTONE ELECTRONICS CORP. AND
SHALL NOT BE REPRODUCED, DISTRIBUTED
OR USED AS A BASIS FOR MANUFACTURE
WITHOUT PRIOR WRITTEN PERMISSION
FROM KEYSTONE ELECTRONICS CORP.

ACTUAL SIZE



NOTE:

1. MAT'L- HIGH TEMPERATURE ,
HIGH PERFORMANCE NYLON BLEND (COLOR- BLACK)
2. TEMPERATURE RANGE: $-20^{\circ}\text{F} [-28^{\circ}\text{C}]$ to $+400^{\circ}\text{F} [+200^{\circ}\text{C}]$

KEYSTONE ELECTRONICS CORP.

www.keyelco.com • NEW HYDE PARK, NY 11040 • Tel (516) 328-7500

PART NAME

HIGH TEMPERATURE NYLON STANDOFF

MATERIAL

AS NOTED

FINISH

NONE

DRN BY

NT

DATE

11.30.17

APP'D

LN

SCALE

3X

TOLERANCES

INCH [MM]

DECIMAL $\pm .005 [\pm 0.13]$

ANGULAR $\pm 1^{\circ}$

UNLESS OTHERWISE SPECIFIED

CODE

C

DWG NO.

4971

DATE	DESCRIPTION	REV.