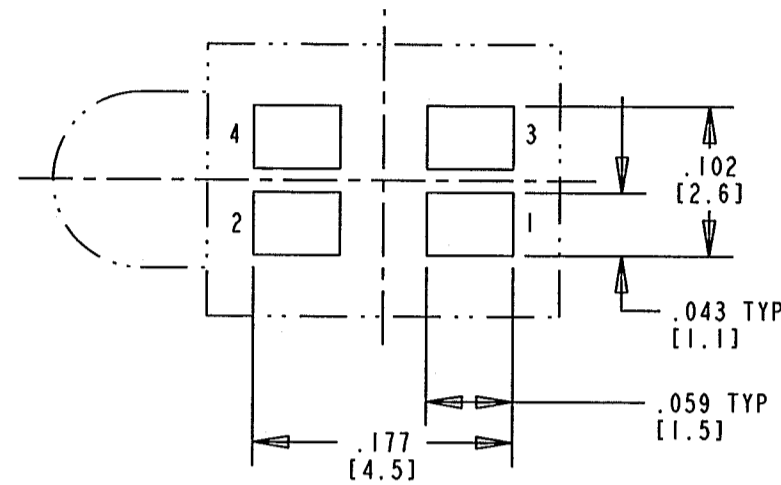


BI-COLOR OPERATING CHARACTERISTICS AT T _a = 25 °C AMBIENT																	
DIALIGHT P/N	COLOR	I _f (mA)	FORWARD VOLTAGE (V)		LUMINOUS INTENSITY (mcd)		REVERSE CURRENT (μA)		PEAK WAVELENGTH (nm)	DOMINANT WAVELENGTH (nm)			VIEW ANGLE	REVISIONS			
			TYP.	MAX.	MIN.	TYP.	MAX.	TYP.		MAX.	TYP.	MIN.		TYP.	MAX.	REV.	ECN.
591-3201-002F	SUPER RED YELLOW	10	2.0	2.3 2.4	21 36	0.01	10	645 591	627 580	633 587	639 595	50°	E	08052811	JLC	5-28-08	
591-3201-007F	SUPER RED YELLOW	10	2.0	2.3 2.4	21 36	0.01	10	645 591	627 580	633 587	639 595	50°	C	08052811	JLC	5-28-08	
591-3201-013F	SUPER RED YELLOW	10	2.0	2.3 2.4	21 36	0.01	10	645 591	627 580	633 587	639 595	50°	E	08052811	JLC	5-28-08	

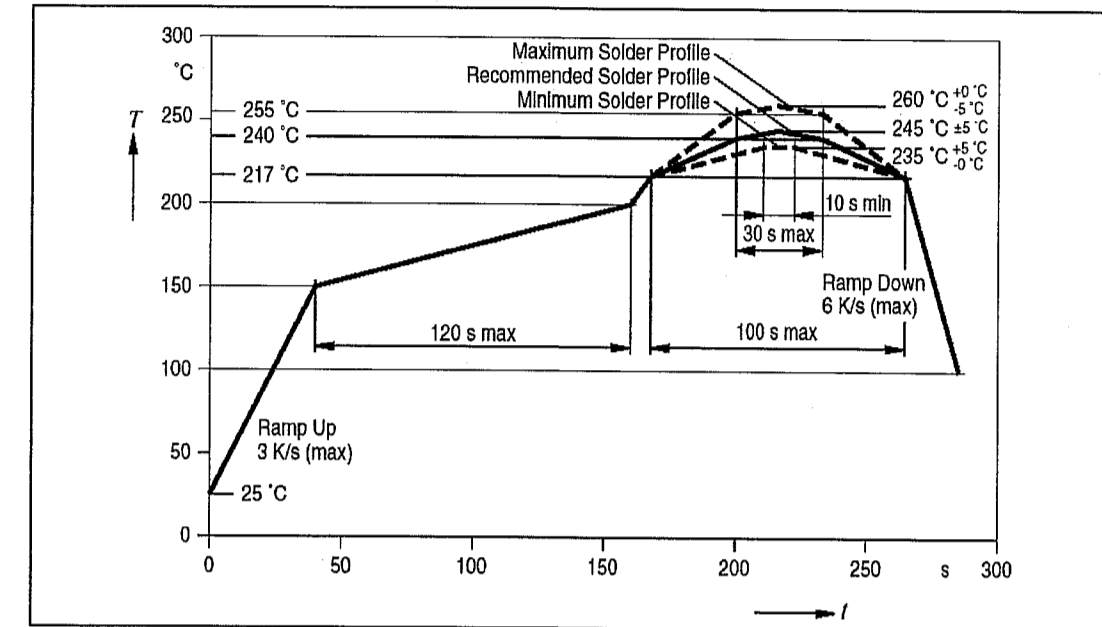
REV	ECN NO	REVISIONS	DRN	CKD	APP	DATE
A		NEW RELEASE	JLC	YLS	MP	6/25/08

ABSOLUTE MAXIMUM RATING AT 25°C AMBIENT	591-3101-XXXX			UNITS
	002F	007F	013F	
	SUPER RED YELLOW	SUPER RED YELLOW	SUPER RED YELLOW	
POWER CONSUMPTION	80			mW
CONTINUOUS FORWARD CURRENT	30			mA
DERATE LINEARLY FROM 60°C (WITH 2 CHIPS ON)	0.5			mA/°C
DERATE LINEARLY FROM 75°C (WITH 1 CHIP ON)	0.6			mA/°C
PEAK FORWARD CURRENT (t ≤ 10μs)	1.0			A
PEAK REVERSE VOLTAGE	12			V
OPERATING TEMPERATURE				
STORAGE TEMPERATURE	-40 TO +100			°C



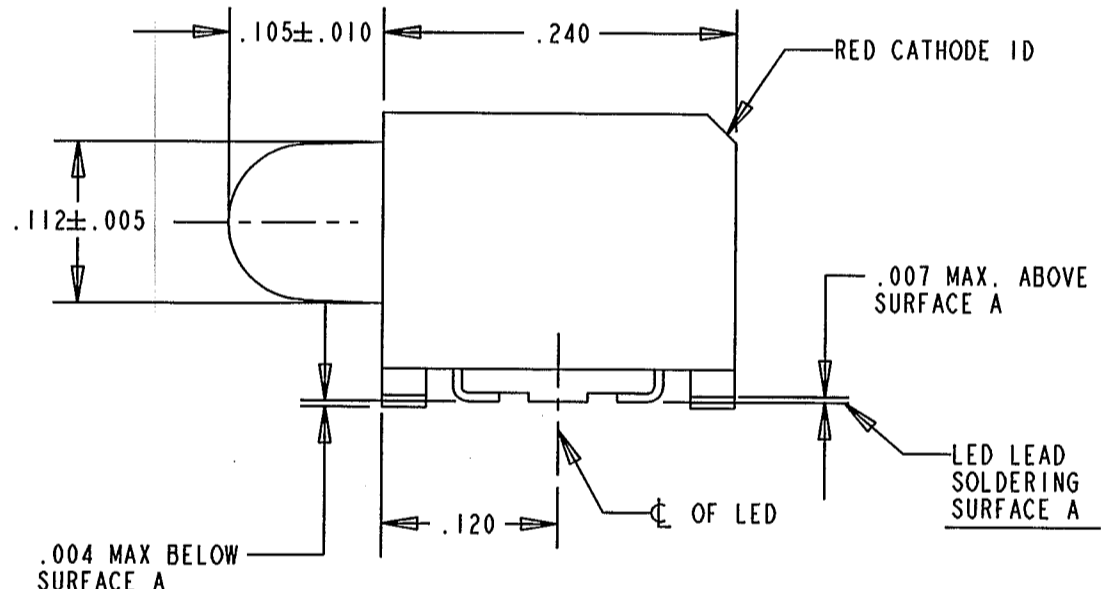
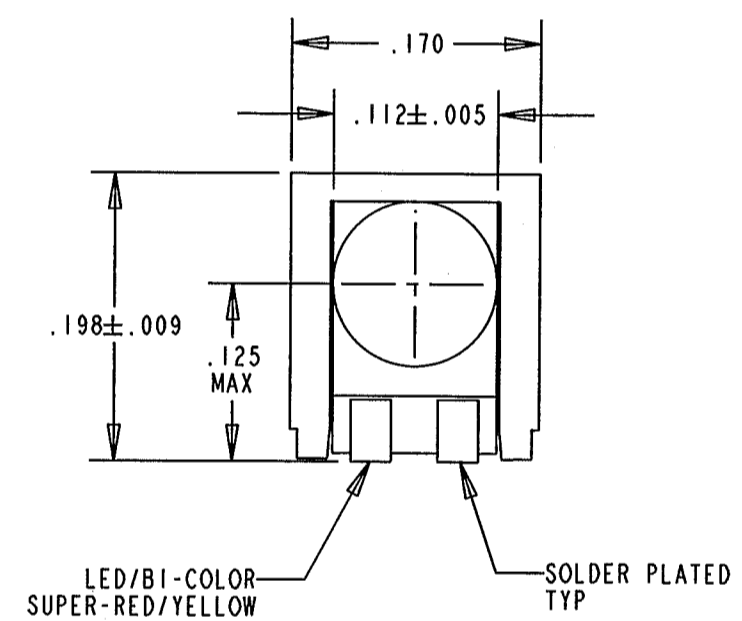
COMPONENT SIDE
RECOMMENDED PC BOARD LAND PATTERN
(DIM'S ± .004)

RoHS compliant Reflow Soldering Profile



RoHS COMPLIANT 591-3201-XXXX SURFACE MOUNT LED

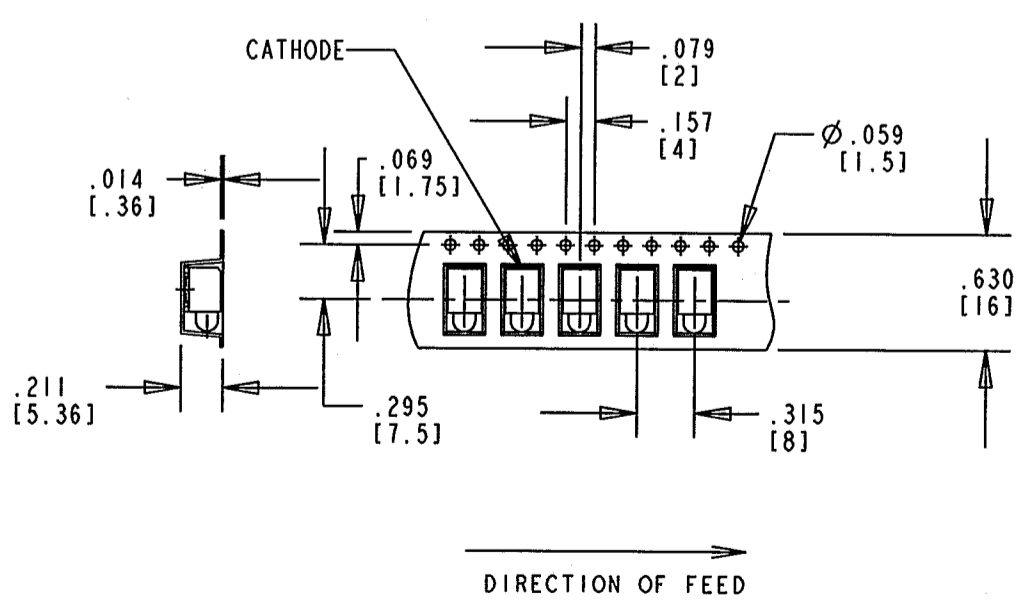
PART NUMBERS WITH THE "F" SUFFIX ENDING ARE RoHS COMPLIANT. PACKAGING IS MARKED WITH "RoHS COMPLIANT" LABEL OR EQUIVALENT MARKINGS. PARTS CAN BE REFLOW SOLDERED PER RoHS REFLOW PROFILE, WAVE SOLDERED, DIP SOLDERED, OR HAND SOLDERED USING TYPICAL LEAD-FREE SOLDERING PROCESS WITH MAX 260°C TEMP. FOR 10-20 SEC.



NOTES:

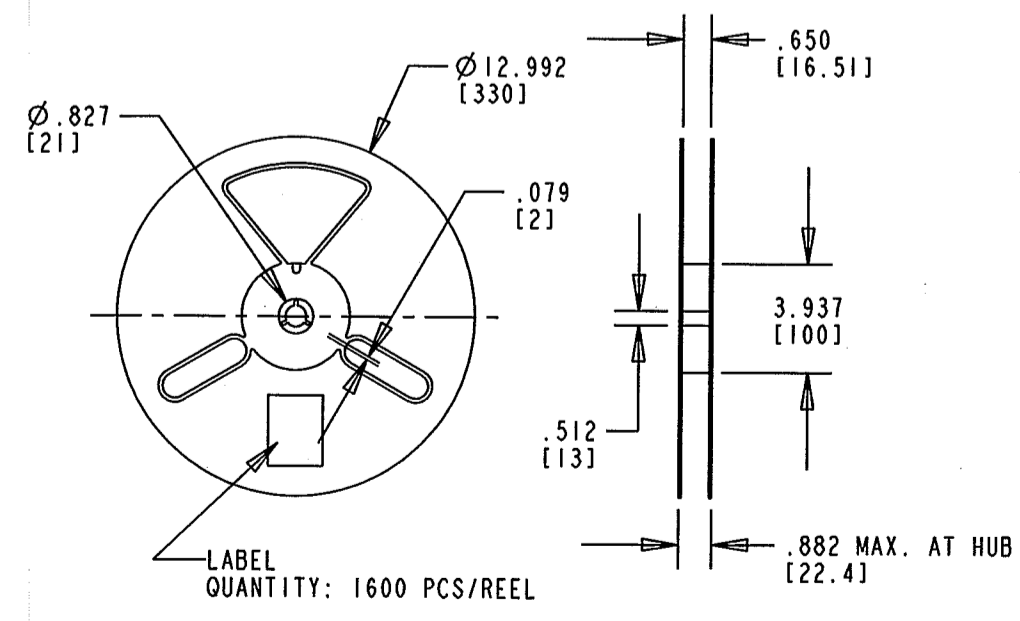
- MILLIMETER DIMENSIONS SHOWN FOR REFERENCE ONLY.
- PAD NUMBERS FOR REFERENCE ONLY. DESIGNATION NON-EXISTENT ON PART.
- STORAGE CONDITIONS FOR TAPED PRODUCT: RE-TAPING MAY BE NECESSARY FOR PRODUCT STORED MORE THAN TWELVE MONTHS.
- ORDER QUANTITY IS LED ASSEMBLIES. NOT REELS.
- 002F SUFFIX MEANS PARTS ARE PACKED ON A 20 PCS SAMPLE STRIP.
-007F SUFFIX MEANS PARTS ARE PACKED ON 7 INCH REEL, 400 PCS/REEL.
-013F SUFFIX MEANS PARTS ARE PACKED ON A 13 INCH REEL, 1600 PCS/REEL.
- LENS MOVEMENT IN RELATIONSHIP TO THE HOUSING IS:
.009" T.I.R. VERTICALLY.
.007" T.I.R. HORIZONTALLY.
- FRONT AND REAR TERMINALS OF ASSEMBLY TO BE WITHIN .005 COPLANARITY.
- DIALIGHT PART NUMBER: 591-3201-002F, 591-3201-007F, 591-3201-013F.
- DEVICE HAS A MOISTURE SENSITIVITY LEVEL "2" CAUTION LABEL APPLIED AS PER JEDEC STD. 033.

TAPING SPECIFICATION

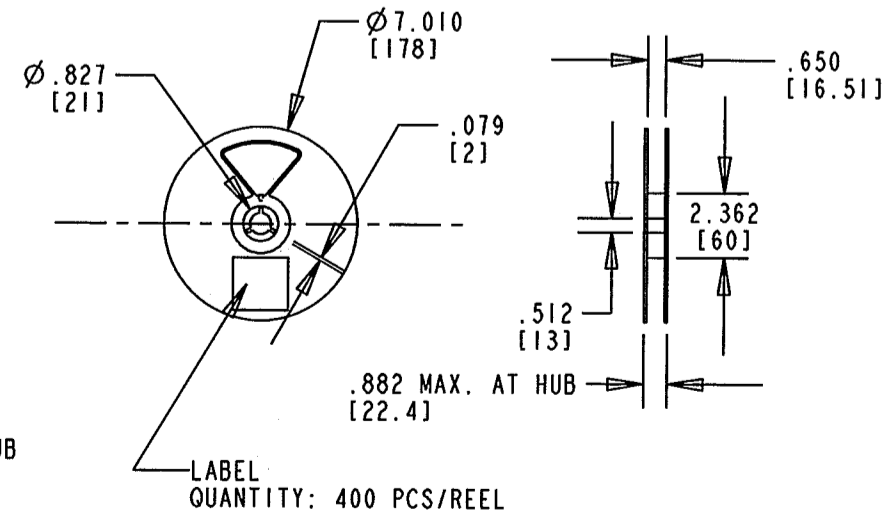


TOLERANCE: .004 UNLESS OTHERWISE SPECIFIED.
MILLIMETER DIMENSIONS SHOWN FOR REFERENCE ONLY.

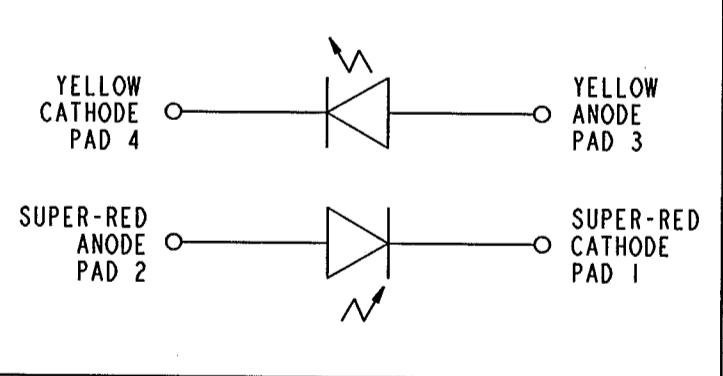
REEL SPECIFICATION



13 INCH DIA. REEL SPECIFICATIONS



7 INCH DIA. REEL SPECIFICATIONS



THIS DRAWING AND THE CONTENTS HEREIN ARE CONFIDENTIAL AND THE SOLE PROPERTY OF DIALIGHT. REPRODUCTION OF THIS DRAWING OR CONSTRUCTION OF ANY PARTS WITHIN THIS DRAWING ARE FORBIDDEN WITHOUT THE WRITTEN CONSENT OF DIALIGHT.		
SCALE: 8:1	DRAWING NUMBER	REV
ALL DIM'S IN: INCHES (MM)	C-17625	A
TOLERANCES: UNLESS OTHERWISE SPECIFIED	TITLE	
FRACTIONS: ±1/64	3mm PRISM SURFACE MOUNT CBI	
DECIMALS (.XX): ±.02	MATERIAL	
DECIMALS (.XXX): ±.015		
DECIMALS (.XXXX): ±.0005		
ANGLES: ±1°		
FINISH:	Dialight	
FSCM 83330	1501 ROUTE 34 SOUTH FARMINGDALE, NJ 07727	
SHEET 1 OF 1 FAMILY TABLE:		