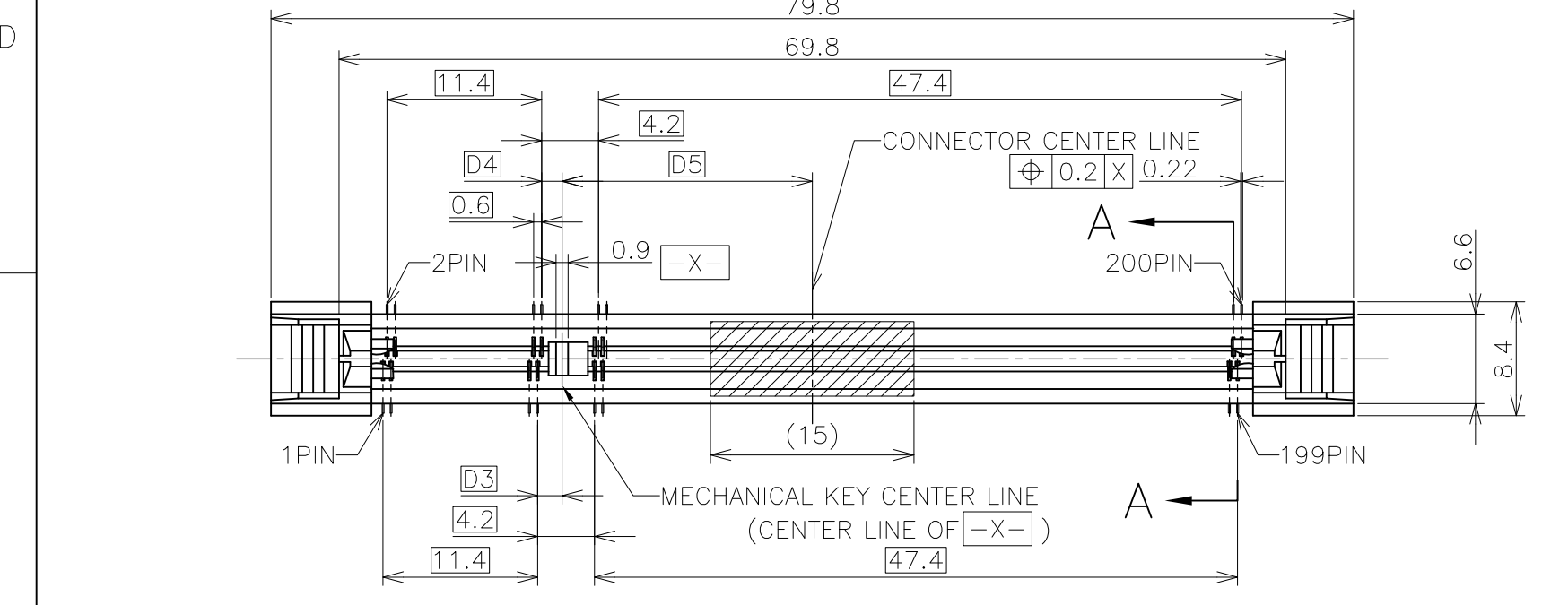
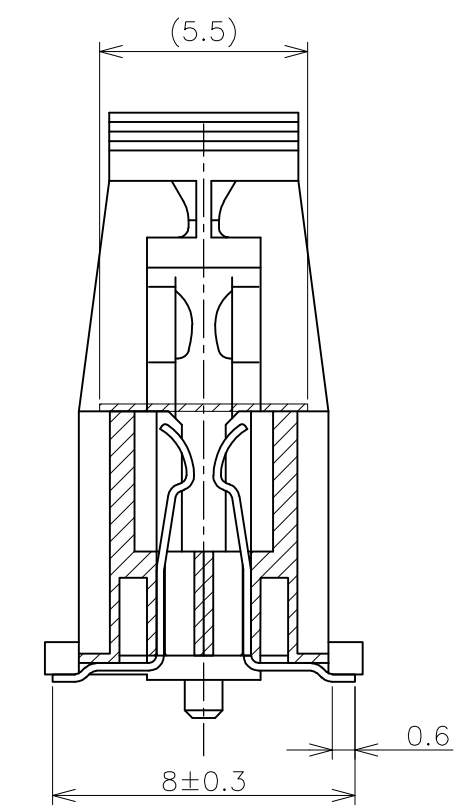
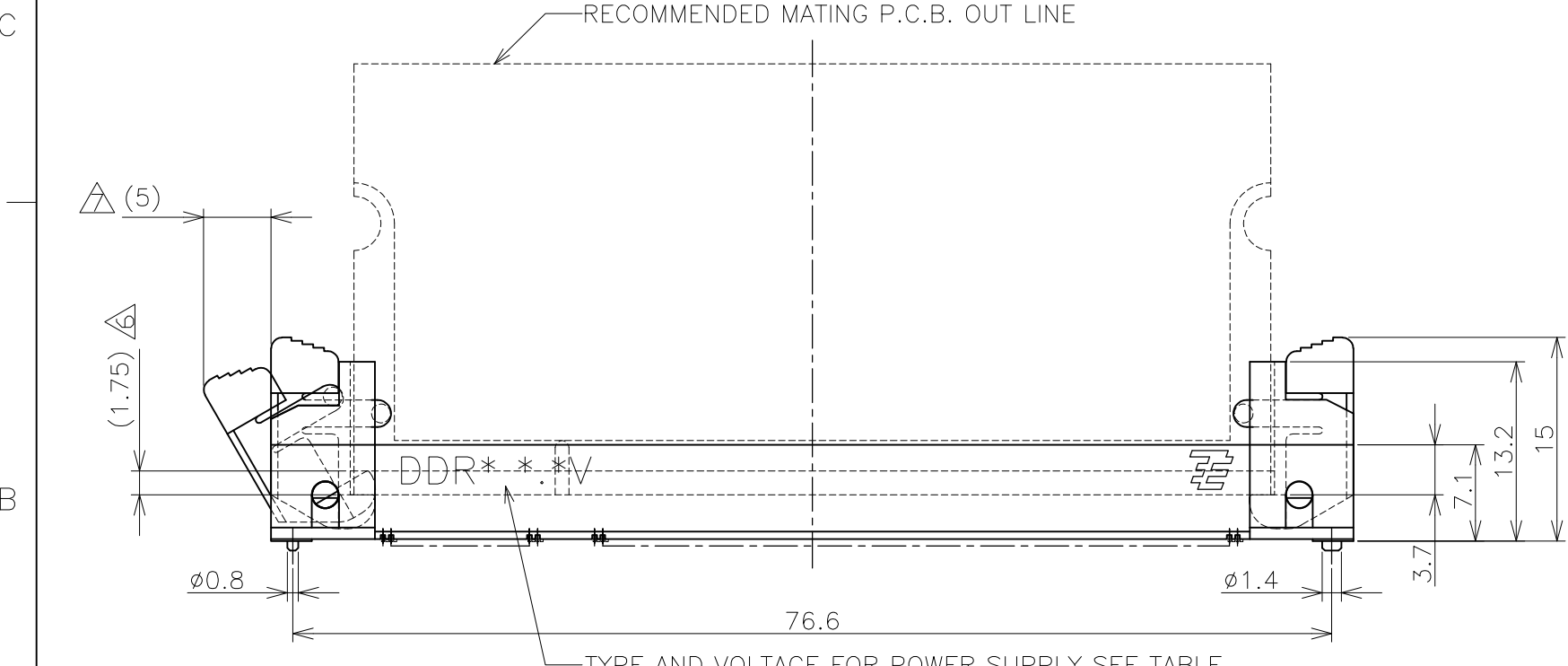


THIS DRAWING IS UNPUBLISHED. RELEASED FOR PUBLICATION
 © COPYRIGHT - By - ALL RIGHTS RESERVED.

LOC	DIST	REVISIONS					
		P	LTR	DESCRIPTION	DATE	DWN	APVD
J		D		REVISED PER ECR-12-005531	23MAR2012	W.W	C.W



- NOTES;(APPLIED TO SHEET 1-2)
- MATERIAL ; HOUSING: HIGH TEMPERATURE THERMO PLASTIC UL94V-0
 CONTACT: COPPER ARROY
 EJECOR: HIGH TEMPERATURE THERMO PLASTIC UL94V-0
 - FINISH ; CONTACT AREA: GOLD FLASH, ALL OVER NICKEL.
 SOLDERING AREA: TIN PLATING, ALL OVER NICKEL.
- ⚠ MECHANICAL KEY POSITION OF CONNECTOR SEE TABLE.
 - ⚠ MODULE TYPE SEE TABLE.
 - ⚠ PWR SUPPLY SEE TABLE.
 - ⚠ THE VOLUME OF LIFTING UP BY EJECTOR.
 - ⚠ ADDITIONAL WIDTH BY EJECTING.
 - ⚠ TOLERANCES NON-CUMULATIVE.



DDR2	1.8V	17.55	2.4	2.7	200	2040910-3
DDR2	1.8V	17.55	2.4	2.7	200	2040910-2
DDR1	2.5V	18.45	1.5	1.8	200	2040910-1
TYPE	POWER SUPPLY	D5	D4	D3	POS	PART NO.

THIS DRAWING IS A CONTROLLED DOCUMENT.

DIMENSIONS: 単位: 耗 MM	TOLERANCES UNLESS OTHERWISE SPECIFIED: 一般公差
0 PLC ± -	1 PLC ± -
2 PLC ± -	3 PLC ± -
4 PLC ± -	ANGLES ± 3'
MATERIAL 材料	FINISH 仕上
SEE NOTES	SEE NOTES

GENERAL TOERLANCE

10 ≥	±0.2
30 ≥	>10 ; ±0.25
100 ≥	>30 ; ±0.3
ANGLE ; ±3'	

DWN T.FUMIKURA 20NOV2008
 CHK K.IKEGAMI 20NOV2008
 APVD K.IKEGAMI 20NOV2008

STE TE Connectivity

NAME 名称
 DDR SODIMM SOCKET 0.6mm PITCH
 200POS VERTICAL TYPE

PRODUCT SPEC
 製品規格
 108-78628

APPLICATION SPEC
 取付適用規格

SIZE	CAGE CODE	DRAWING NO 番号	RESTRICTED TO
A3	00779	C-2040910	

WEIGHT 4.77g

CUSTOMER DRAWING

SCALE 尺度 2:1

SHEET 1 OF 4

REV D

THIS DRAWING IS UNPUBLISHED.

RELEASED FOR PUBLICATION

© COPYRIGHT - By -

ALL RIGHTS RESERVED.

LOC

DIST

REVISIONS

変更

DESCRIPTION

DATE

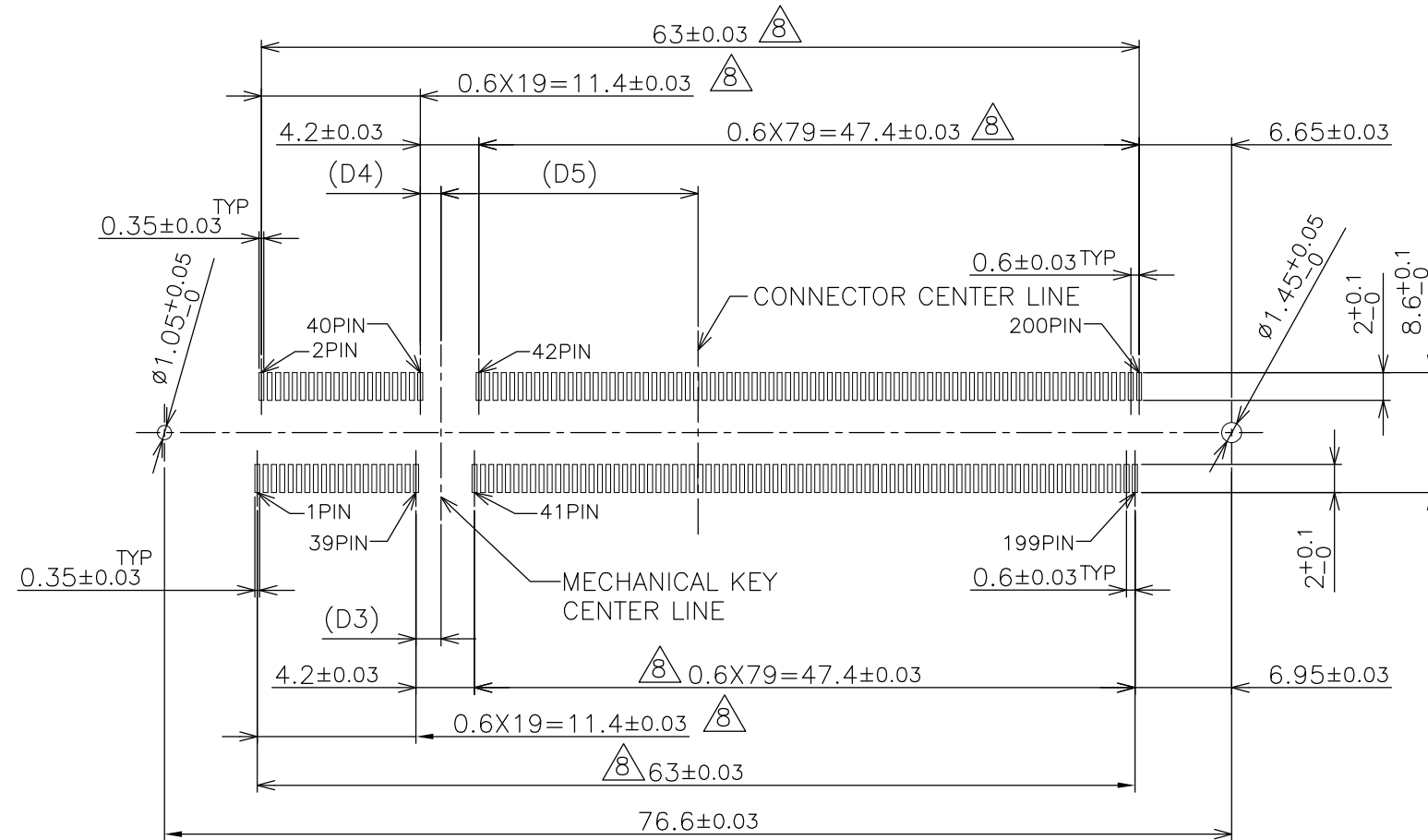
DWN

APVD

P

LTR

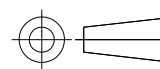
SEE SHEET 1



REFERENCE P.C.B PATTERN LAYOUT (CONNECTOR MOUNTING SIDE)

THIS DRAWING IS A CONTROLLED DOCUMENT.

DIMENSIONS: 单位: 耗 MM



MATERIAL 材料 SEE NOTES

TOLERANCES UNLESS OTHERWISE SPECIFIED: 一般公差

- 0 PLC ± -
- 1 PLC ± -
- 2 PLC ± -
- 3 PLC ± -
- 4 PLC ± -
- ANGLES ± 3'

FINISH 仕上 SEE NOTES

DWN

CHK

APVD

PRODUCT SPEC

製品規格

APPLICATION SPEC

取付適用規格

WEIGHT

CUSTOMER DRAWING



NAME 名称

DDR SODIMM SOCKET 0.6mm PITCH 200POS VERTICAL TYPE

SIZE

CAGE CODE

DRAWING NO 番号

RESTRICTED TO

A3

00779

C-2040910

SCALE 尺度 2:1

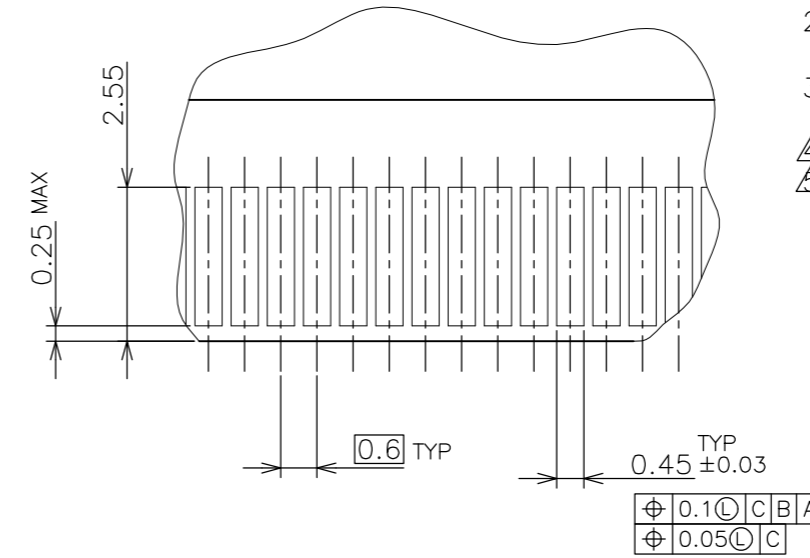
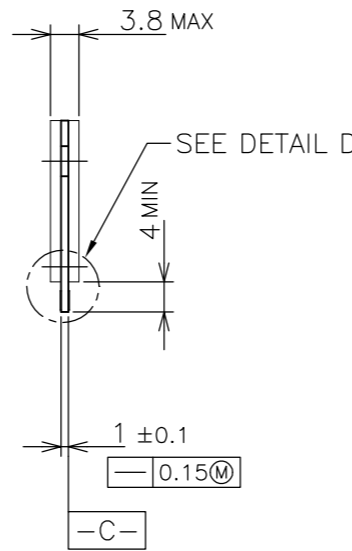
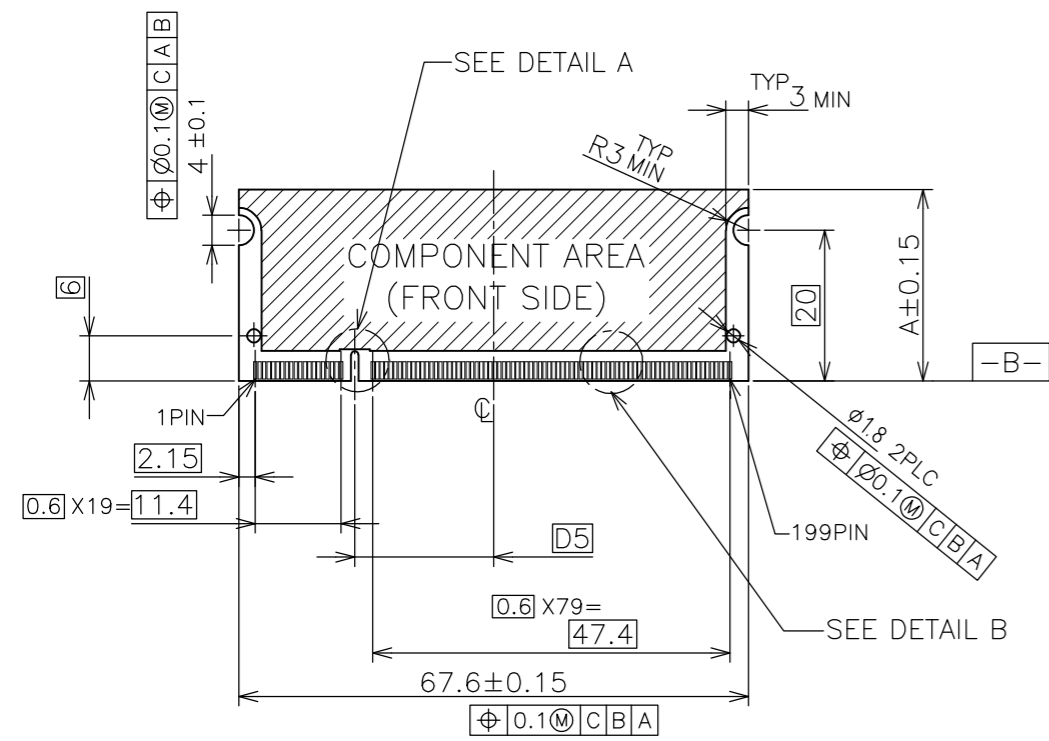
SHEET 2 OF 4

REV D

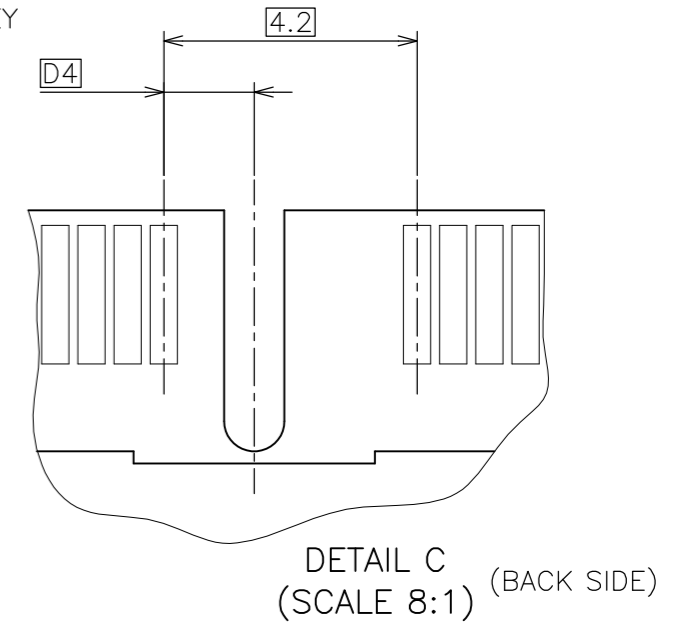
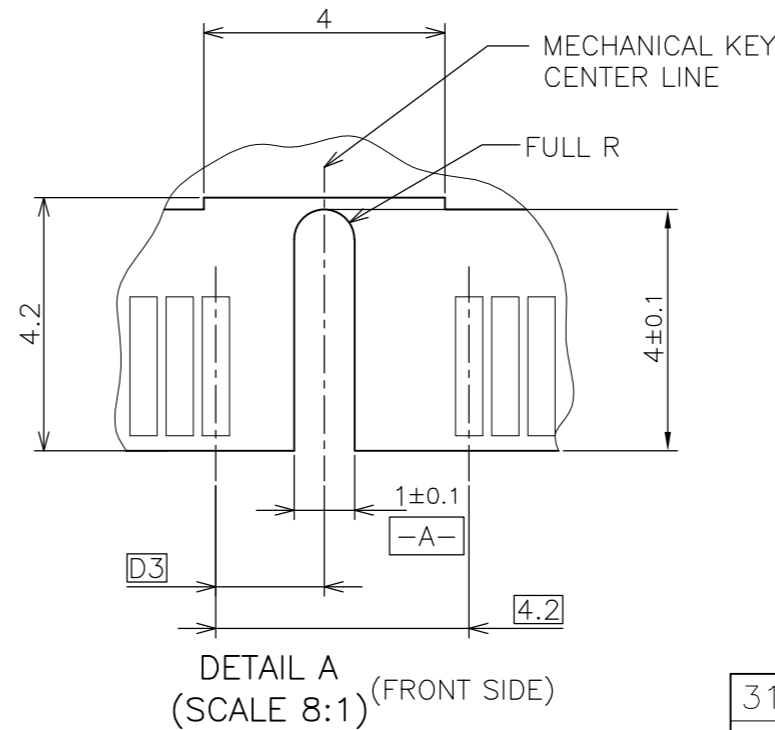
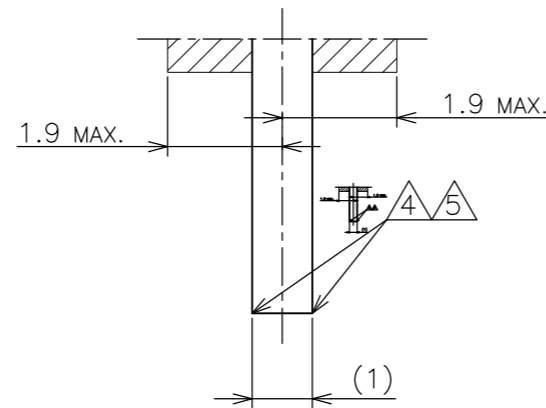
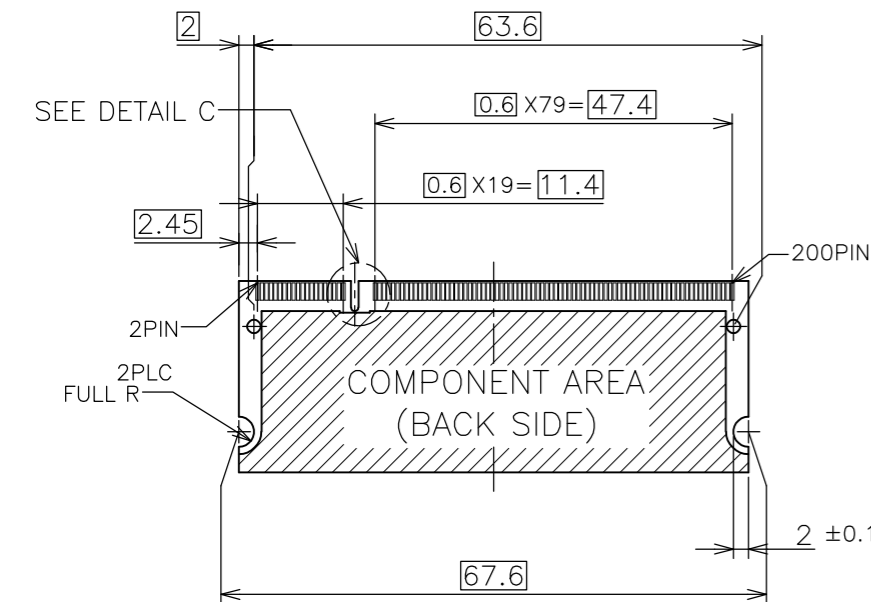
LOC	DIST
J	/

REVISIONS

P	LTR	DESCRIPTION	DATE	DWN	APVD
-	-	SEE SHEET 1	-	-	-



- NOTES: (APPLIED TO SHEET 3)
1. TOLERANCES ON ALL DIMENSIONS ± 0.15 UNLESS OTHERWISE SPECIFIED.
 2. P.C. BOARD THICKNESS APPLIES ACROSS TABS AND INCLUDES PLATING AND/OR METALIZATION.
 3. FINISH OF PAD : GOLD PLATING 0.00076 MIN. OVER Ni PLATING 0.002 MIN.
- △ NO BURR
- △ CHAMFER 0.25 MAX x 45° IF EXIST.



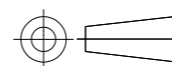
REFERENCE MATING P.C.B CONFIGURATION

31.75	1.8V	17.55	2.4	2.7
25.4	2.5V	18.45	1.5	1.8
A	POWER SUPPLY	D5	D4	D3

THIS DRAWING IS A CONTROLLED DOCUMENT.

DIMENSIONS: 单位: 耗 MM

TOLERANCES UNLESS OTHERWISE SPECIFIED: 一般公差



0 PLC	± -
1 PLC	± -
2 PLC	± -
3 PLC	± -
4 PLC	± -
ANGLES	± -
FINISH 仕上	

MATERIAL 材料

FINISH 仕上

DWN	
CHK	
APVD	
PRODUCT SPEC 製品規格	
APPLICATION SPEC 取付適用規格	
WEIGHT	

TE Connectivity			
SIZE	CAGE CODE	DRAWING NO 番号	RESTRICTED TO
A3	00779	C-2040910	

CUSTOMER DRAWING

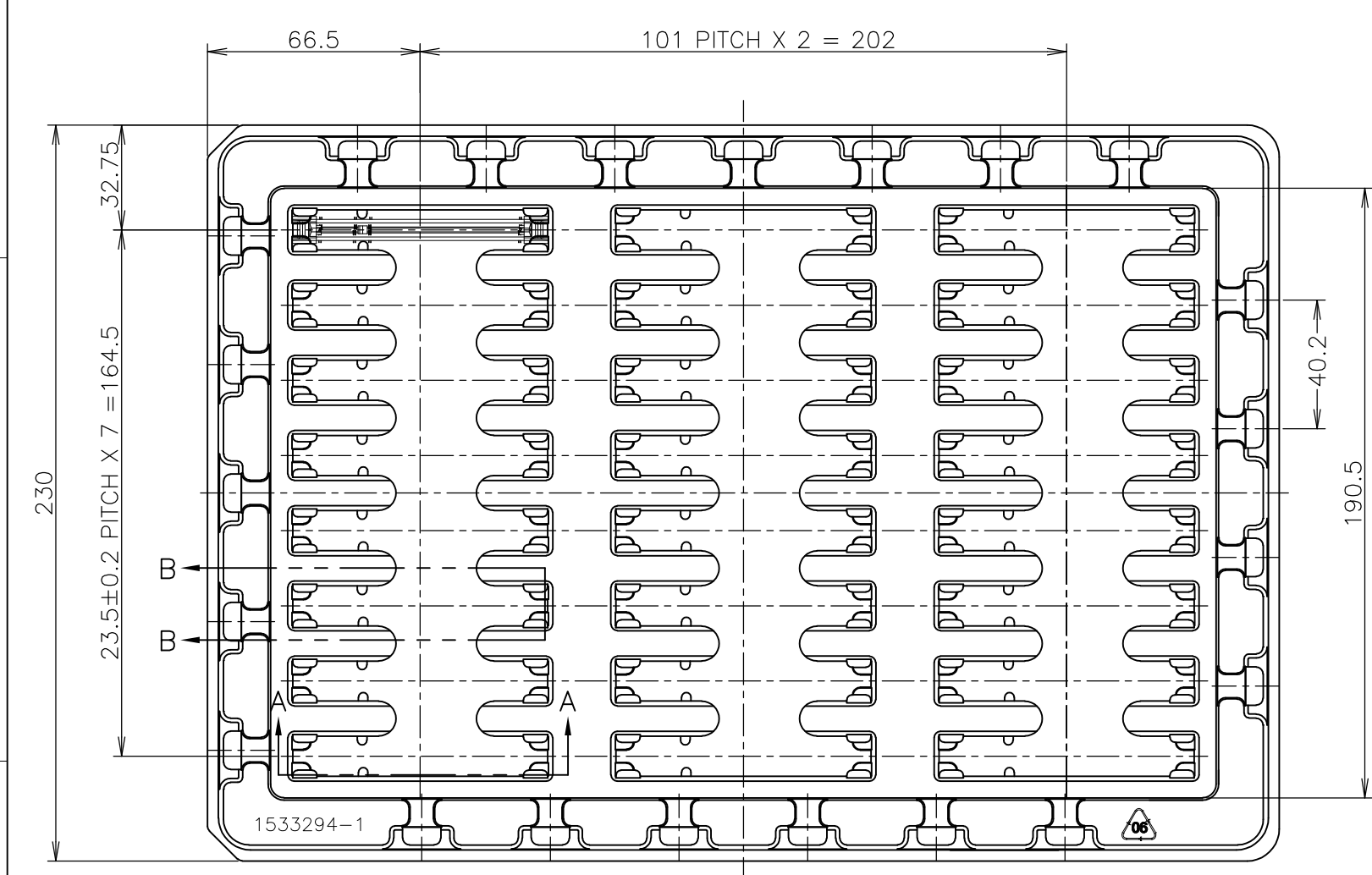
SCALE 尺度 1:1

SHEET 3 OF 4

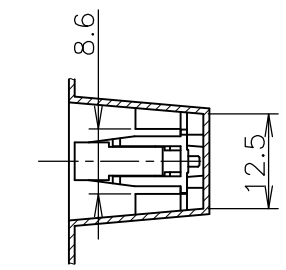
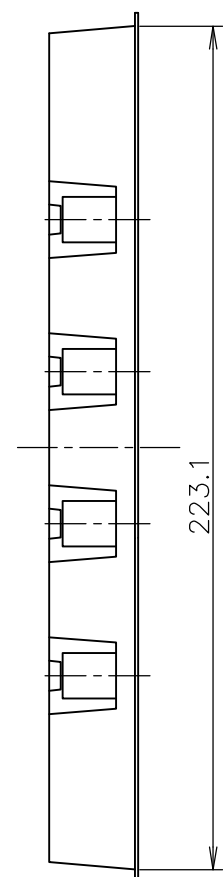
REV D

THIS DRAWING IS UNPUBLISHED. RELEASED FOR PUBLICATION
 © COPYRIGHT - By - ALL RIGHTS RESERVED.

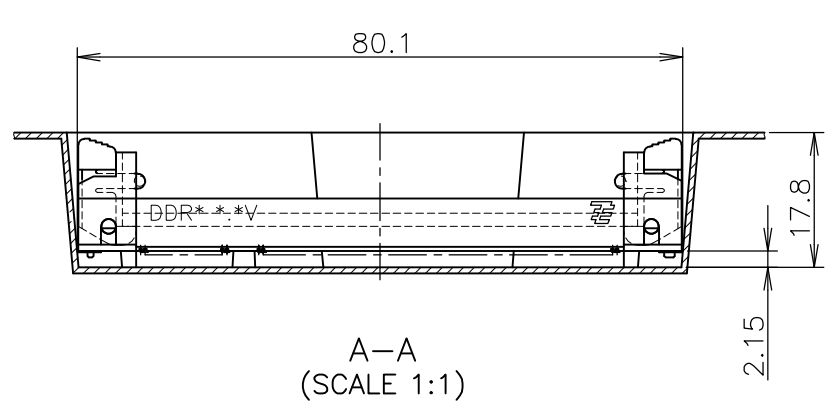
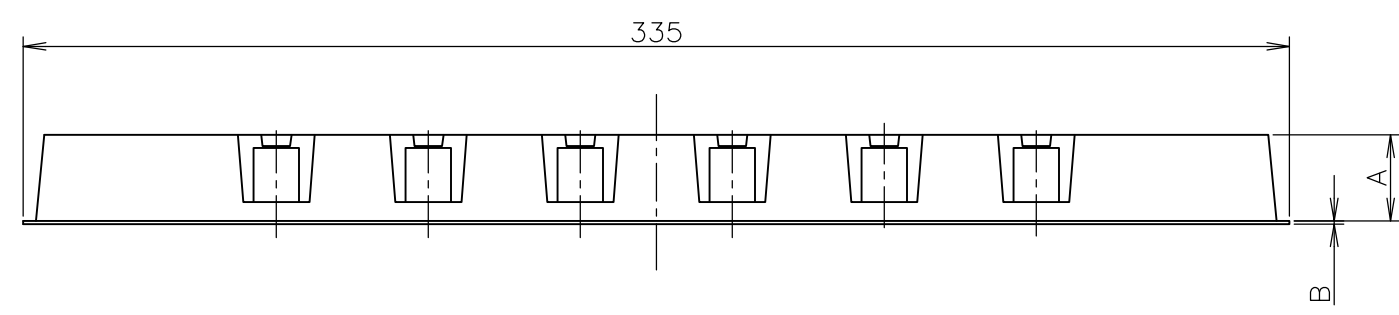
LOC	DIST	REVISIONS					
		P	LTR	DESCRIPTION	DATE	DWN	APVD
J		-		SEE SHEET 1	-	-	-



- (APPLIED TO SHEET 4)
1. THE DIRECTION OF EACH CONNECTOR ON A TRAY IS REFERRED TO THIS DRAWING.
 2. GENERAL TOLERANCE: ±0.5, ±3°



B-B (SCALE 1:1)



A-A (SCALE 1:1)

1.2	18.8	384EA	96EA	24EA	2040910-3
1.2	22.8	384EA	96EA	24EA	2040910-2
1.2	22.8	384EA	96EA	24EA	2040910-1
B	A	QTY/SHIPPING BOX	QTY/INNER BOX	QTY/TRAY	PART NO.

THIS DRAWING IS A CONTROLLED DOCUMENT.

DIMENSIONS: 单位: 耗 MM	TOLERANCES UNLESS OTHERWISE SPECIFIED: 一般公差	DWN	TE Connectivity
0 PLC ± 0.5	1 PLC ± 0.5	CHK	
2 PLC ± 0.5	3 PLC ± 0.5	APVD	NAME 名称
4 PLC ± 0.5	ANGLES ± 3°	PRODUCT SPEC 製品規格	DDR SODIMM SOCKET 0.6mm PITCH 200POS VERTICAL TYPE
MATERIAL 材料	FINISH 仕上	APPLICATION SPEC 取付適用規格	SIZE
		WEIGHT	CAGE CODE
			DRAWING NO 番号
			RESTRICTED TO
			A3 00779 C-2040910
			SCALE 尺度 1:2
			SHEET 4 OF 4
			REV D

CUSTOMER DRAWING