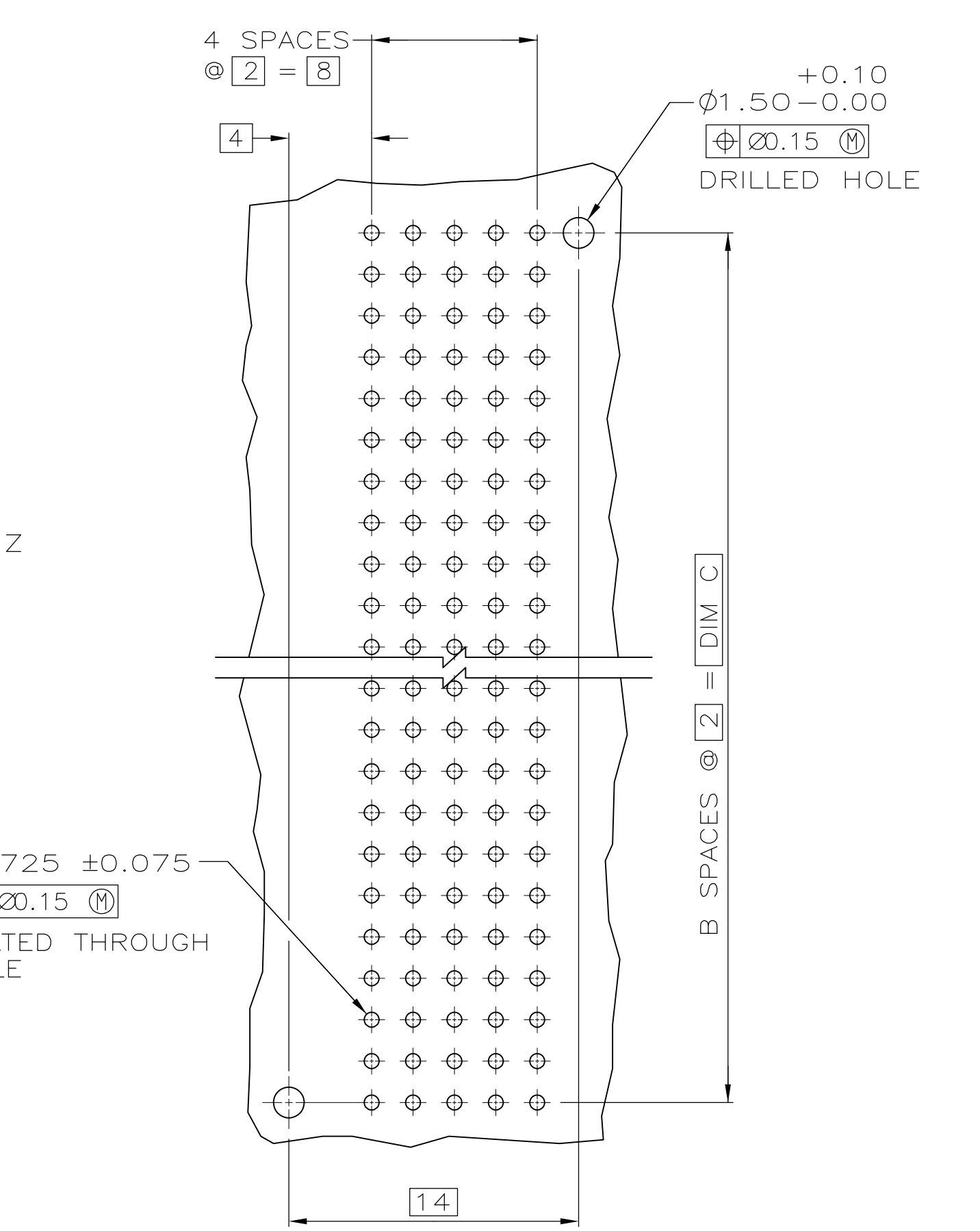
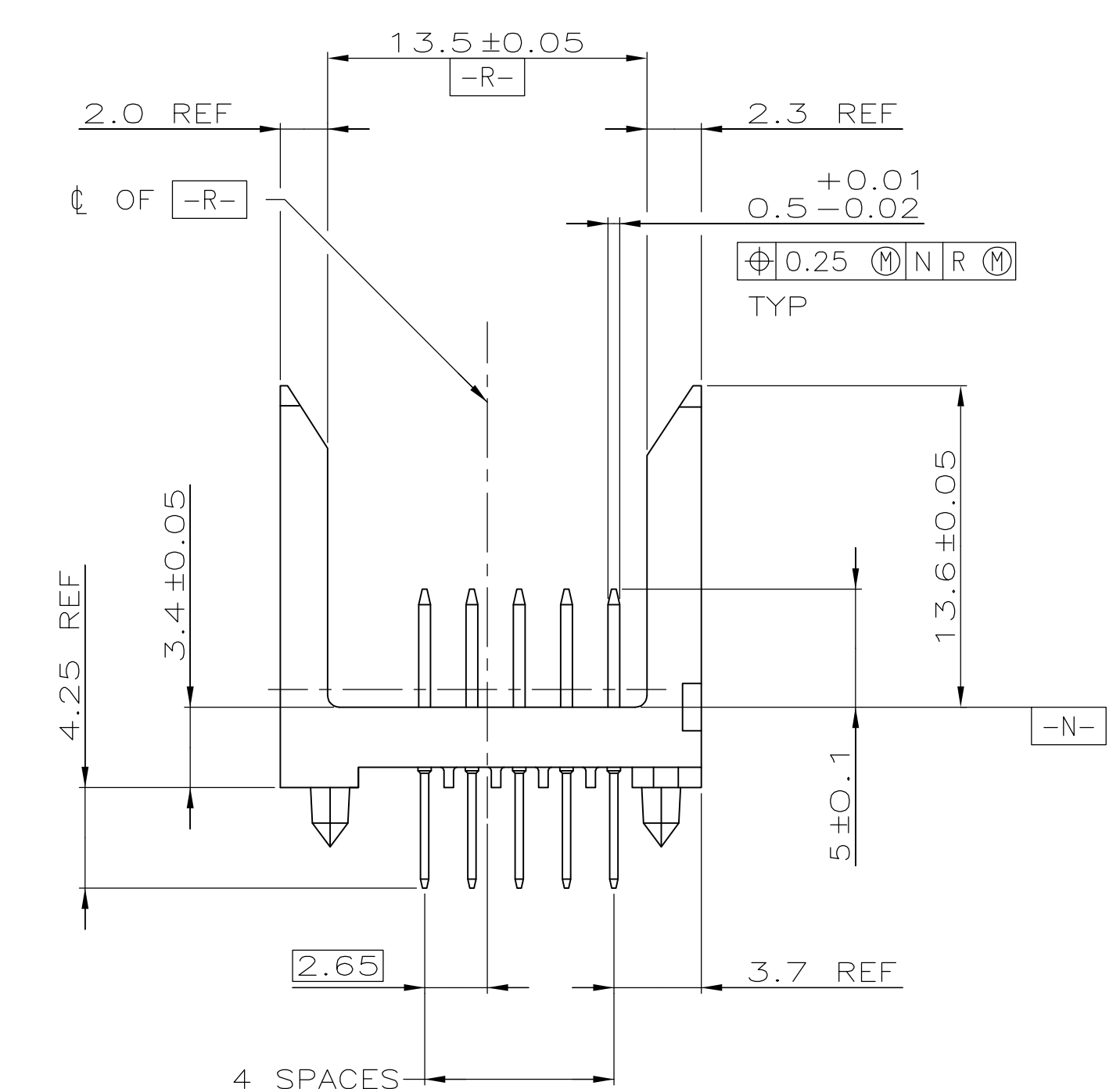
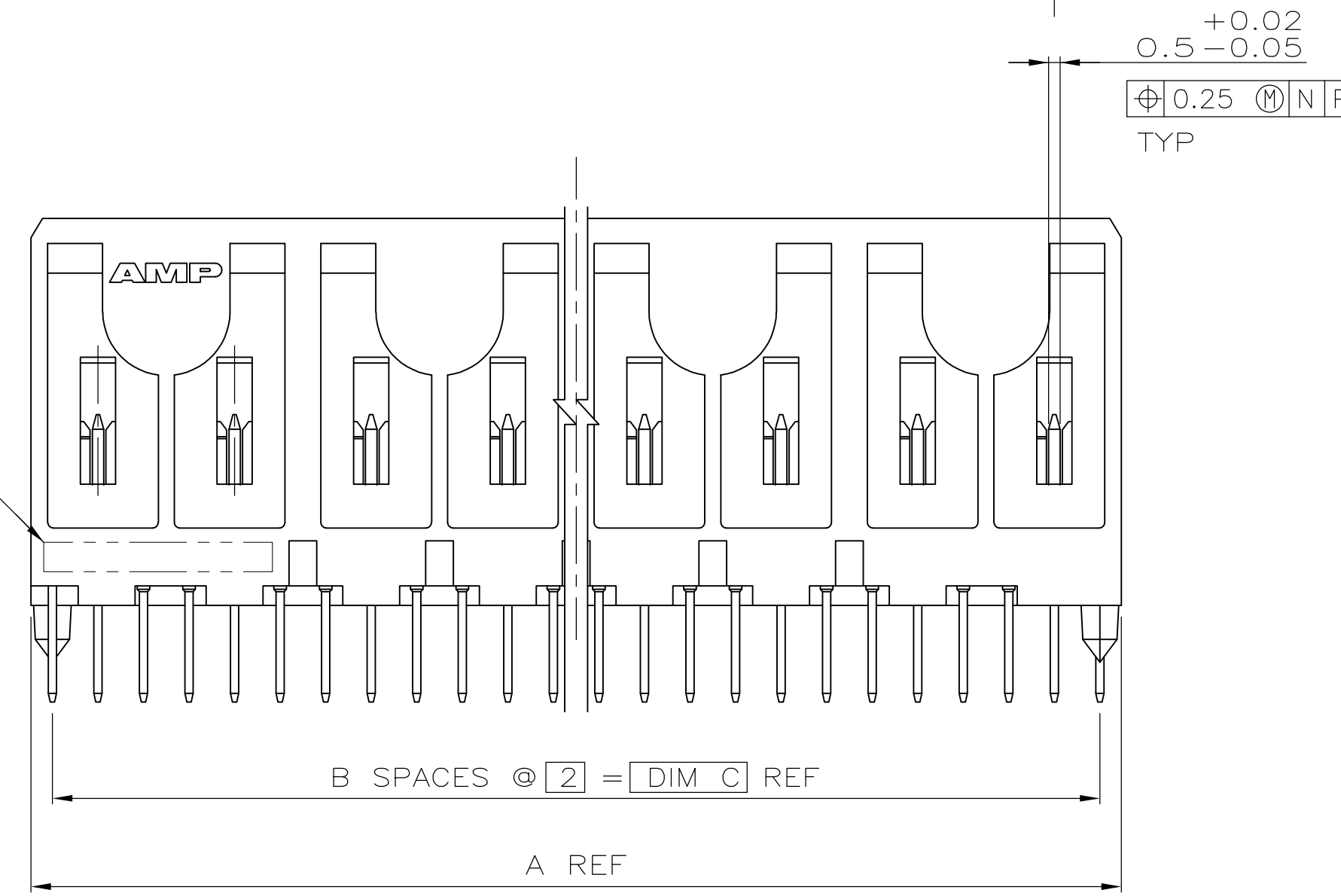
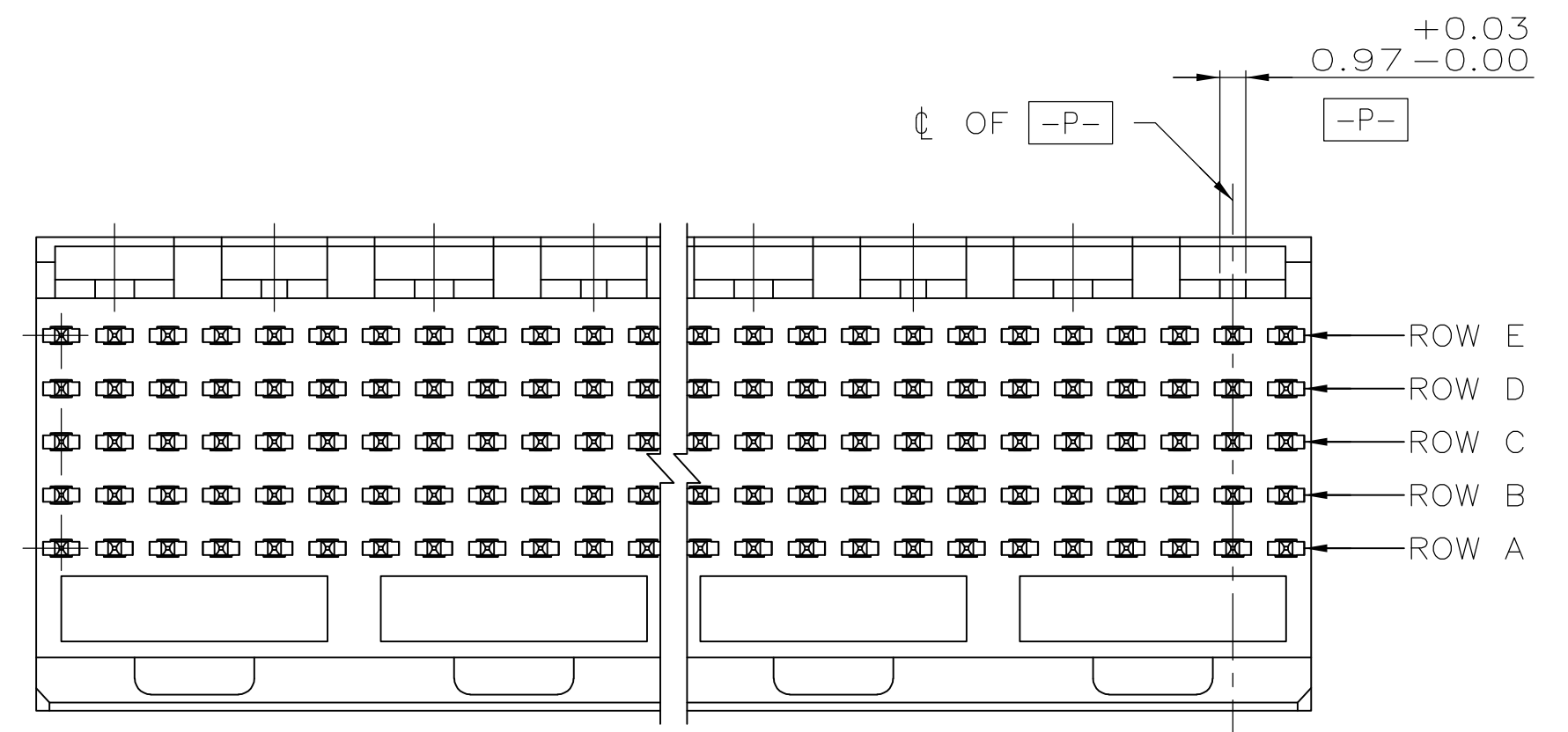
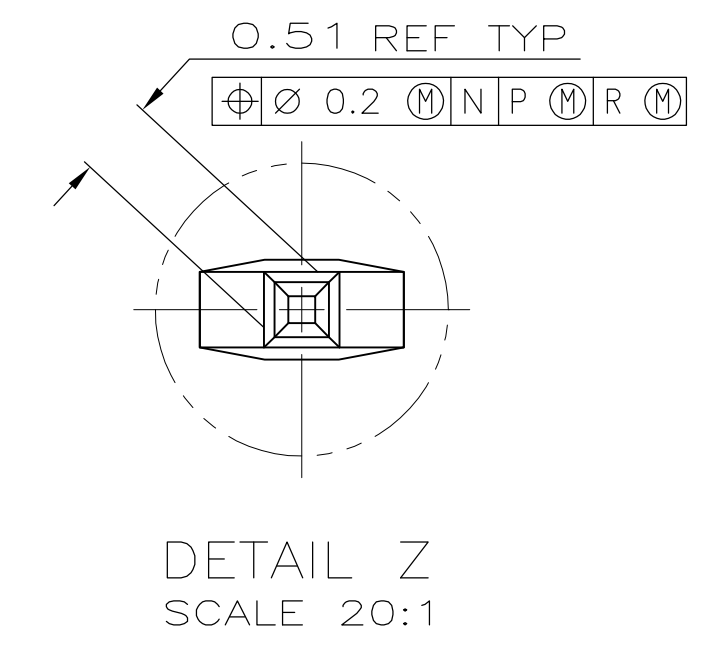


LOC		DIST		REVISIONS				
AD	00	REV	DATE	BY	CHK	APPV		
0		RELEASED PER EC 0512-0317-04	22NOV04	BM	RW			
01		REVISED PER ECO-09-024606	29OCT09	KK	AEG			



RECOMMENDED CIRCUIT PATTERN (COMPONENT SIDE)

- 1 HOUSING MATERIAL: LIQUID CRYSTAL POLYMER
COLOR: NATURAL.
- 2 CONTACT MATERIAL: PHOSPHOR BRONZE
- 3 CONTACT FINISH:(A)
UNDERPLATE (ENTIRE CONTACT):
0.00127 MIN NICKEL PER SAE-AMS-QQ-N-290
ON MATING SURFACES:
CONFORMS TO ALL TESTING SPECIFIED FOR TELCORDIA
UNCONTROLLED ENVIRONMENT.
ON LEADS:
0.00381 MIN MATTE TIN PER ASTM B 545 OVER UNDERPLATE.
LUBRICATION (MIN MATING SURFACES):
SURFACE CONDITIONER AFTER PLATING.
- 4 PART MARKING LOCATED APPROXIMATELY AS SHOWN.
- 5 OBSOLETE PARTS: OBSOLETE CIS STREAMLINING PER D.RENAUD/D.SINISI



OBSOLETE	94	47	95.88	240	5223010-8
	46	23	47.88	120	5223010-4
	22	11	23.88	60	5223010-2
	10	5	11.88	30	5223010-1
C	B	A	NO OF SIGNAL POSN	PART NUMBER	

THIS DRAWING IS A CONTROLLED DOCUMENT.

DIMENSIONS: mm	TOLERANCES UNLESS OTHERWISE SPECIFIED:	DIN B MCMMASTER 22NOV04	Tyco Electronics Corporation
0 PLC ± -	1 PLC ± 0.13	CHK R WERTZ 22NOV04	Harrisburg, Pa 17105-3608
2 PLC ± -	3 PLC ± -	APPV R WERTZ 22NOV04	NAME
4 PLC ± -	ANGLES ± -	PRODUCT SPEC	ASSEMBLY, PIN, SIGNAL, VERTICAL, Z-PACK 2mm FB, 5 ROW, SOLDER LEAD 5mm MATING POST W/ 4.25mm SOLDER LEADS
MATERIAL	FINISH	APPLICATION SPEC	SIZE CAGE CODE DRAWING NO
1	2	3	A1 00779 C=5223010
CUSTOMER DRAWING		WEIGHT	SCALE 4:1 SHEET 1 OF 1 REV 01