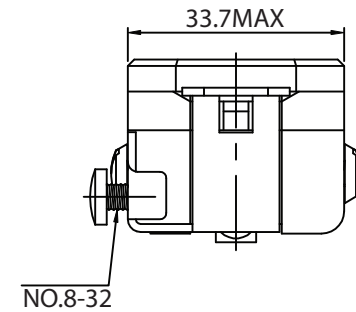
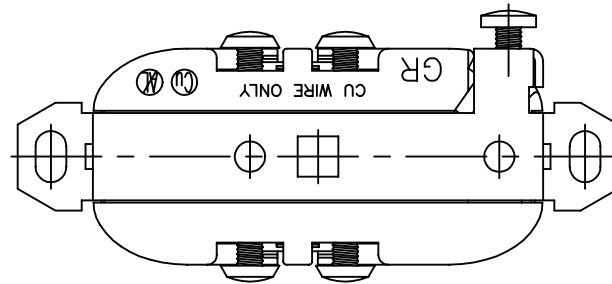
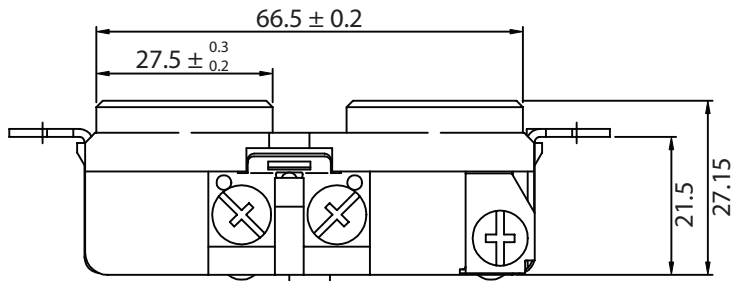
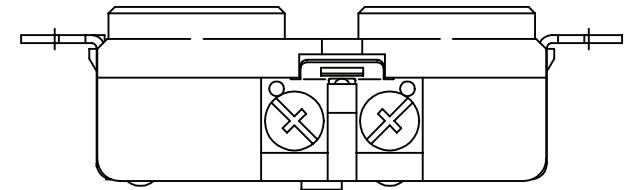
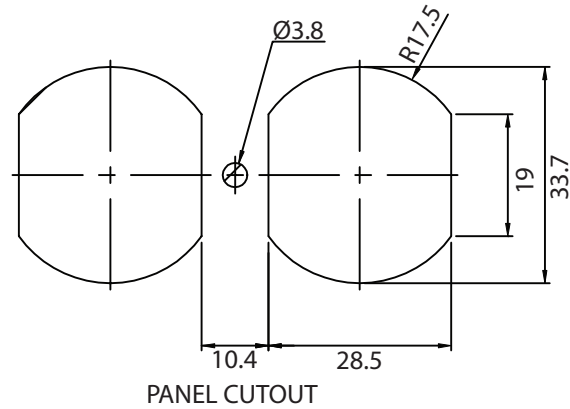
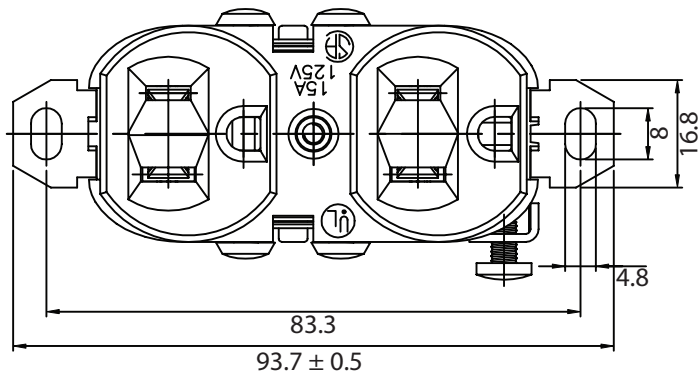


THESE DRAWINGS ARE THE PROPERTY OF QUALTEK ELECTRONICS AND NOT TO BE REPRODUCED FOR OR COMMUNICATED TO A THIRD PARTY WITHOUT THE EXPRESS WRITTEN PERMISSION OF AN OFFICER OF QUALTEK ELECTRONICS.

| REVISION | | | |
|----------|-----------------|----------|----------|
| REV. | DESCRIPTION | DATE | APPROVED |
| B | RoHS Compliancy | 06-01-06 | DP |
| | | | |



CONTROLLED

NOTES:

- USE SOLID COPPER WIRE ONLY
- RATING: 15A 125V
- STRAP-W/OUT PLASTER EARS, NO MTG.SCR.
- SIDE WIRE
- MOLD GATE MARKS PERMISSIBLE
- TERMINAL SCREWS-IN ARE OPTIONAL
- COMBINATION HEAD SCREWS ARE OPTIONAL
- APPROVALS: UL,CSA
- RoHS COMPLIANT

| Dim range (mm) | Tolerance +/- (mm) | Qualtek Electronics Corp. PPC DIVISION | | |
|----------------|--------------------|---|----------------|--|
| | | Part Number: 740W-G/01 | | RoHS Compliant |
| 0-1 | 0.15 | Description: AC RECEPTACLE | | |
| 1-6 | 0.20 | | | |
| 6-18 | 0.30 | | | |
| 18-50 | 0.50 | | | |
| 50-120 | 0.70 | UNIT: mm | REV. B | |
| 120-250 | 0.90 | Drawn / Date | Checked / Date | Approved / Date |
| 250-500 | 1.20 | K.Huang 11-21-98 | 11-21-98 | JJH / 11-21-98 |