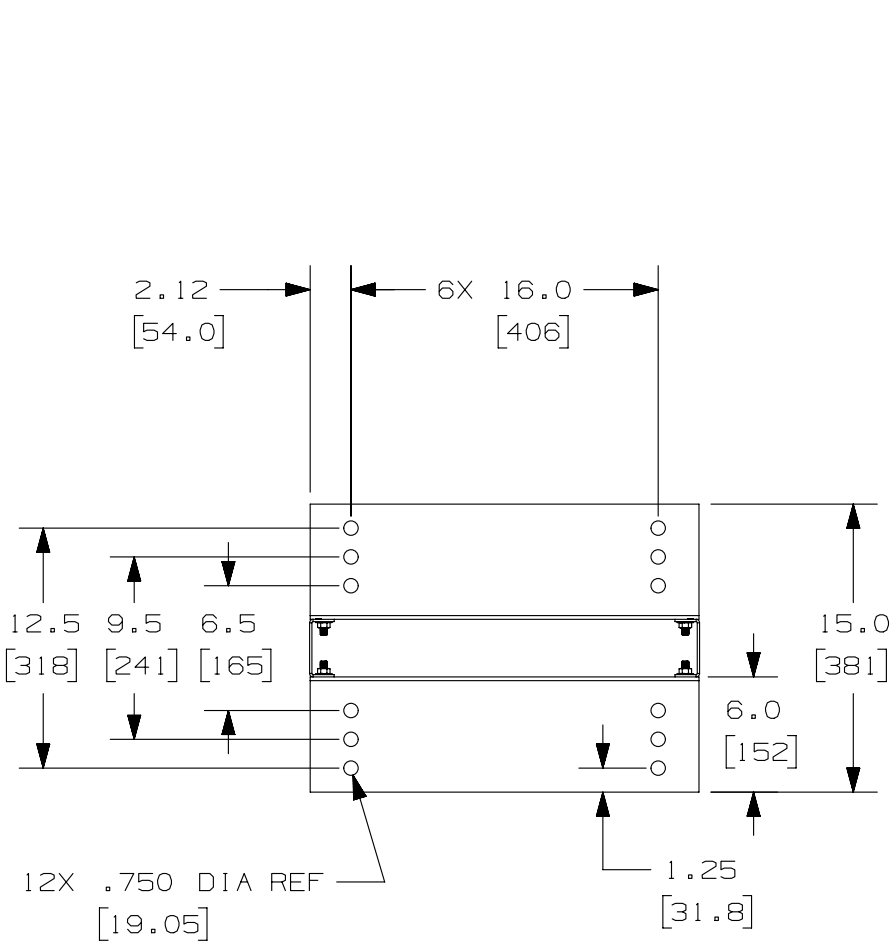
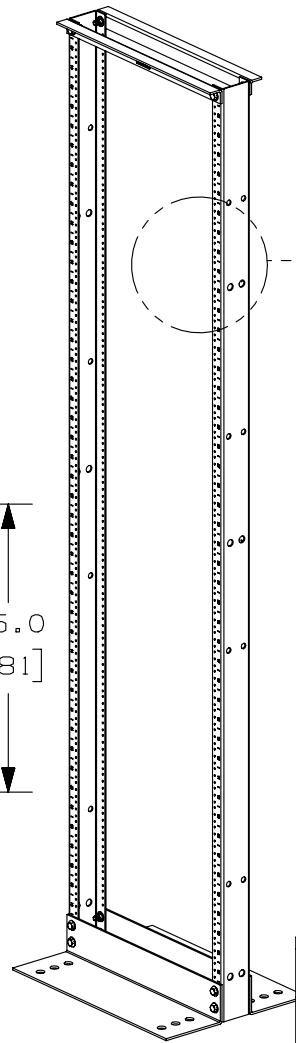


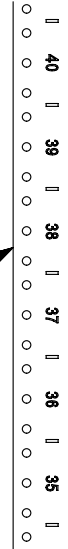
THIS COPY IS PROVIDED ON A RESTRICTED BASIS AND IS NOT TO BE USED IN ANY WAY DETRIMENTAL TO THE INTERESTS OF PANDUIT CORP.



12X .750 DIA REF [19.05]
 FLOOR MOUNTING HOLE
 (2 PLACES ON EACH
 BASE BRACKET)



CLOSE UP VIEW
 OF VERTICAL CHANNEL



TITLE		7 FOOT STEEL CABLE MANAGEMENT RACK (R2PS)	
		CUSTOMER DRAWING	
ITEM REVISION NAME		09V064AE/01	
DATASET FILE NAME		09V064AE_DC/01A	
UNLESS OTHERWISE SPECIFIED, DIMENSIONAL TOLERANCES ARE: IN (mm)		MATERIAL:	
.X ±		.XXX ±	
.XX ±		ANGLES ±	
THIRD ANGLE PROJECTION		DRAWING NUMBER:	
DRAWN BY		09V064AE-DC	
DATE		09V064AE-DC	
CHK		SHT 2 OF 2	
SCALE		A	
NONE			

REV	DATE	BY	CHK	APR	DESCRIPTION	ECN
01A	11-14-13	BAME	PM	CMK	SEE SHEET 1 OF 2 FOR REVISIONS	09V064AE-DC
00A	5-28-10	BAME	DPN	CMK	SEE SHEET 1 OF 2 FOR REVISIONS	09V064AE-DC

D101000DA/16