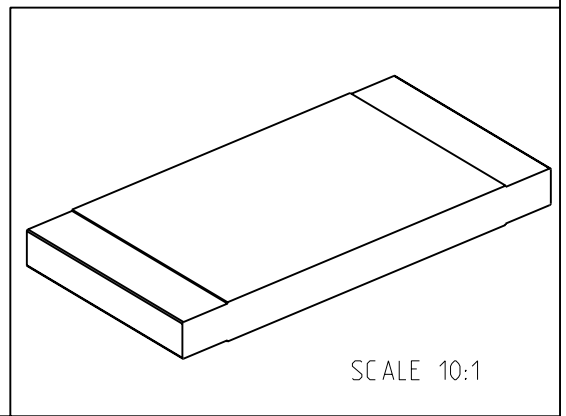


LOC	DIST	REVISIONS			
P	LTR	DESCRIPTION	DATE	DWN	APVD
E	B	BA1	REVISED PER ECO-11-005150	11MAY2011	RK HMR

FOR FURTHER INFORMATION SEE DATA SHEET FOR SERIES TL3A - SMD LOW-OHMIC CURRENT SENSE RESISTORS



RoHS Compliant




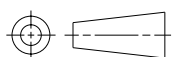
2009

RELEASED FOR PUBLICATION

ALL RIGHTS RESERVED.

THIS DRAWING IS UNPUBLISHED.

© COPYRIGHT 2009

DIMENSIONS:		DWN	07-JAN-09	MATERIAL	FINISH	
mm		SUBHASH.M		-	-	
TOLERANCES UNLESS OTHERWISE SPECIFIED:		CHK	07-JAN-09	 TE Connectivity		
0 PLC ±0.2		PRAKASH.S				
1 PLC ±0.1		APVD	07-JAN-09	NAME SMD LOW-OHMIC CURRENT SENSE RESISTORS SERIES TL3A		
2 PLC ±		STEPHEN.P				
3 PLC ±		PRODUCT SPEC		SIZE	CAGE CODE	DRAWING NO
4 PLC ±		APPLICATION SPEC		A 4	00779	C-1625827
ANGLES ±5°		WEIGHT	-	RESTRICTED TO		-
		CUSTOMER DRAWING		SCALE	SHEET	OF
				20:1	1	1
				REV		BA1