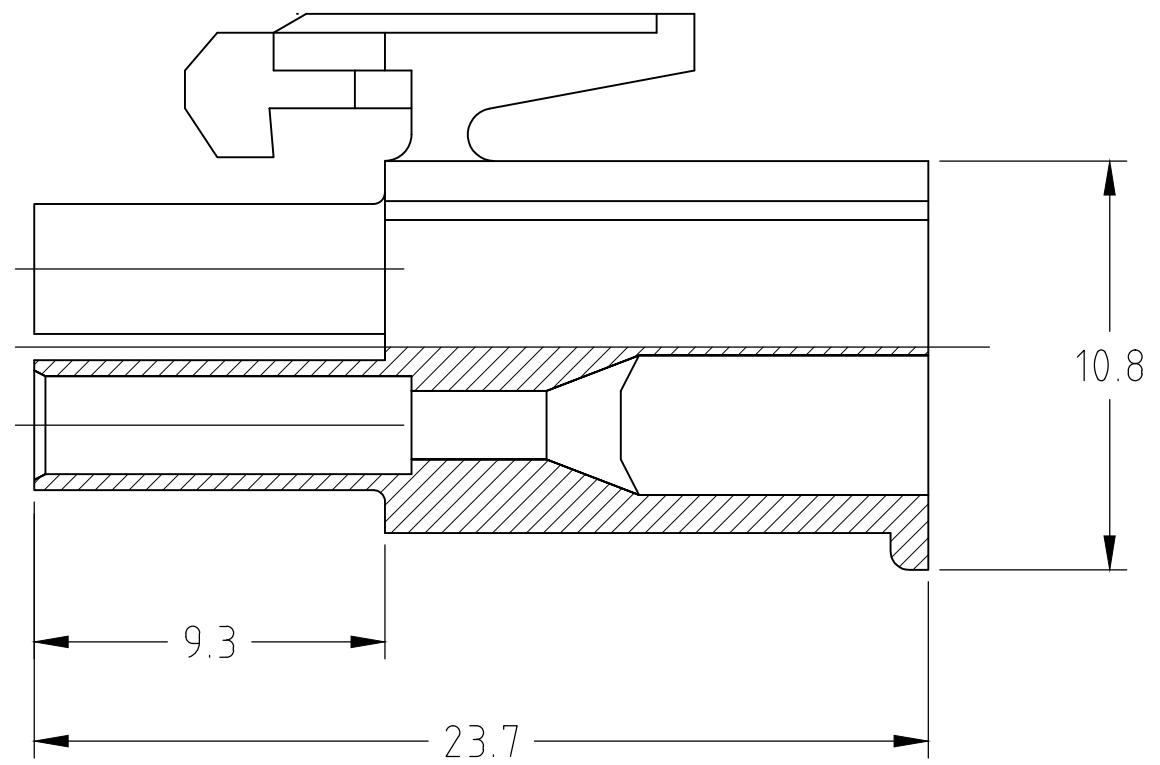
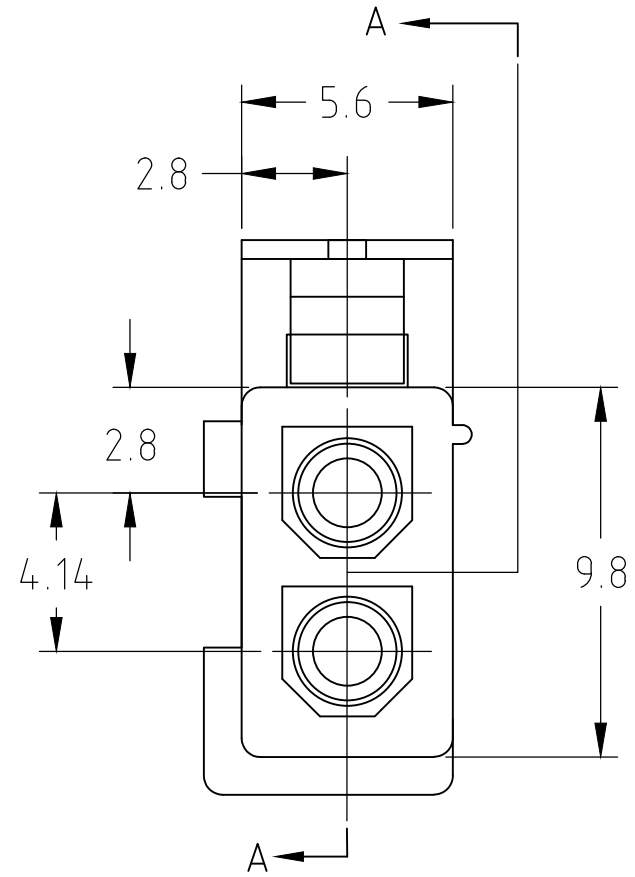
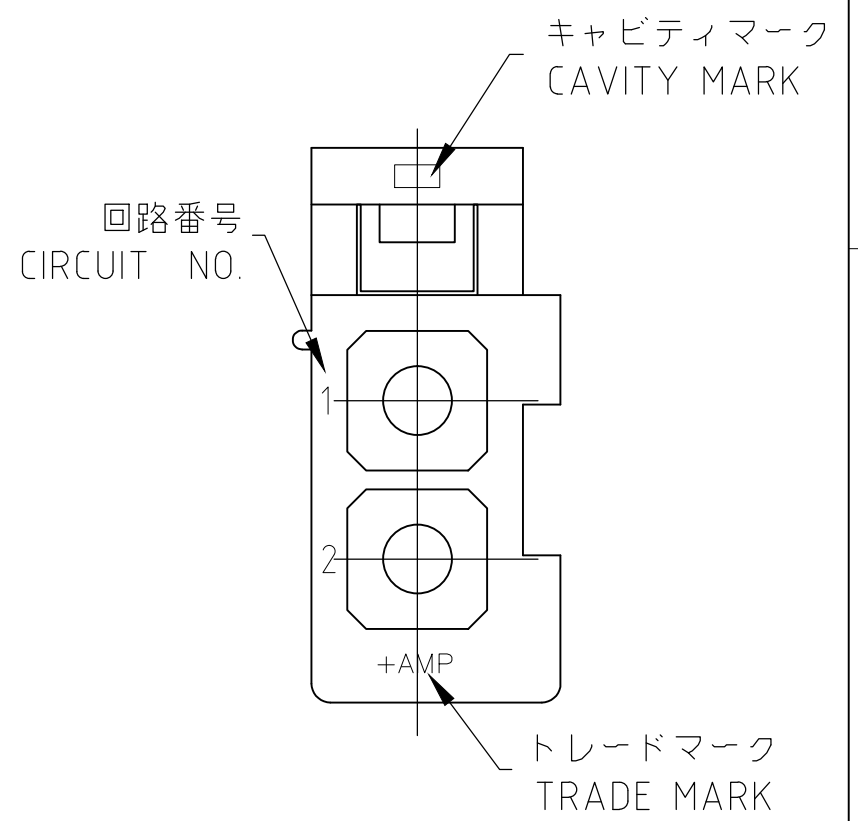


THIS DRAWING IS UNPUBLISHED. RELEASED FOR PUBLICATION  
 © COPYRIGHT - TE Connectivity ALL RIGHTS RESERVED.

REVISIONS					
P	LTR	DESCRIPTION	DATE	DWN	APVD
	D	REVISED ECO-14-017402	17MAY2017	CX	DZ



SECT A-A

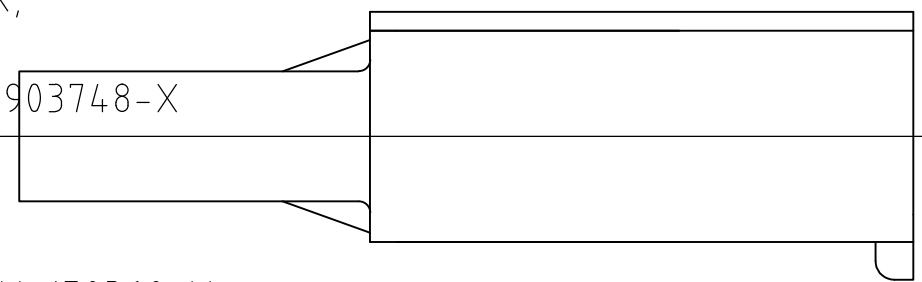


注記

1. 一般公差: ±0.3
2. 使用端子型番: X-170359-X, X-170360-X, X-170361-X, X-170362-X
3. かん合相手ハウジング型番: 1903746-X, 1903748-X

NOTES

1. GENERAL TOLERANCE: ±0.3
2. APPLICABLE CONT P/N: X-170359-X, X-170360-X, X-170361-X, X-170362-X
3. MATING CONN P/N: 1903746-X, 1903748-X



6/6ナイロン(SCHULAMID)ガラス強化 UL94V-2 66NYLON (SCHULAMID) GF UL94V-2	自然色 NATURAL	1903747-2
6/6ナイロン(SCHULAMID) UL94V-2 66NYLON (SCHULAMID) UL94V-2	自然色 NATURAL	1903747-1
材料 MATERIAL	色調 COLOR	型番 PART NUMBER

THIS DRAWING IS A CONTROLLED DOCUMENT.		DWN J.SATO 20FEB2006	TE Connectivity		
DIMENSIONS: 単位: 耗 mm		CHK N.YAMASAKI 20FEB2006			
TOLERANCES UNLESS OTHERWISE SPECIFIED: 一般公差		APVD N.YAMASAKI 20FEB2006	NAME 名称 MINI UNIVERSAL MATE-N-LOK PLUG HOUSING 2POS		
0 PLC ± 1 PLC ± 2 PLC ± 3 PLC ± 4 PLC ± ANGLES ±		PRODUCT SPEC 製品規格 108-78359	RESTRICTED TO —		
MATERIAL 材料 SEE TABLE		FINISH 仕上	APPLICATION SPEC 取付適用規格	SIZE A3	CAGE CODE 00779
		WEIGHT 0.000000	DRAWING NO 番号 C-1903747	SCALE 尺度 4:1	
CUSTOMER DRAWING			SHEET 1 OF 1		REV D