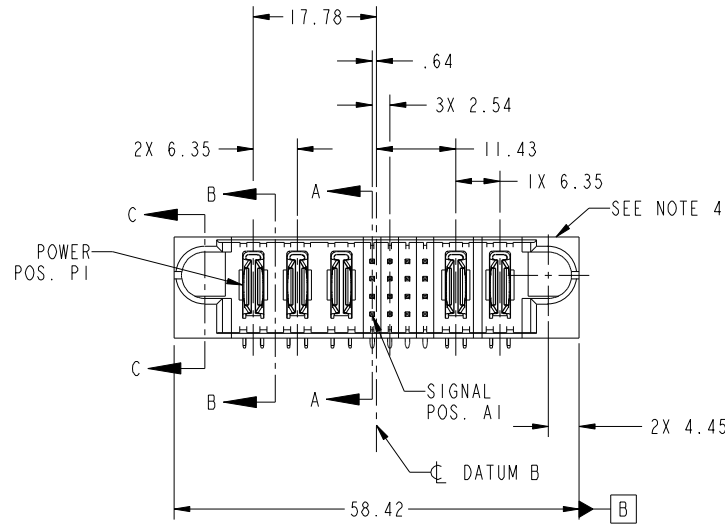


Tous droits strictement réservés. Reproduction ou communication a des tiers interdite sous quelque forme que ce soit sans autorisation écrite du propriétaire. Propriété de c FCI. Droits de reproduction FCI.

All rights strictly reserved. Reproduction or issue to third parties in any form whatever is not permitted without written authority from the proprietor. Property of FCI. Copyright FCI.



PRODUCT NO.	ROWS	POWER			SIGNAL				POWER		E2	
		E1	P1	P2	P3	1	2	3	4	P4		P5
51730-154... NOTE 3	D C B A		PA	PA	PA	H T G S E	H T G S E	H T G S E	H T G S E	PA	PA	



CODE	DIM "M" MATING LENGTH	CONTACT TYPE
H	[5.59]	SIGNAL
F	[5.59]	SIGNAL
E	[5.59]	SIGNAL
G	[5.59]	SIGNAL
PA	[N/A]	POWER
S	[6.86]	SIGNAL
T	[6.86]	SIGNAL
R	[6.86]	SIGNAL

mat'l code				SEE NOTE		tolerances unless otherwise specified		CUSTOMER		 www.fciconnect.com	
ltr	ecn no.	dr	date	linear		0.X ± 0.5		COPY		title	
A	DG08-0324	SH	11/20/08			0.XX ± 0.25		projection		3P + 16S + 2P RIGHT ANGLE SOLDER HEADER	
				angles		0.XXX ± 0.1				product family PwrBlade code 213	
				dr	Sincere He	10/09/08		MIM		size	dwg no
				enr	Sincere He	10/09/08				A	51730-154
				chr	Gary Hsieh	10/09/08		scale		sheet 1 of 4	
				appd	Joseph Hsia	10/09/08		1:1			
sheet index	revision sheet	A	A	A	A					cage code 22526	
		1	2	3	4						

Pro/E

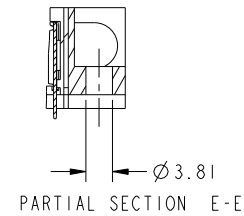
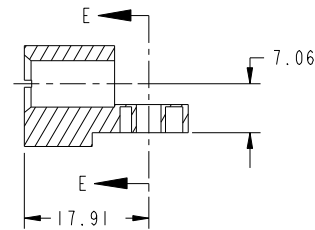
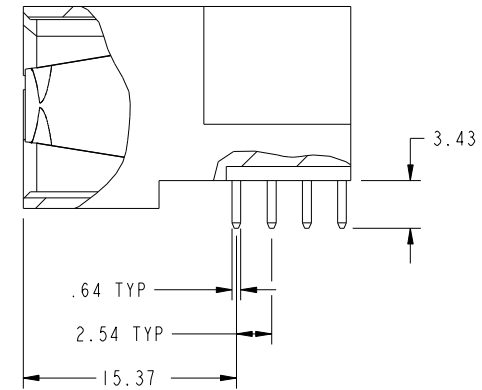
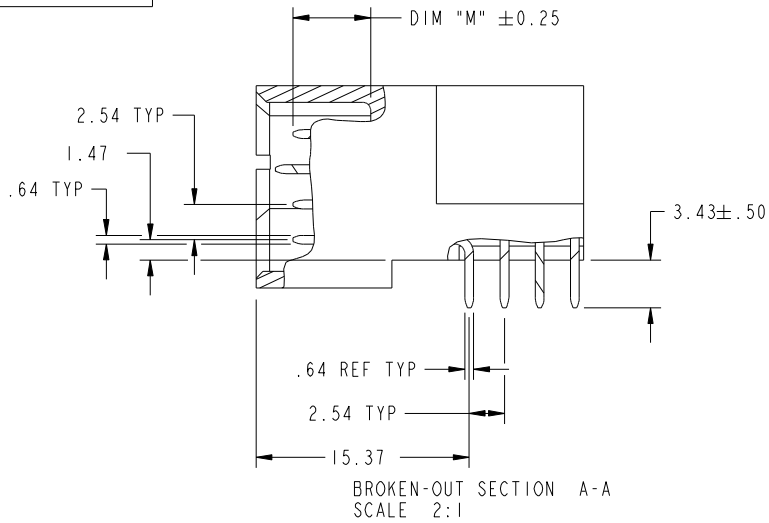
cage code 22526

Tous droits strictement reserves. Reproduction ou communication a des tiers interdite sous quelque forme que ce soit sans autorisation écrite du propriétaire. Propriete de c FCI. Droits de reproduction FCI.

All rights strictly reserved. Reproduction or issue to third parties in any form whatever is not permitted without written authority from the proprietor. Property of FCI. Copyright FCI.



PRODUCT NUMBER
51730-154__
NOTE: 3



mat'l code				SEE NOTE		tolerances unless otherwise specified		CUSTOMER		FCI	
ltr	ecn no.	dr	date	linear	0.X ±0.5	COPY		projection		www.fciconnect.com	
A					0.XX ±0.25	MIM		title		3P + 16S + 2P	
				angles	0.XXX ±0.1	1:1		product family		PwrBlade	
				dr	0° ±2°	scale		size		code	
				enr	Sincere He 10/09/08	A		dwg no		213	
				chr	Sincere He 10/09/08	A		51730-154		sheet	
				appd	Gary Hsieh 10/09/08	A		2 of 4			
					Joseph Hsia 10/09/08						
sheet index		revision sheet									

cage code 22526

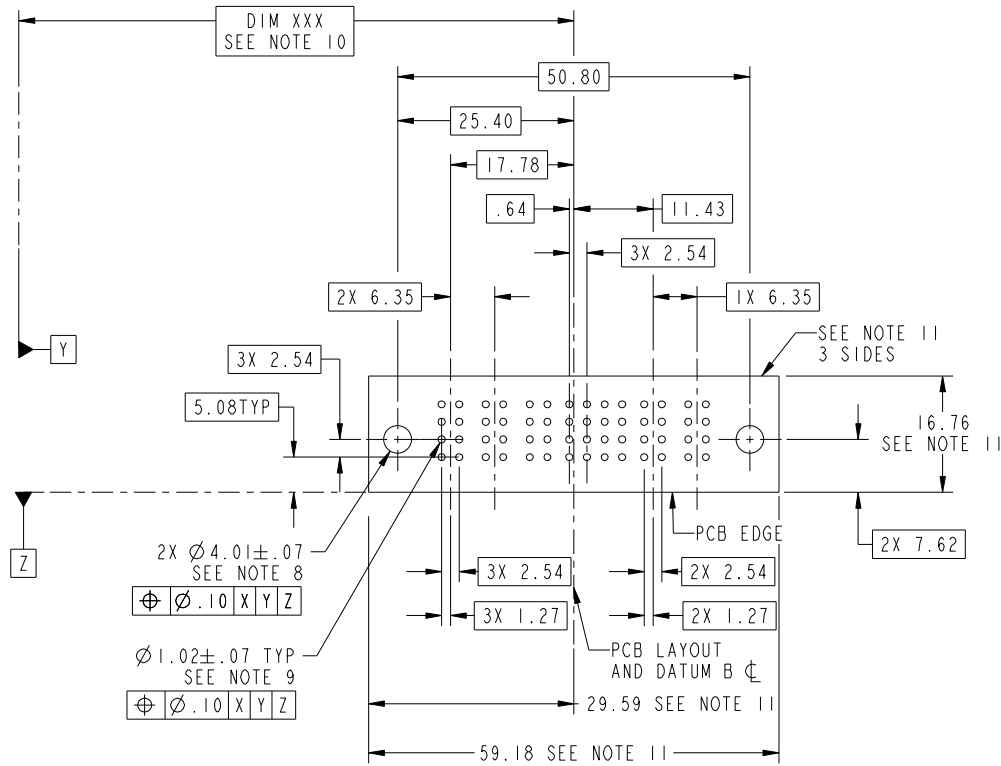
Pro/E

Tous droits strictement reserves. Reproduction ou communication a des tiers interdite sous quelque forme que ce soit sans autorisation écrite du propriétaire. Propriete de c FCI. Droits de reproduction FCI.



All rights strictly reserved. Reproduction or issue to third parties in any form whatever is not permitted without written authority from the proprietor. Property of FCI. Copyright FCI.

PRODUCT NUMBER
51730-154__
NOTE: 3



RECOMMENDED PCB LAYOUT

mat'l code		SEE NOTE		tolerances unless otherwise specified		CUSTOMER		FCI	
ltr	ecr no.	dr	date	linear	0.X ± 0.5	COPY		www.fciconnect.com	
A					0.XX ± 0.25	projection		title	
				angles	0.XXX ± 0.1			3P + 16S + 2P RIGHT ANGLE SOLDER HEADER	
				dr	Sincere He 10/09/08	MIM		product family PwrBlade code	
				enr	Sincere He 10/09/08			size 213	
				chr	Gary Hsieh 10/09/08	scale		dwg no 51730-154 sheet	
				appd	Joseph Hsia 10/09/08	1:1		3 of 4	
sheet index	revision sheet								

cage code 22526

Pro/E

Tous droits strictement reserves. Reproduction ou communication a des tiers interdite sous quelque forme que ce soit sans autorisation écrite du propriétaire. Propriete de c FCI. Droits de reproduction FCI.



All rights strictly reserved. Reproduction or issue to third parties in any form whatever is not permitted without written authority from the proprietor. Property of FCI. Copyright FCI.

PRODUCT NUMBER
51730-154__
NOTE: 3

NOTES:

1. DIMENSIONS AND TOLERANCES ARE IN ACCORDANCE WITH ASME Y14.5M, 1994 UNLESS OTHERWISE SPECIFIED.

CONNECTOR NOTES:

- 2. HOUSING MATERIAL: UL 94 V-0 GLASS FILLED
HIGH-TEMP THERMOPLASTIC
POWER CONTACT MATERIAL: COPPER ALLOY
SIGNAL PIN MATERIAL: COPPER ALLOY
- 3. SEE ITEM 1 & 2 IN PRINT 10064183 FOR PLATING SPEC OF 51730-154 AND 51730-154LF RESPECTIVELY
- 4. MANUFACTURER'S NAME, P/N, AND DATE CODE TO APPEAR ON THIS SURFACE.
- 5. PRODUCT SPECIFICATION GS-12-149.
APPLICATION SPECIFICATION BUS-20-067.
- 6. PACKAGED IN TRAYS.

PCB NOTES:

- 7. ALL HOLE DIAMETERS ARE FINISHED HOLE SIZE.
- 8. MOUNTING HOLES, WHERE APPLICABLE, ARE UNPLATED.
- 9. $\varnothing 1.151 \pm 0.025$ DRILLED HOLES PLATED WITH
0.008 MIN SnPb OR Sn OVER 0.03
TO 0.08 Cu PLATING TO ACHIEVE
 $\varnothing 1.02 \pm .07$ HOLE.
- 10. "DIM XXX" TO BE DETERMINED BY THE CUSTOMER.
- 11. CONNECTOR KEEP-OUT ZONE.

mat'l code		SEE NOTE		tolerances unless otherwise specified		CUSTOMER		FCI		www.fciconnect.com		
ltr	ecr no.	dr	date	linear	0.X ± 0.5	COPY				title		
A					0.XX ± 0.25	projection				3P + 16S + 2P		
				angles	0.XXX ± 0.1					RIGHT ANGLE SOLDER HEADER		
				dr	Sincere He 10/09/08	MIM		product family		PwrBlade	code	
				enr	Sincere He 10/09/08			size		dwg no	213	
				chr	Gary Hsieh 10/09/08	scale		A		51730-154	sheet	
				appd	Joseph Hsia 10/09/08	1:1				4 of 4		
sheet index		revision sheet										

cage code 22526

Pro/E