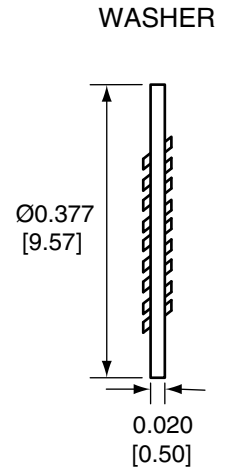
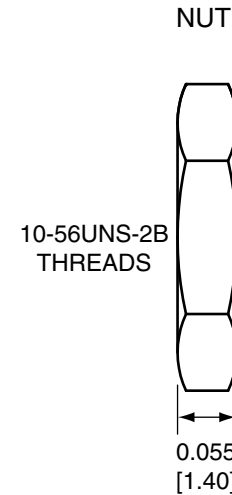
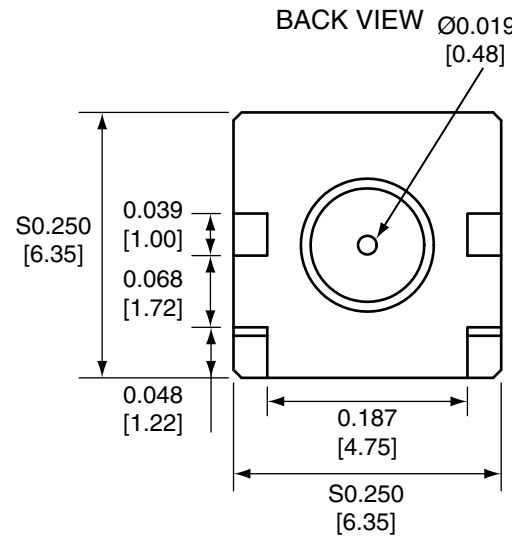
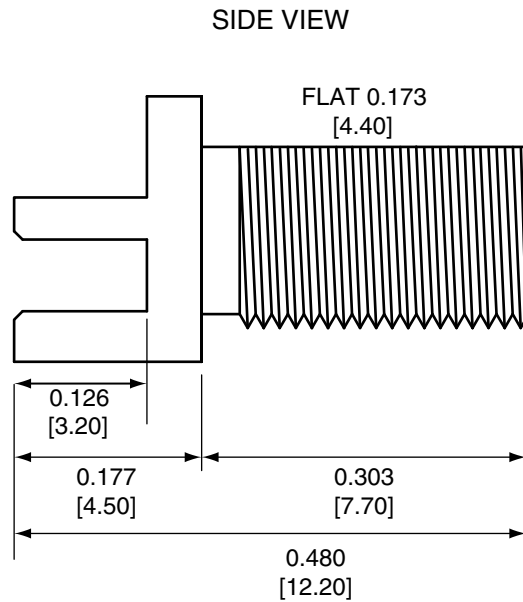
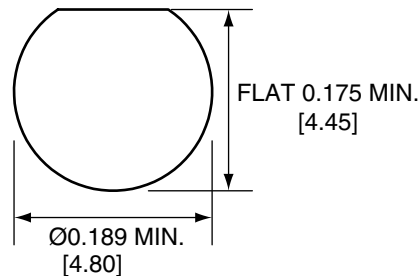


Description	Material	Finish
Body	Brass	Gold
Socket	Be Cu	Gold
Insulation	PTFE	N/A
Washer	Brass	Gold
Nut	Brass	Gold

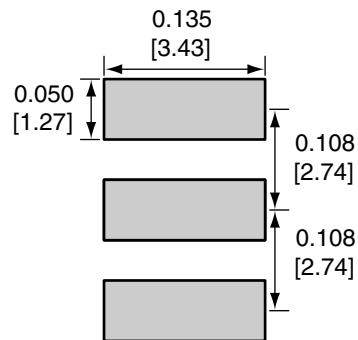
REVISIONS			
REV	DESCRIPTION	DATE	APPV
B	Added new title block; Updated footprint dimensions	11-JUL-12	SAH
C	Updated thread dimensions and recommended mounting hole dimensions	16-JAN-14	SAH



RECOMMENDED MOUNTING HOLE



RECOMMENDED FOOTPRINT



NOTES: (UNLESS OTHERWISE SPECIFIED)

1. ALL DIMENSIONS ARE IN INCHES [mm].
2. DIMENSIONS APPLY AFTER FINISHING.
3. MANUFACTURE TO BE COMPLIANT WITH EU RoHS DIRECTIVE.
4. SAFETY BREAK ALL SHARP CORNERS AND EDGES .02 MAXIMUM.

WARNING: THIS DRAWING CONTAINS PROPRIETARY INFORMATION THAT IS THE SOLE PROPERTY OF LINX TECHNOLOGIES, AND SHALL BE TREATED AS SUCH. NO DISCLOSURE OR REPRODUCTION OF THIS DOCUMENT IS PERMITTED, IN WHOLE OR IN PART, WITHOUT THE EXPRESS WRITTEN PERMISSION OF LINX TECHNOLOGIES OR ITS DESIGNATED AGENTS.

MATERIAL:	TOLERANCES: .020 [0.50]-.200 [5.00]= ±.008 [0.20] .200 [5.00]-1.200 [30.00]= ±.016 [0.40] 1.20 [30.0]-4.75 [120.0]= ±.024 [0.60] 4.75 [120.0]-12.40 [315.0]= ±.040 [1.0]	PROJECTION: 
FINISH:	DRAWN: B.MURPHY	DT: 11-JUL-12
	ENGR: S.HOGAN	DT: 16-JAN-14

159 ORT LANE MERLIN, OR 97532		TITLE:	
		MCX FEMALE EDGE MOUNT FOR 0.062" THICK BOARD, EXTENDED	
SIZE	DWG. NO.	REV	
A	CONMCX003.062-L	C	
SCALE: 2:1	DO NOT SCALE DRAWING	SHEET 1 OF 1	