

THE INFORMATION CONTAINED HEREIN IS CONSIDERED "PROPRIETARY" TO BEL FUSE INC. AND SHALL NOT BE COPIED, REPRODUCED OR DISCLOSED WITHOUT THE WRITTEN APPROVAL OF BEL FUSE INC.

RoHS
2002/95/EC



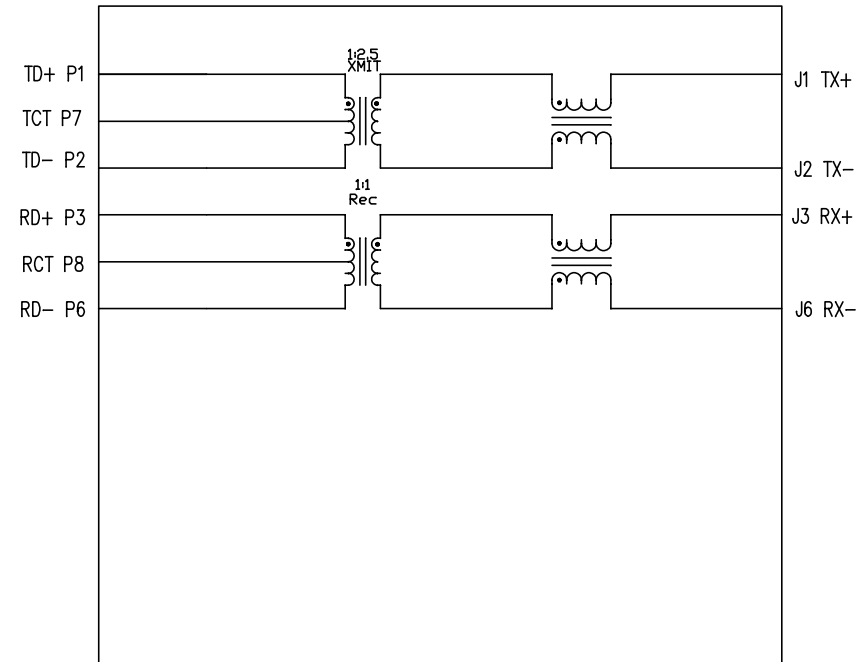
ELECTRICAL SPECIFICATIONS:

- | | | |
|-----|--|---|
| 1.0 | Turns Ratio: (P6-P8-P3) : (J6-J3)
(P2-P7-P1) : (J2-J1) | : 1CT : 1 ±3%
: 1CT : 2.5 ±3% |
| 2.0 | Inductance: (P6-P3)
(P2-P1) | : 200uH MIN. @ 0.01V, 10KHz
: 35uH MIN. @ 0.01V, 10KHz |
| 3.0 | Leakage Inductance: P6-P3 (WITH J6 AND J3 SHORT)
P2-P1 (WITH J2 AND J1 SHORT) | : 0.3uH MAX. @ 1MHz
: 0.3uH MAX. @ 1MHz |
| 4.0 | Interwinding Capacitance: (P6,P3) TO (J6,J3)
(P2,P1) TO (J2,J1) | : 10pf MAX @ 1MHz
: 10pf MAX. @ 1MHz |
| 5.0 | DC Resistance: (J6-J3)=(J2-J1)
(P6-P8)=(P8-P3)
(P2-P7)=(P7-P1) | : 1.0 ohms Max.
: 0.3 ohms Max.
: 0.3 ohms Max. |
| 6.0 | Dielectric Withstand: (P6,P3) TO (J6,J3)
(P2,P1) TO (J2,J1) | : 1500Vrms
: 1500Vrms |

PINS

SCHEMATIC

RJ45



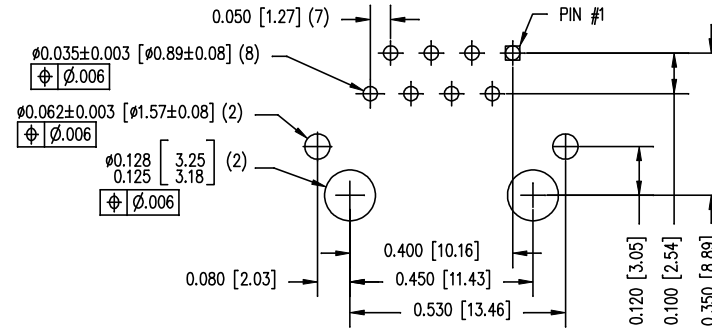
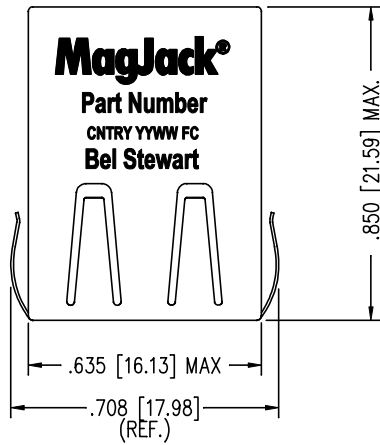
NOTES

PINS WITHOUT ELECTRICAL CONNECTION ARE OMITTED.

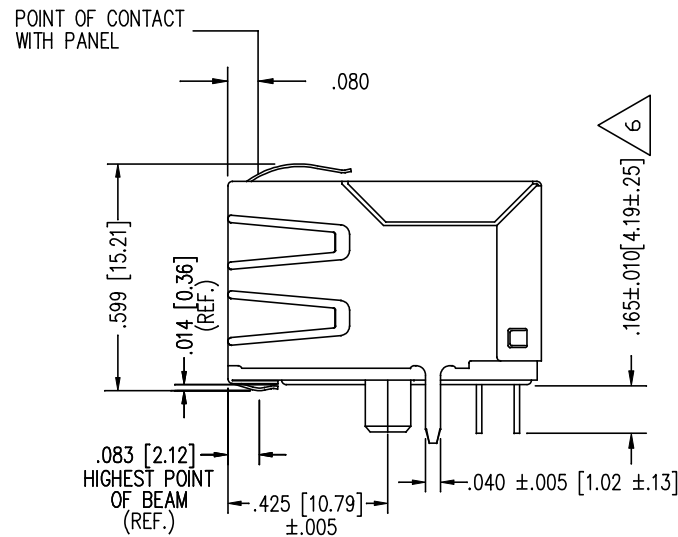
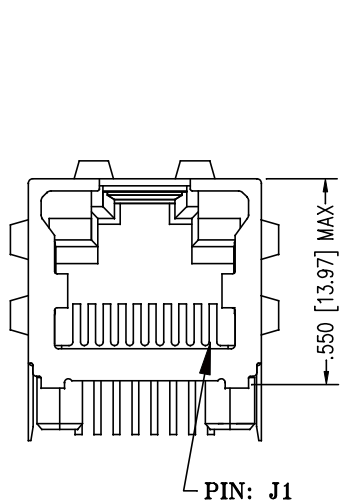
ORIGINATED BY Bain Liu	DATE 10-12-09	TITLE MagJack® 10BT TAB UP, SHIELDED	PART NO. / DRAWING NO. SI-50113-F	STANDARD DIM. TOL. IN INCH	[] METRIC DIM. AS REFERENCE		 COMPONENTS FOR A CONNECTED PLANET
DRAWN BY Bain Liu	DATE 10-12-09	FILE NAME SI-50113-F.DWG	.X	UNIT : INCH [mm]	REV. : B0		
			.XX	SCALE : N/A	SIZE : A4		
			.XXX ±0.005		PAGE : 2		

THE INFORMATION CONTAINED HEREIN IS CONSIDERED "PROPRIETARY" TO BEL FUSE INC. AND SHALL NOT BE COPIED, REPRODUCED OR DISCLOSED WITHOUT THE WRITTEN APPROVAL OF BEL FUSE INC.

RoHS
2002/95/EC



P.C.B. RECOMMENDED HOLE LAYOUT
SEEN FROM COMPONENT SIDE
ALL CENTERLINE DIMENSIONS ARE BASIC



NOTES:

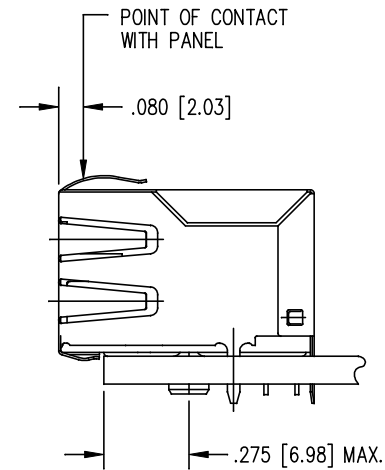
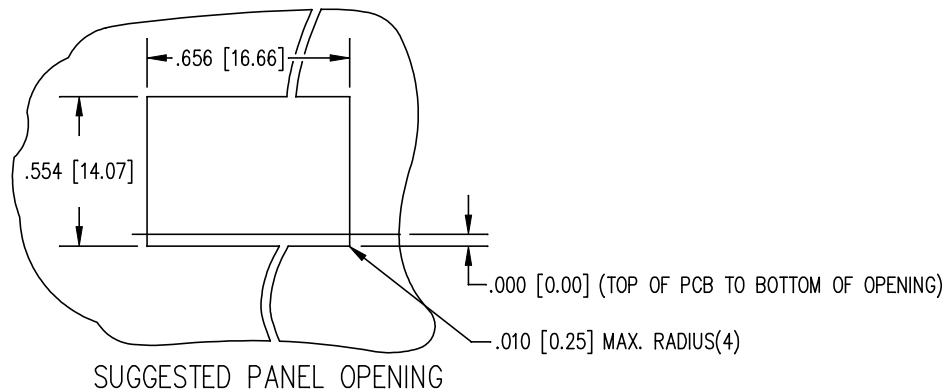
- CONNECTOR MATERIALS:
HOUSING: THERMOPLASTIC UL94 V-0
CONTACT/SHIELD: COPPER ALLOY
SHIELD PLATING: NICKEL OR TIN
CONTACT PLATING: SELECTIVE GOLD,
50 MICRO-INCHES MIN. IN CONTACT AREA.
- PIN NOT ELECTRICALLY CONNECTED MAYBE OMITTED.
SEE ELECTRICAL DRAWING FOR OMITTED PINS.
- TOLERANCES COMPLY WITH F.C.C. DIMENSION REQUIREMENTS.
- ALL TOLERANCES NOT OTHERWISE SPECIFIED TO BE ± 0.005 [0.13]
- REFLOW AND WAVE SOLDER COMPATIBLE -260°C FOR 10 SECONDS MAX.

NOTE SPECIAL LEAD LENGTH

ORIGINATED BY	DATE	TITLE	PART NO. / DRAWING NO.	STANDARD DIM.	[] METRIC DIM. AS REFERENCE		 COMPONENTS FOR A CONNECTED PLANET
Bain Liu	10-12-09	MagJack® 10BT TAB UP, SHIELDED	SI-50113-F	TOL. IN INCH	UNIT : INCH [mm]	REV. : B0	
DRAWN BY	DATE		FILE NAME	.X	SCALE : N/A	SIZE : A4	
Bain Liu	10-12-09		SI-50113-F.DWG	.XX		PAGE : 3	
				.XXX	±0.005		

THE INFORMATION CONTAINED HEREIN IS CONSIDERED "PROPRIETARY" TO BEL FUSE INC. AND SHALL NOT BE COPIED, REPRODUCED OR DISCLOSED WITHOUT THE WRITTEN APPROVAL OF BEL FUSE INC.

RoHS
2002/95/EC



1. THE SUGGESTED PANEL OPENING IS INTENDED TO GIVE THE USER THE ABILITY TO HAVE REASONABLE JACK / PANEL CLEARANCES YET MAINTAIN RELIABLE GROUNDING CAPABILITY.
2. ALL TOLERANCES NOT OTHERWISE SPECIFIED TO BE ± 0.005 [0.13]

ORIGINATED BY Bain Liu	DATE 10-12-09	TITLE MagJack® 10BT TAB UP, SHIELDED	PART NO. / DRAWING NO. SI-50113-F	STANDARD DIM. TOL. IN INCH	[] METRIC DIM. AS REFERENCE		bel COMPONENTS FOR A CONNECTED PLANET
DRAWN BY Bain Liu	DATE 10-12-09	FILE NAME SI-50113-F.DWG	.X	UNIT : INCH [mm]	REV. : B0		
			.XX	SCALE : N/A	SIZE : A4		
			.XXX	± 0.005	PAGE : 4		