

4

3

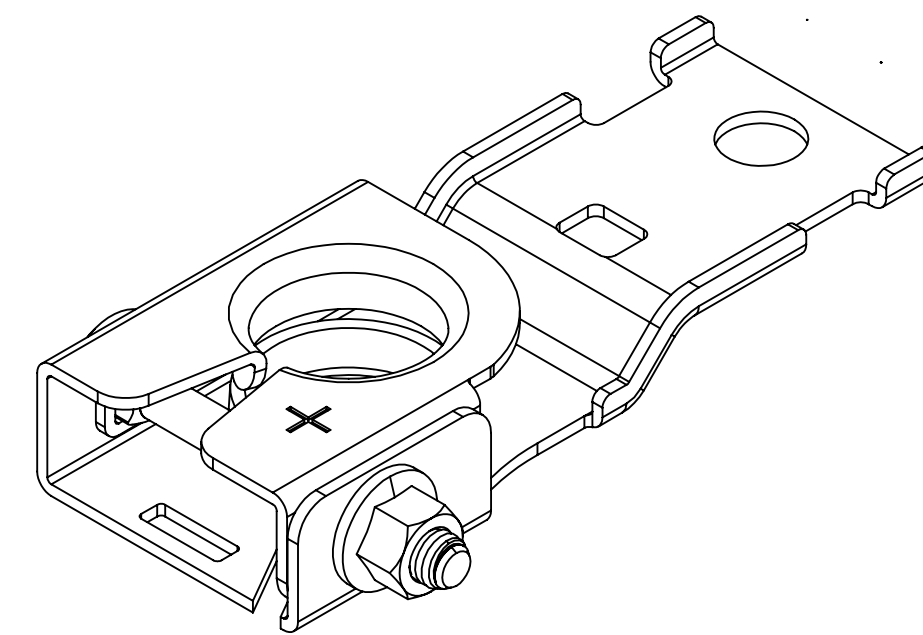
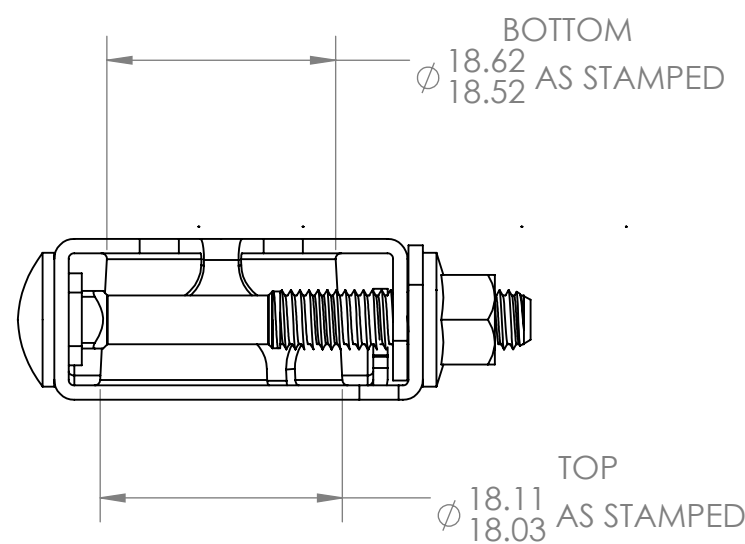
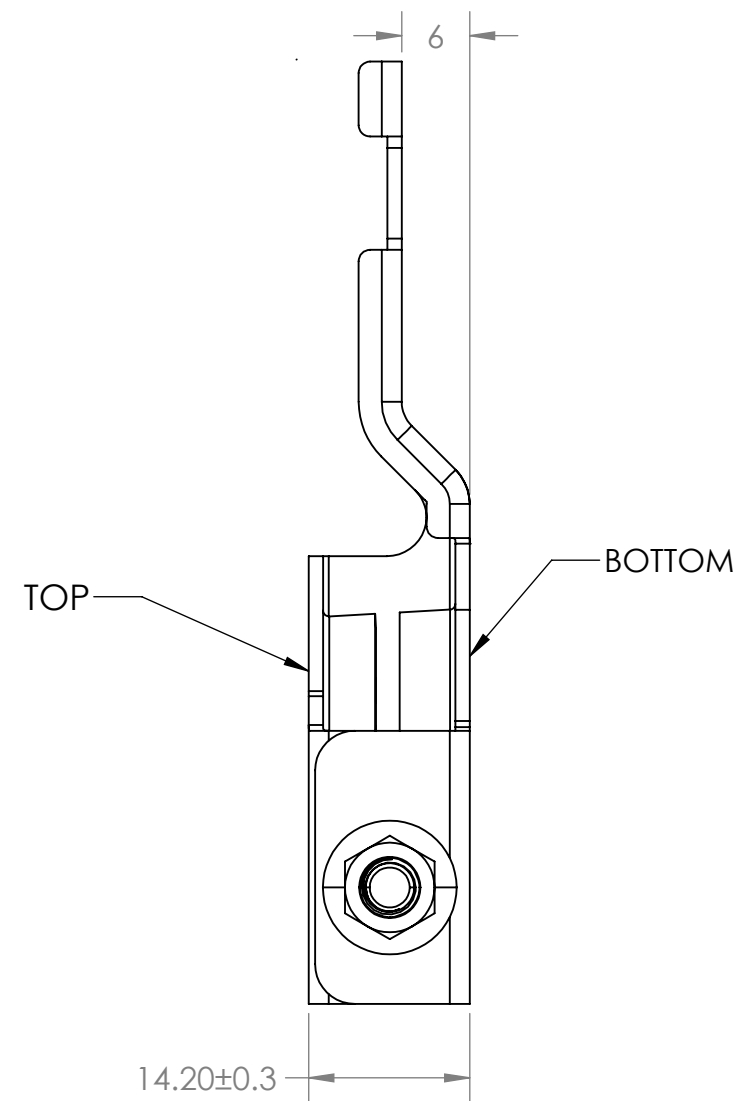
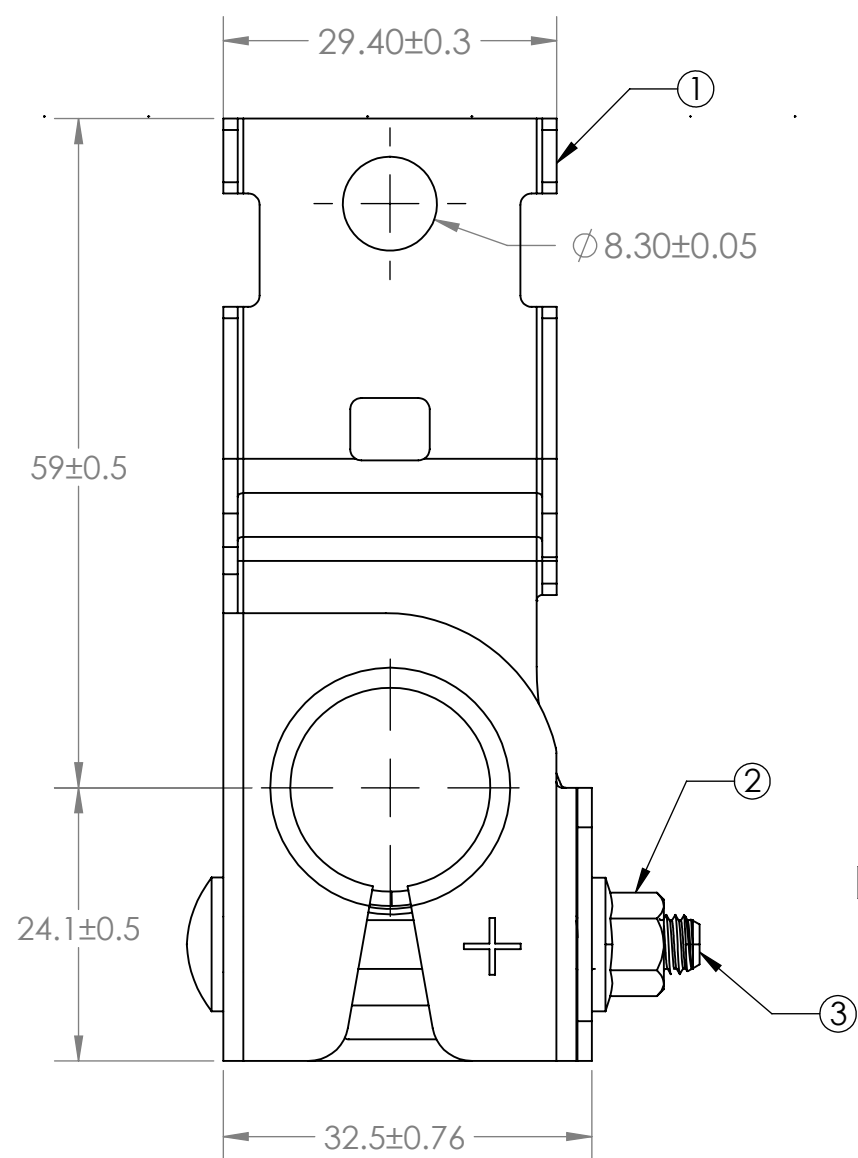
2

1

NOTE:

1. DYNAMIC TORQUE AT VEHICLE ASSEMBLY PLANT: 5.4Nm±0.9Nm @ 540 RPM MAX

REVISIONS				
ZONE	REV.	DESCRIPTION	DATE	APPROVED
	A	PER EC#514693: INITIAL RELEASE	6/22/2015	J. LIU



BOM			
ITEM	DESCRIPTION	MATERIAL	QTY
1	BATTERY TERMINAL	ALLOY C194, TIN PLATED WITH MINIMUM THICKNESS OF 0.001	1
2	M6 CARRAGE BOLT		1
3	M6 FLANGE NUT		1

DIMENSIONS ARE IN MM.
 DIMENSIONS AND TOLERANCES ARE DEFINED ACCORDING TO ANSI / ASME Y14.5M-1994
 THIS DRAWING AND THE INFORMATION CONTAINED WITHIN IT ARE CONFIDENTIAL AND MAY NOT BE COPIED OR DISCLOSED WITHOUT THE WRITTEN PERMISSION OF LITTELFUSE.

NAME	DATE
DRAWN J. Liu	6/22/2015
CHECKED	



805 W ORCHARD DR., STE 6, BELLINGHAM, WA 98226
 Phone (360)738-9010 Fax (360)738-0372

TERMINAL ASSEMBLY-ZCASE FUSE HOLDER

SIZE DWG. NO. **876-199** REV. **A**
 SCALE 1.5:1 SHEET 1 OF 1

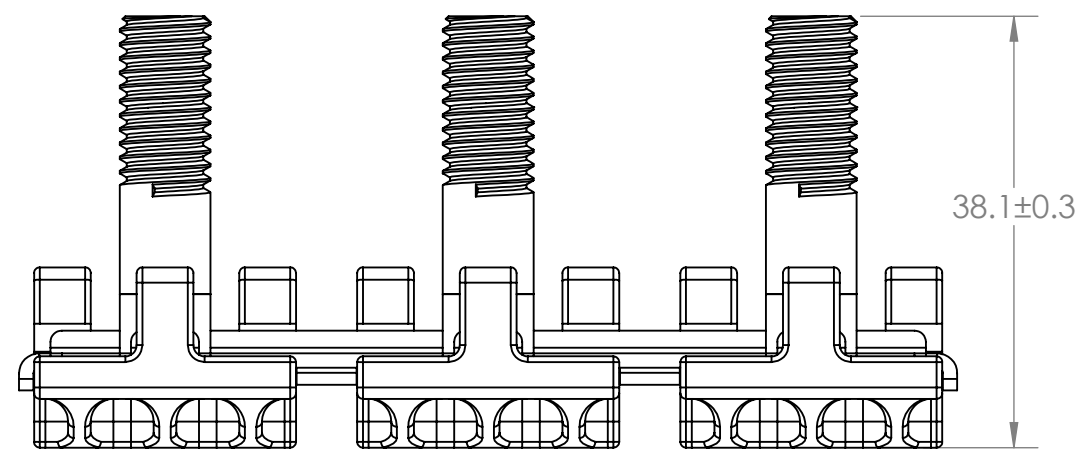
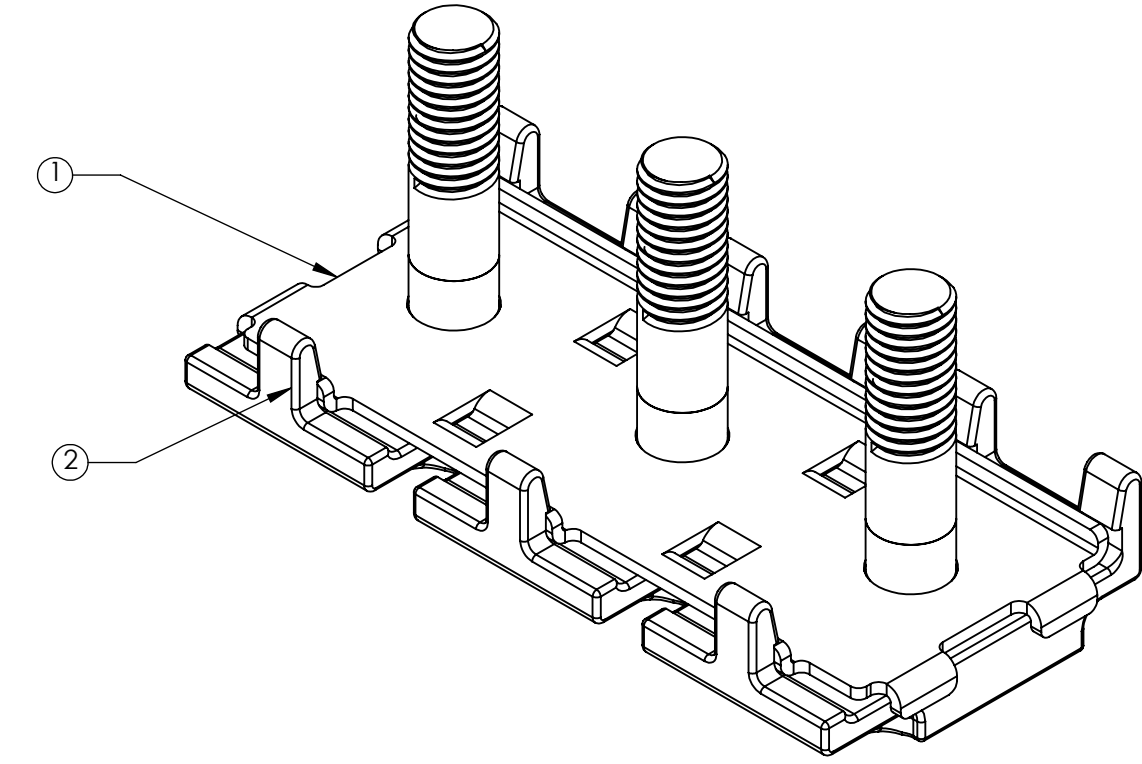
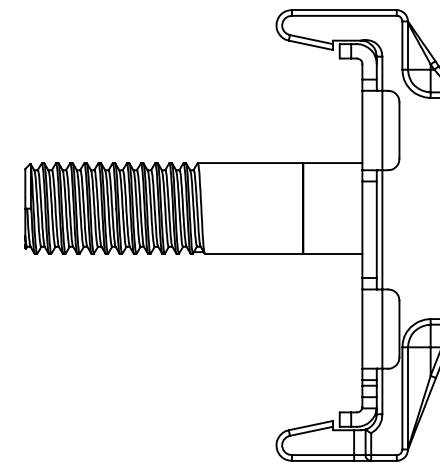
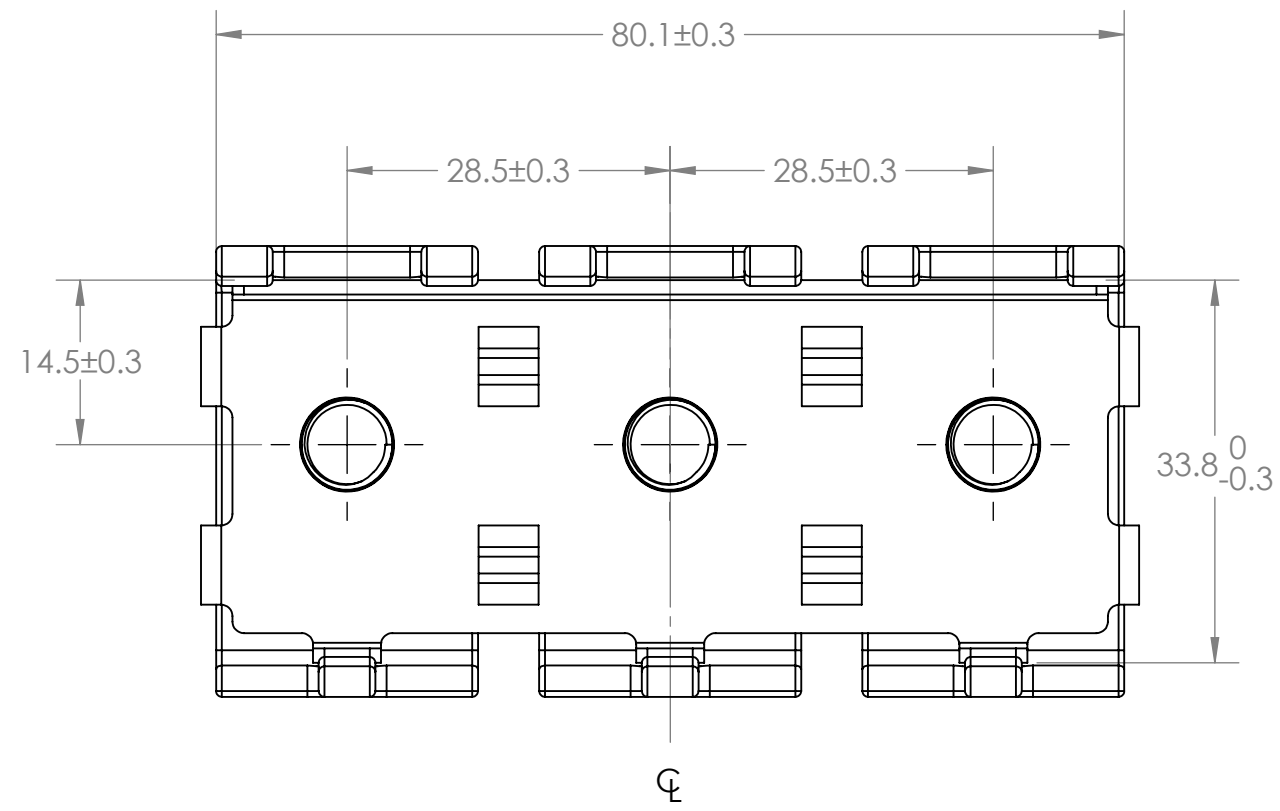
4

3

2

1

REVISIONS				
ZONE	REV.	DESCRIPTION	DATE	APPROVED
	A	PER EC#514694: INITIAL RELEASE	6/22/2015	J. LIU



BOM			
ITEM	DESCRIPTION	MATERIAL	QTY
1	FUSE HOLDER TERMINAL	ALLOY C19400 (ASTM #B465) 100% TIN OVER NICKEL	1
2	FUSE HOLDER - M8		3

DIMENSIONS ARE IN MM.
DIMENSIONS AND TOLERANCES ARE DEFINED ACCORDING TO ANSI / ASME Y14.5M-1994

THIS DRAWING AND THE INFORMATION CONTAINED WITHIN IT ARE CONFIDENTIAL AND MAY NOT BE COPIED OR DISCLOSED WITHOUT THE WRITTEN PERMISSION OF LITTELFUSE.

NAME	DATE
DRAWN J. Liu	6/22/2015
CHECKED -	-
-	-
-	-
-	-

THIRD ANGLE PROJECTION

Littelfuse
Export/Import Division | Americas Division
805 W ORCHARD DR., STE 6, BELLINGHAM, WA 98226
Phone (360)738-9010 Fax (360)738-0372

BUS BAR AND STUD ASSM-ZCASE HOLDER 3WAY

SIZE C DWG. NO. **882-853** REV. **A**
SCALE 1.5:1 SHEET 1 OF 1

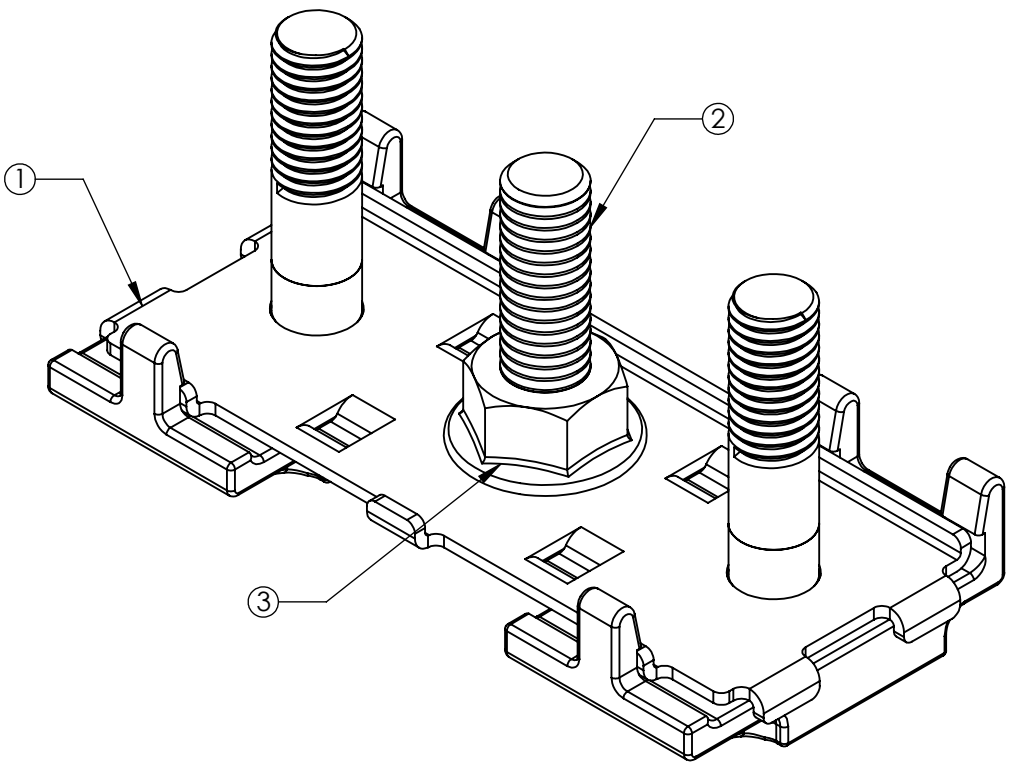
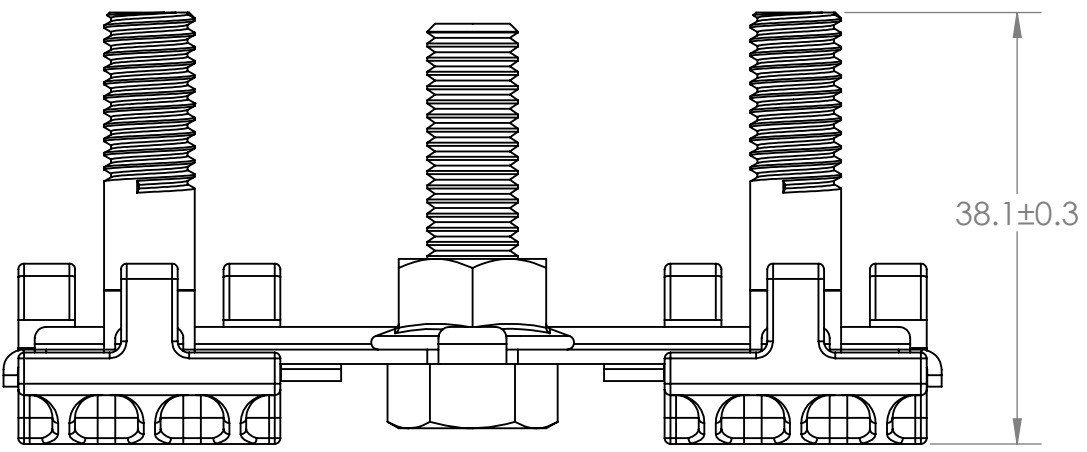
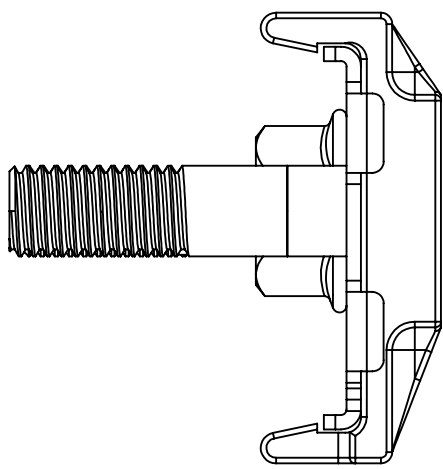
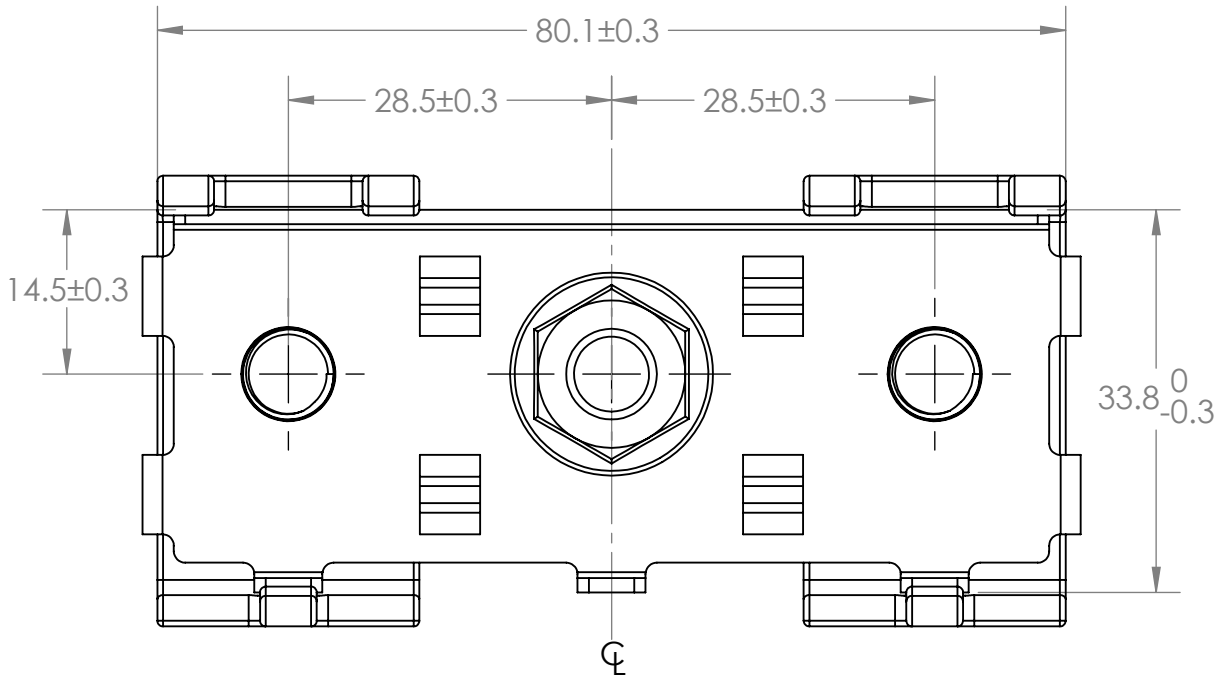
4

3

2

1

REVISIONS				
ZONE	REV.	DESCRIPTION	DATE	APPROVED
	A	PER EC#514692: INITIAL RELEASE	6/22/2015	J. LIU
	B	PER EC#515141: SUBSTITUED TWO COMPONENTS WITH A SUBASSEMBLY, ADDED PART NUMBERS IN BOM	10/16/2015	J. LIU



BOM			
ITEM	PART NUMBER	DESCRIPTION	QTY
1	882-855	SUB ASSM-ZCASE FUSE HOLDER 2WAY	1
2	980002820	BOLT M8x1.25x30 SS	1
3	980003760	M8 x 1.25 SERRATED FLANGE HEX NUT SS	1

DIMENSIONS ARE IN MM.
 DIMENSIONS AND TOLERANCES ARE DEFINED ACCORDING TO ANSI / ASME Y14.5M-1994

THIS DRAWING AND THE INFORMATION CONTAINED WITHIN IT ARE CONFIDENTIAL AND MAY NOT BE COPIED OR DISCLOSED WITHOUT THE WRITTEN PERMISSION OF LITTELFUSE.

DRAWN	J. Liu	DATE	6/22/2015
CHECKED	-	-	-
-	-	-	-
-	-	-	-
-	-	-	-

THIRD ANGLE PROJECTION

Littelfuse
 Export/Import Division | Americas Division
 805 W ORCHARD DR., STE 6, BELLINGHAM, WA 98226
 Phone (360)738-9010 Fax (360)738-0372

BUS BAR AND STUD ASSM-ZCASE HOLDER 2WAY

SIZE DWG. NO. **882-854** REV. **B**
 SCALE 1.5:1 SHEET 1 OF 1

4

3

2

1