



PRODUCT NUMBER  
20020163-XXXXXXXXLF

20020163-



LF: DENOTED ROHS COMPATIBLE

1 : STANDARD PRODUCT  
W/ BOX PACKING

PITCH  
H: 5.08 mm

POLES

2: 2 POLES  
3: 3 POLES  
:  
24: 24 POLES

SCREW CODE

CODE	SCREW TYPE	AVAILABILITY
A	-/+	ON REQUEST ONLY
B	-	STANDARD

PROPERTY TABLE	
PITCH (mm)	5.08
VOLTAGE RATING (VAC)	300
CURRENT RATING (A)	20
WITHSTANDING VOLTAGE (kV)	1.6
OPERATING TEMP. (°C)	-40~+115
SOLDERING TEMP. (°C)	250±10 (5sec)
POLES AVAILABLE	02-24
SAFETY CERTIFICATE	

HOUSING CODE

CODE	COLOR	AVAILABILITY
1	GREEN(RAL 6018/T)	STANDARD
2	BLACK(RAL9005)	ON REQUEST ONLY
3	GREY(RAL7035/D)	ON REQUEST ONLY
4	BLUE(RAL 5015/A)	ON REQUEST ONLY

NOTES:

1.MATERIAL:

- 1-1 HOUSING: THERMOPLASTIC RESIN, UL94V-0 RATED.
- 1-2 TERMINAL: PbZ(CuSn) TIN PLATED.
- 1-3 COVER: THERMOPLASTIC RESIN, UL94V-0 RATED.:

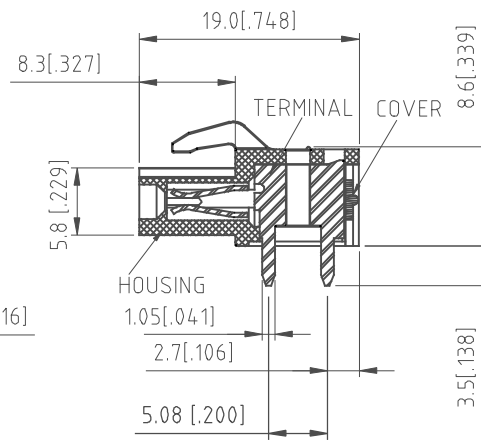
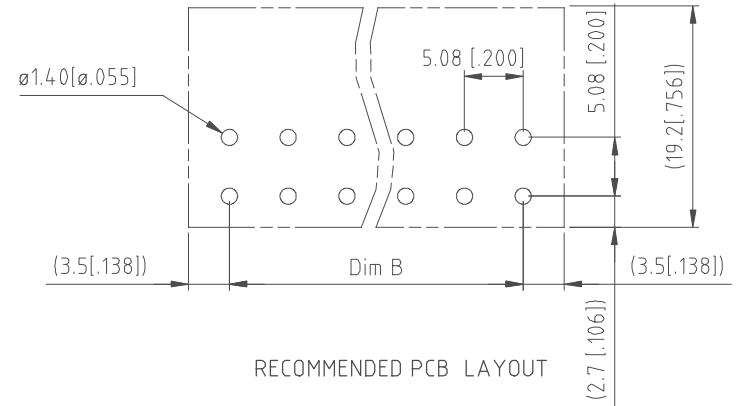
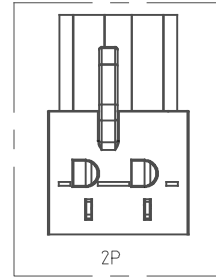
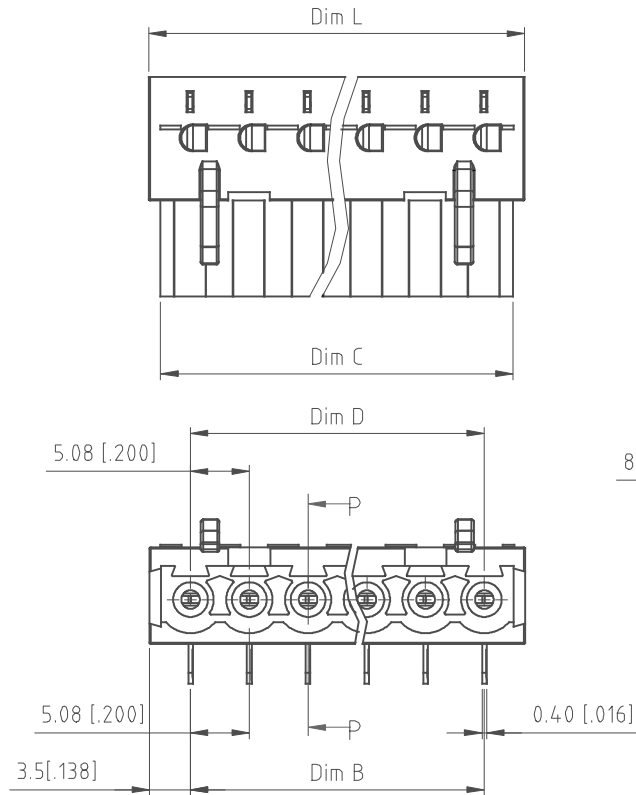
2. PRODUCT SPECIFICATION REFER TO FCI GS-12-625.

3. PRODUCT PACKING SPECIFICATION REFER TO FCI GS-14-1394

4. THE PRODUCTS WHERE THE PART NUMBER END IN "LF" MEET THE EUROPEAN UNION DIRECTIVE AND OTHER COUNTRY REGULATIONS AS DESCRIBED IN GS-22-008.

mat'l. code		surface ASME Y14.5	tolerance ASME Y14.5	projection 	product family TERMINAL BLOCK
ltr	ecn no	dr	date	tolerances unless otherwise specified	title
A		LS	082412	angles X.±0.5	TERMINAL BLOCK
				mm X.X±0.3	PLUGGABLE PLUG, SIGNAL, RIGHT ANGLE
				X'±1° X.XX±0.1	scale
		dr	LEIF SHEN 051612		dwg no
		enr	LEIF SHEN 051612		sheet 1 of 2 size
		chr	LEIF SHEN 051612		20020163 A4
		appd	JOSEPH HSIA 051612		type
					CUSTOMER Drawing
sheet index	revision sheet	A	A		
		1	2		

PRODUCT NUMBER	PITCH
20020163-HXXXXXXLF	5.08 mm



RECOMMENDED PCB LAYOUT

N=Number of poles

DIM L	$(N-1) \times 5.08 [.200] + 7.08 [.279]$
DIM B	$(N-1) \times 5.08 [.200]$
DIM C	$N \times 5.08 [.200]$
DIM D	$(N-1) \times 5.08 [.200]$

Poles	DIM L/B/D	DIM C
2P-6P	$\pm 0.15 [.006]$	-0 $+0.20 [.008]$
7P-12P	$\pm 0.25 [.010]$	
13P-18P	$\pm 0.30 [.012]$	-0 $+0.40 [.016]$
19P-24P	$\pm 0.40 [.016]$	

SECTION P-P

mat'l. code	surface ASME Y14.5	tolerance ASME Y14.5	projection 	product family TERMINAL BLOCK		
ltr	ecn	no	dr	date	tolerances unless otherwise specified	title
A					X.±0.5 X.X±0.3	TERMINAL BLOCK
					X'±1' X.XX±0.1	PLUGGABLE PLUG, SIGNAL, RIGHT ANGLE
	dr	LEIF SHEN	051612			dwg no
	enr	LEIF SHEN	051612			sheet 2 of
	chr	LEIF SHEN	051612			size
	appd	JOSEPH HSIA	051612			20020163
						A4
sheet index	revision sheet					type
						CUSTOMER Drawing