



## FEATURES

- RoHS compliant
- 0.47mH to 4.7mH
- Surface mount
- Up to 0.7A I<sub>DC</sub>
- UL94 V-0 package materials
- Compact size
- J-STD-020C reflow
- Backward compatible with Sn/Pb soldering systems

## PRODUCT OVERVIEW

The 5000 series is a range of surface-mount common mode chokes designed to attenuate up to 100MHz common mode noise where line filtering is required, such as low current switching power supplies and telecom applications.

## SELECTION GUIDE

Order Code	Inductance, L <sup>1</sup> (0.1V @ 100kHz)		Leakage Inductance, L <sub>L</sub> (0.1V @ 100kHz)		DC Resistance, R <sup>1</sup>	Current Rating <sup>3</sup> (series connection)	Isolation <sup>4</sup>
	Nom.	Tolerance	Typ.	Max.	Max.	mA <sub>DC</sub>	Vrms
	mH	%	μH	μH	Ω		
50474C	0.47	+50%/-30%	0.2	0.40	0.30	700	500
50105C	1.00		0.2	0.40	0.30	700	
50225C	2.20		0.25	0.60	0.40	500	
50475C	4.70		0.4	0.80	0.70	400	

## ABSOLUTE MAXIMUM RATINGS

Operating free air temperature range	-40°C to 85°C
Storage temperature range	-40°C to 125°C

## SOLDERING INFORMATION<sup>2</sup>

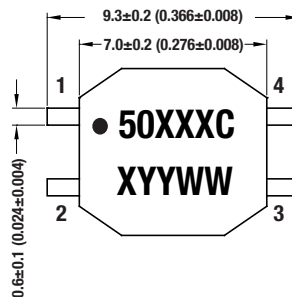
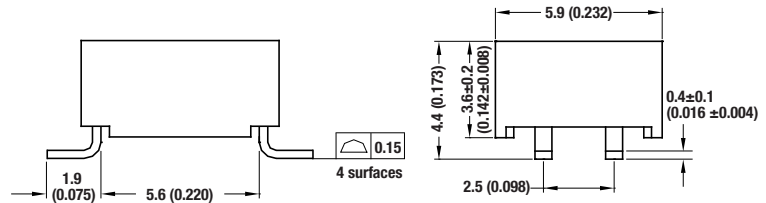
Peak reflow temperature	250°C
Pin finish	Pure tin dip

All specifications typical at T<sub>A</sub>=25°C

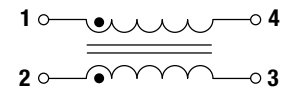
- 1 Measured between pins 1-4 or 2-3.
- 2 For further information, please visit [www.murata-ps.com/rohs](http://www.murata-ps.com/rohs)
- 3 The maximum DC current occurs when its temperature rise reaches 40°C.
- 4 Flash tested for 1 second.

## PACKAGE SPECIFICATIONS

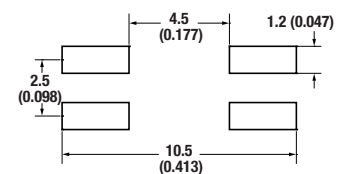
### Mechanical Dimensions



### Schematic



### Recommended Footprint Details

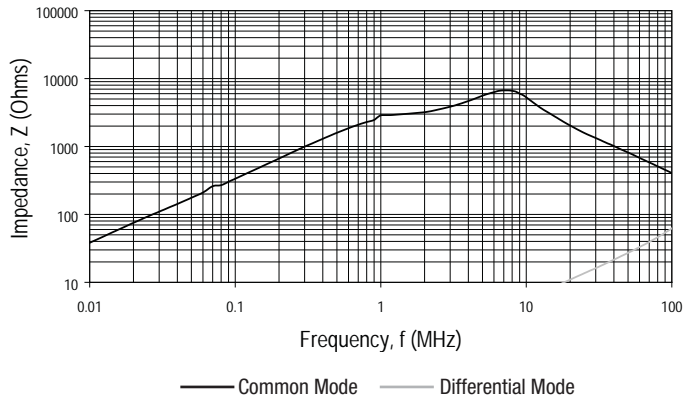


Unless otherwise stated, all dimensions in mm (inches) ±0.25 (0.010).  
Package weight 0.30g Typ.

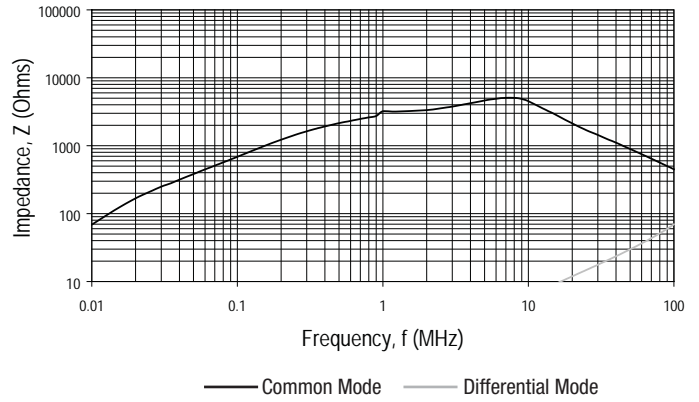


**IMPEDANCE IN COMMON MODE AND DIFFERENTIAL MODE VS FREQUENCY**

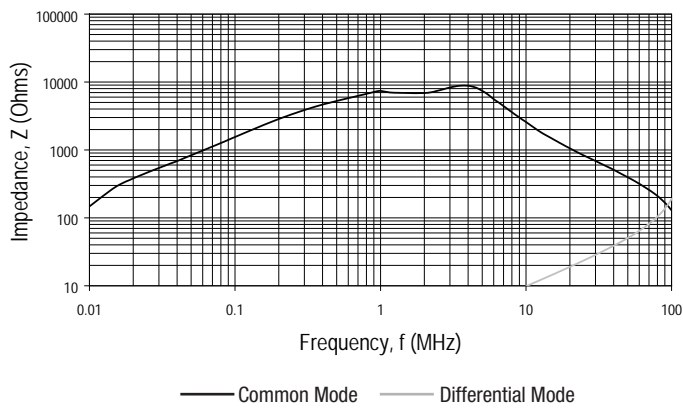
**50474C**



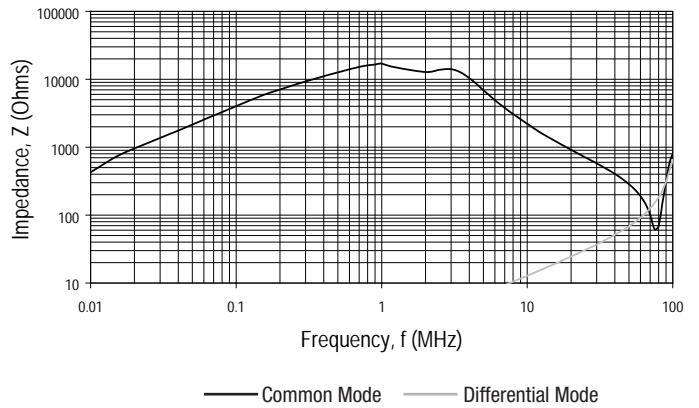
**50105C**



**50225C**

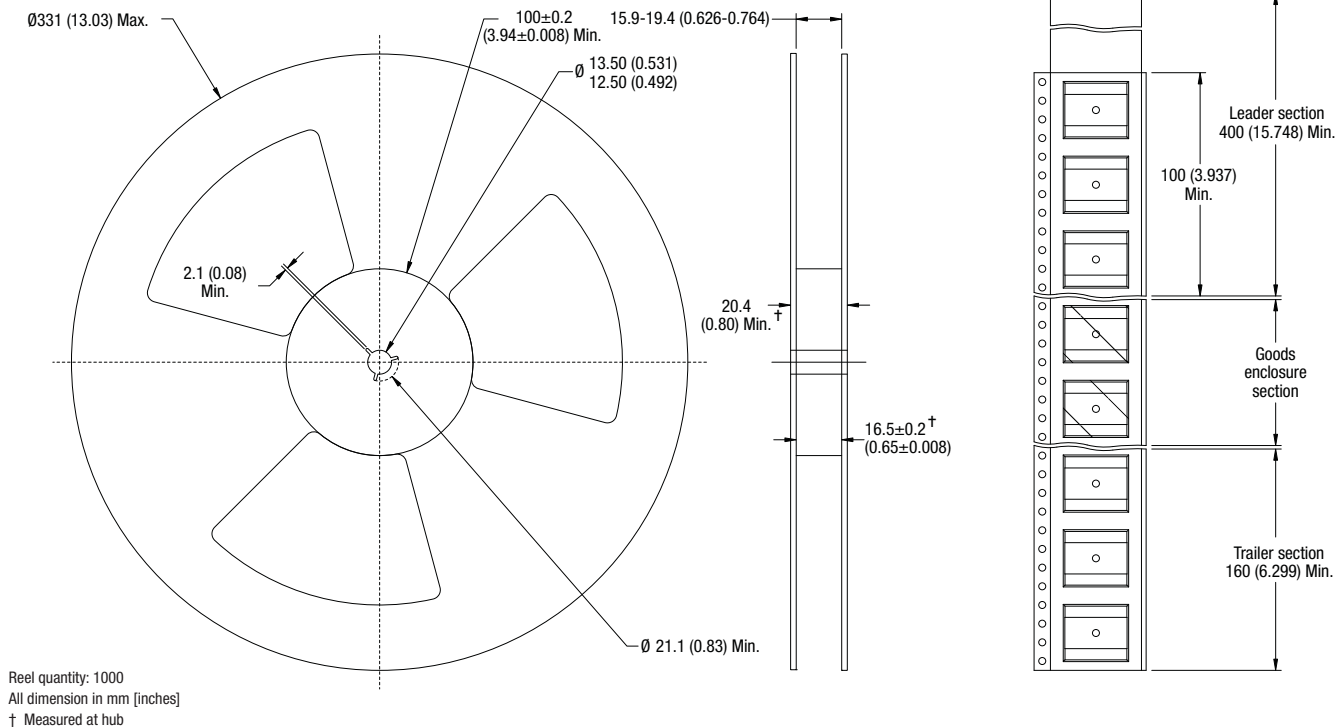


**50475C**

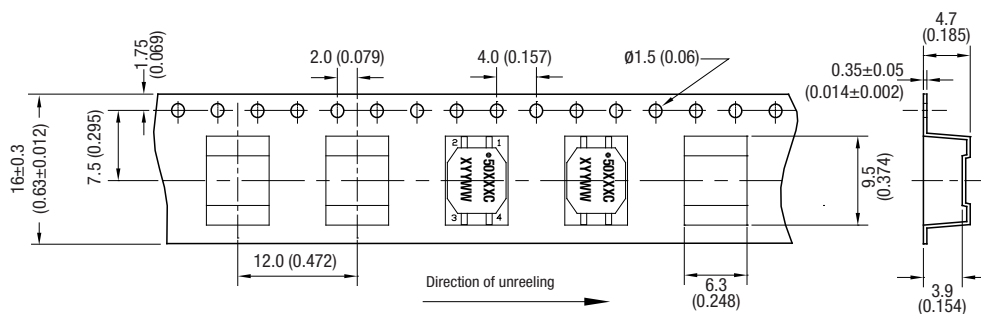


**PACKAGE SPECIFICATIONS**

**Mechanical Dimensions**



**Tape Outline Dimensions**



Unless otherwise stated, all dimensions in mm (inches)  $\pm$  0.1 (0.004).

Murata Power Solutions, Inc.  
 11 Cabot Boulevard, Mansfield, MA 02048-1151 U.S.A.  
 ISO 9001 and 14001 REGISTERED

Murata Power Solutions, Inc. makes no representation that the use of its products in the circuits described herein, or the use of other technical information contained herein, will not infringe upon existing or future patent rights. The descriptions contained herein do not imply the granting of licenses to make, use, or sell equipment constructed in accordance therewith. Specifications are subject to change without notice. © 2011 Murata Power Solutions, Inc.