

Cold thermostat kit based on AC switches and the STM8S

Data brief

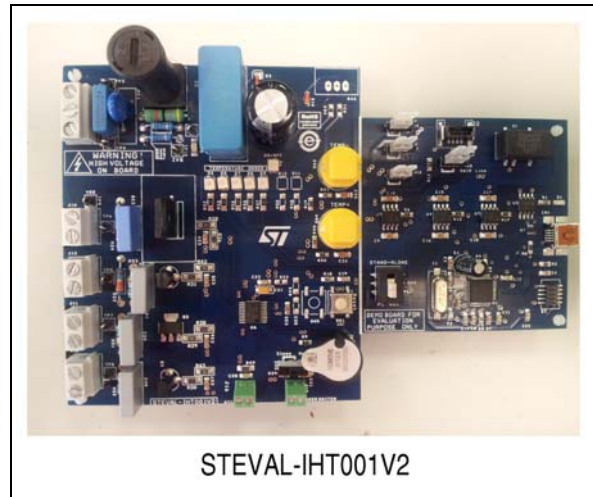
Features

- Low-cost solution for spark-free thermostats:
 - No need for a sealed version
 - Low-cost STM8S microcontroller for thermostat control
 - Low-cost capacitive power supply
- High efficiency:
 - Refrigerator consumption reduction by adjusting and reducing the hysteresis threshold of the temperature
 - Improved efficiency by turning on the defrost resistor only when it's useful and not at each OFF cycle of the compressor (as done in some mechanical thermostats)
- High system immunity:
 - Overvoltage protected ACS switches: ACST610-8FP for compressor control, ACS110-7SN for defrost resistor and ACS102-6TA for light bulb and fan
 - Class A criteria for IEC 61000-4-4 up to above 3 kV levels
- Flexibility:
 - Development: program setting with PC interface to change firmware variables
 - Industrialization: end-of-production MCU programming thanks to FLASH, for soft upgrade and efficient MCU stock management
- RoHS compliant

Description

The STEVAL-IHT001V2 thermostat kit provides a robust and low-cost ST solution (microcontroller and AC switches) to control refrigerators, freezers or fridge/freezer combinations.

Basic, defrost, and air circulation versions are configurable in order to address the low-end and medium-end cooling appliances market. It allows the control of a single-phase induction motor and



a light bulb, and optionally, a defrost resistor and a fan, working on 220/240 V_{RMS}, 50/60 Hz mains voltage. The thermostat kit is operational with 100/120 V RMS 50/60 Hz but the supply capacitor value must be modified.

The board can operate in an ambient temperature range from 0 °C to 60 °C.

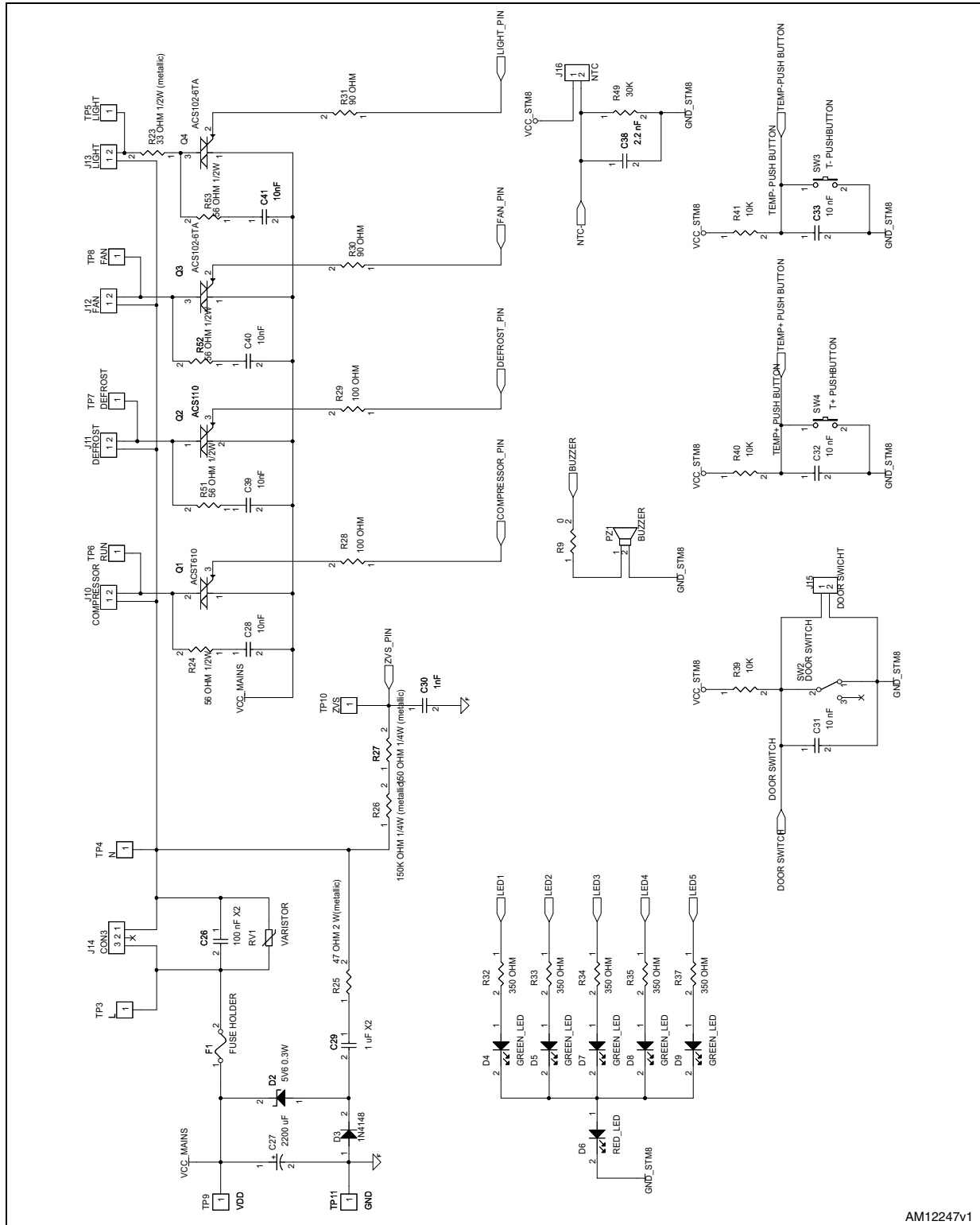
The exact maximum temperature depends on the power of the loads. For demonstrative purposes a graphic user interface (GUI) has been developed.

The connection between the PC and STM8S microcontroller, the MCU performing thermostat regulation, is achieved through a USB bus.

As the STM8S is a low-cost MCU without an embedded USB peripheral, an additional MCU (STM32) has been used as a bridge between the PC and STM8S MCU, for demonstrative purposes only.

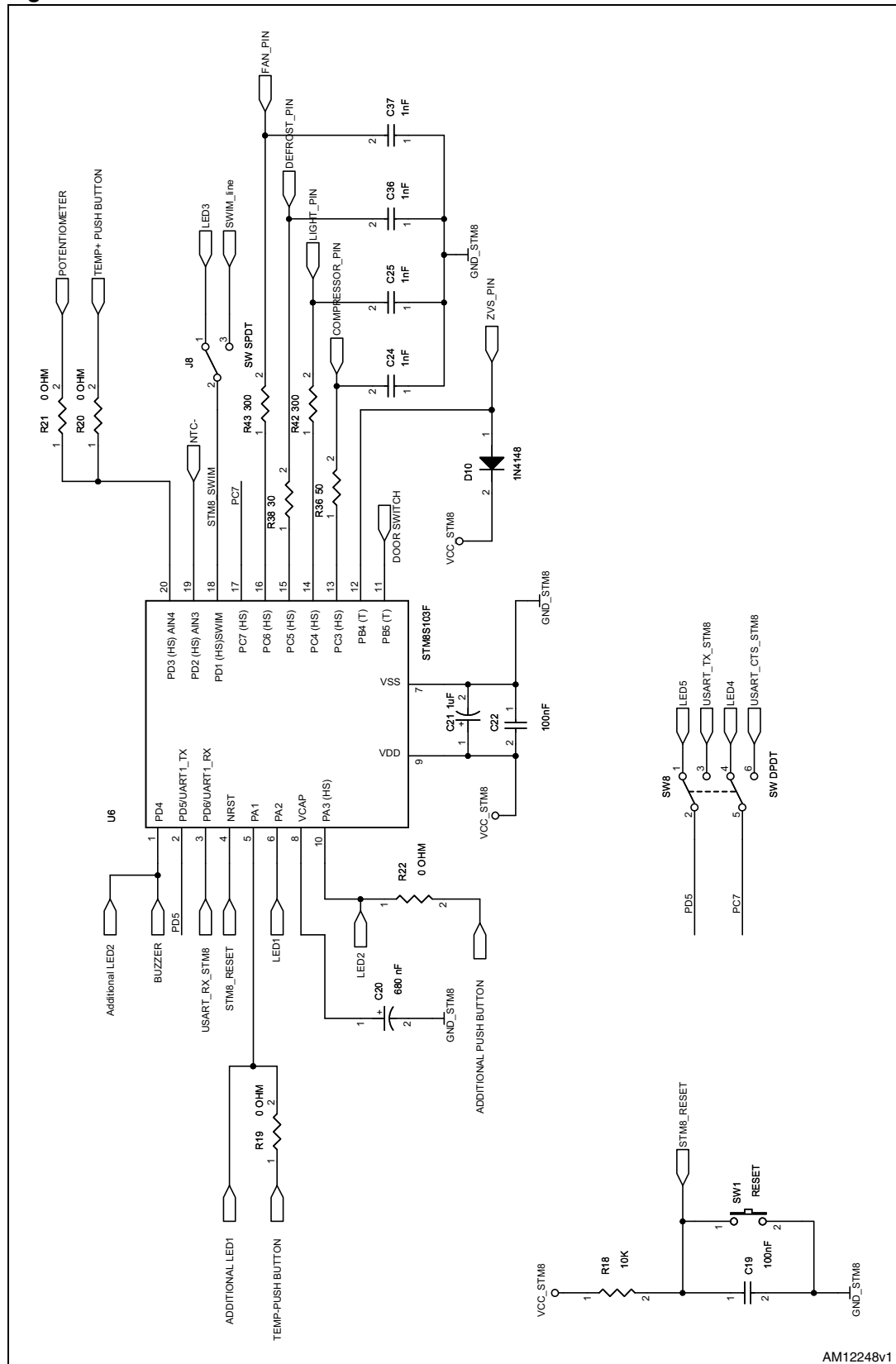
1 Schematic diagrams

Figure 1. Control side schematic



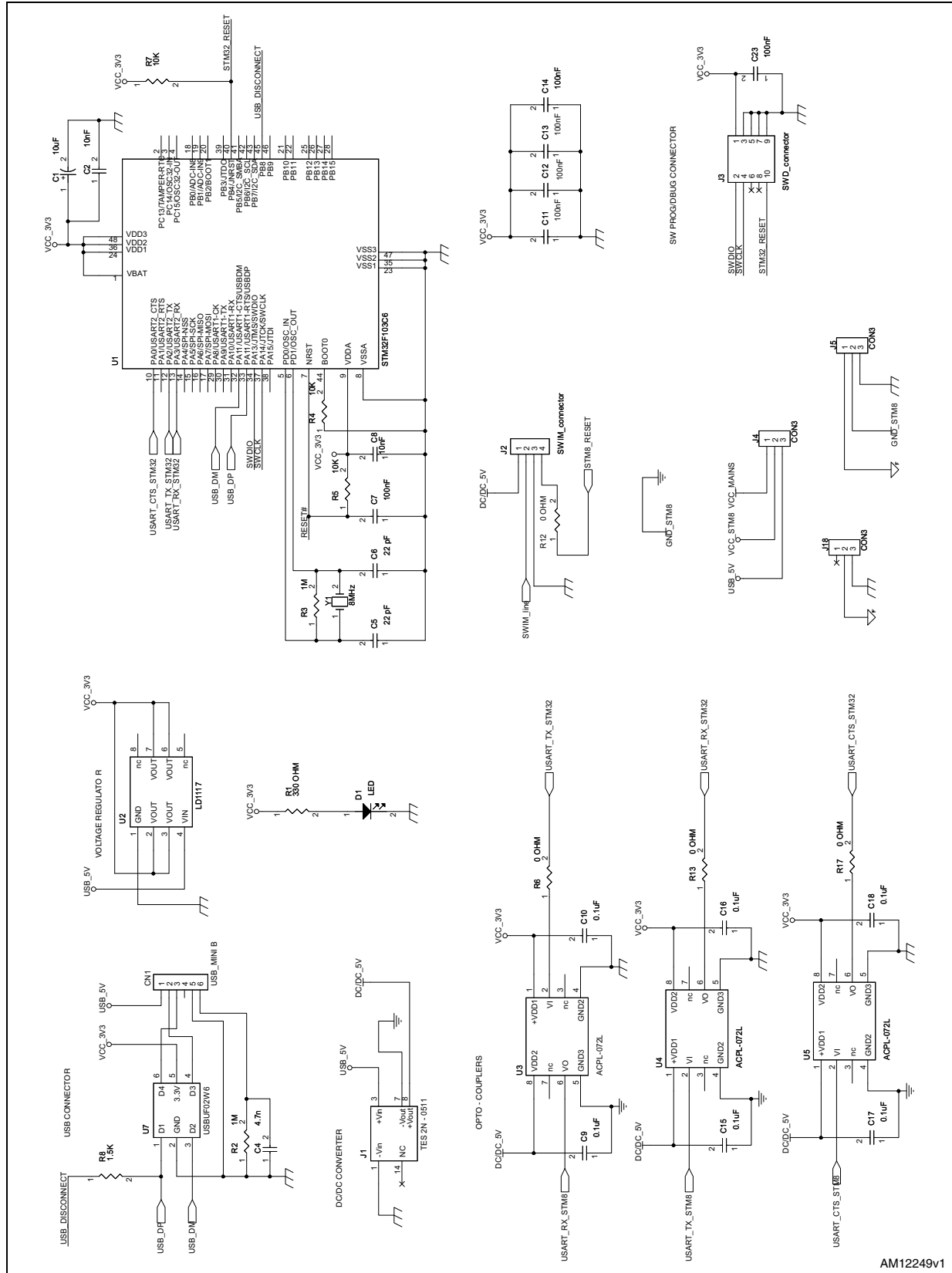
AM12247v1

Figure 2. Control side schematic - STM8S



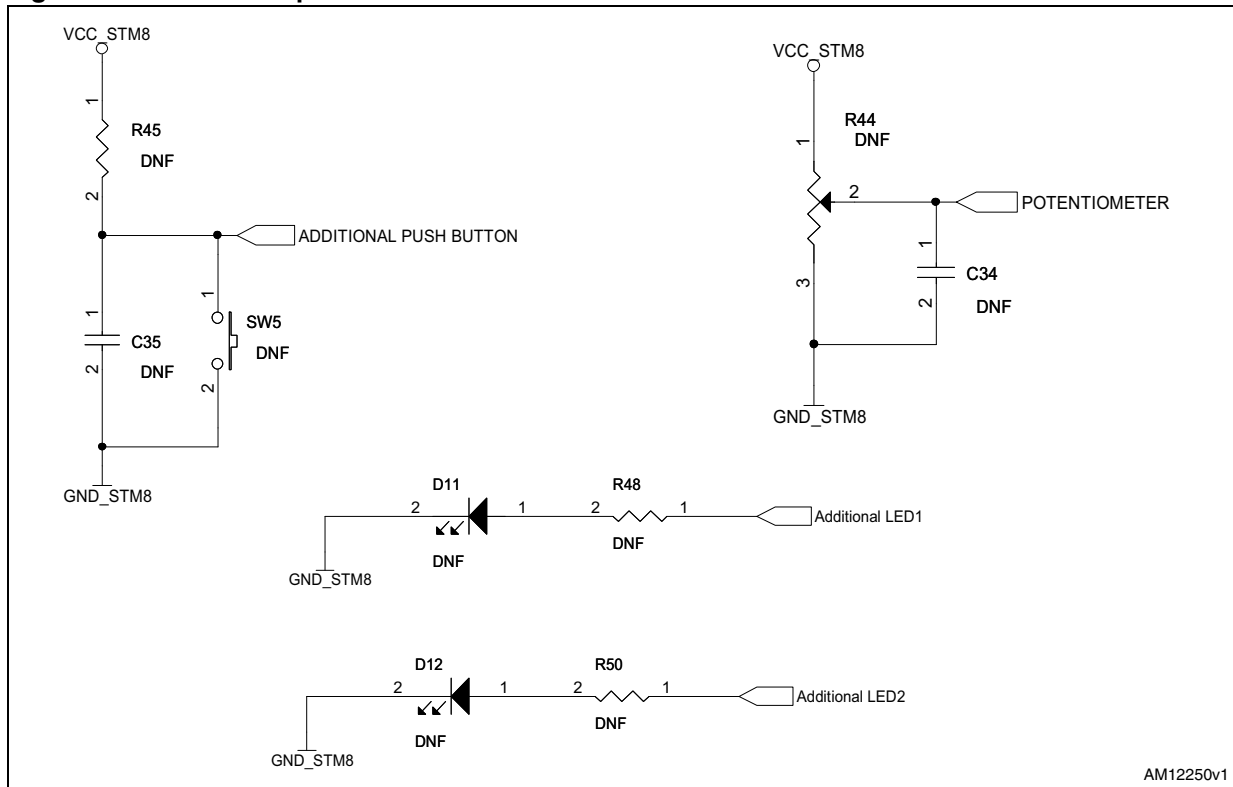
AM12248v1

Figure 3. Interface side schematic



AM12249v1

Figure 4. Additional pads schematic



2 Revision history

Table 1. Document revision history

Date	Revision	Changes
31-May-2012	1	Initial release.
18-Sep-2012	2	Changed: figure in cover page and <i>Figure 1</i>
16-Oct-2012	3	Updated features.

Please Read Carefully:

Information in this document is provided solely in connection with ST products. STMicroelectronics NV and its subsidiaries ("ST") reserve the right to make changes, corrections, modifications or improvements, to this document, and the products and services described herein at any time, without notice.

All ST products are sold pursuant to ST's terms and conditions of sale.

Purchasers are solely responsible for the choice, selection and use of the ST products and services described herein, and ST assumes no liability whatsoever relating to the choice, selection or use of the ST products and services described herein.

No license, express or implied, by estoppel or otherwise, to any intellectual property rights is granted under this document. If any part of this document refers to any third party products or services it shall not be deemed a license grant by ST for the use of such third party products or services, or any intellectual property contained therein or considered as a warranty covering the use in any manner whatsoever of such third party products or services or any intellectual property contained therein.

UNLESS OTHERWISE SET FORTH IN ST'S TERMS AND CONDITIONS OF SALE ST DISCLAIMS ANY EXPRESS OR IMPLIED WARRANTY WITH RESPECT TO THE USE AND/OR SALE OF ST PRODUCTS INCLUDING WITHOUT LIMITATION IMPLIED WARRANTIES OF MERCHANTABILITY, FITNESS FOR A PARTICULAR PURPOSE (AND THEIR EQUIVALENTS UNDER THE LAWS OF ANY JURISDICTION), OR INFRINGEMENT OF ANY PATENT, COPYRIGHT OR OTHER INTELLECTUAL PROPERTY RIGHT.

UNLESS EXPRESSLY APPROVED IN WRITING BY TWO AUTHORIZED ST REPRESENTATIVES, ST PRODUCTS ARE NOT RECOMMENDED, AUTHORIZED OR WARRANTED FOR USE IN MILITARY, AIR CRAFT, SPACE, LIFE SAVING, OR LIFE SUSTAINING APPLICATIONS, NOR IN PRODUCTS OR SYSTEMS WHERE FAILURE OR MALFUNCTION MAY RESULT IN PERSONAL INJURY, DEATH, OR SEVERE PROPERTY OR ENVIRONMENTAL DAMAGE. ST PRODUCTS WHICH ARE NOT SPECIFIED AS "AUTOMOTIVE GRADE" MAY ONLY BE USED IN AUTOMOTIVE APPLICATIONS AT USER'S OWN RISK.

Resale of ST products with provisions different from the statements and/or technical features set forth in this document shall immediately void any warranty granted by ST for the ST product or service described herein and shall not create or extend in any manner whatsoever, any liability of ST.

ST and the ST logo are trademarks or registered trademarks of ST in various countries.

Information in this document supersedes and replaces all information previously supplied.

The ST logo is a registered trademark of STMicroelectronics. All other names are the property of their respective owners.

© 2012 STMicroelectronics - All rights reserved

STMicroelectronics group of companies

Australia - Belgium - Brazil - Canada - China - Czech Republic - Finland - France - Germany - Hong Kong - India - Israel - Italy - Japan - Malaysia - Malta - Morocco - Philippines - Singapore - Spain - Sweden - Switzerland - United Kingdom - United States of America

www.st.com

