

4

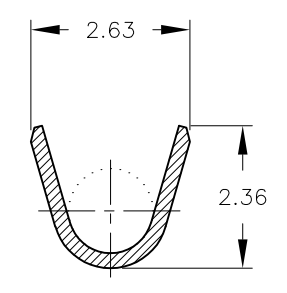
3

2

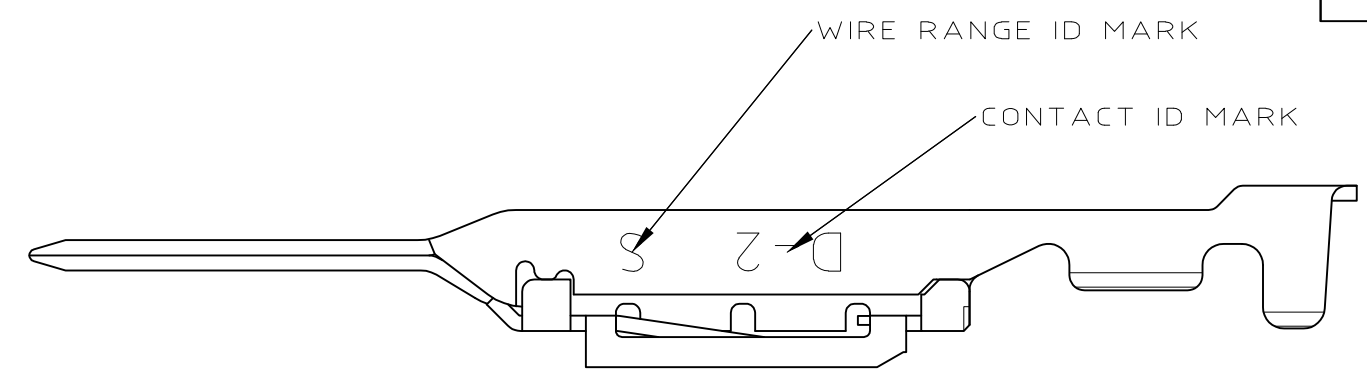
1

THIS DRAWING IS UNPUBLISHED. RELEASED FOR PUBLICATION
 © COPYRIGHT - ALL RIGHTS RESERVED.

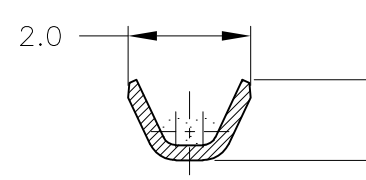
LOC	DIST	REVISIONS			
P	LTR	DESCRIPTION	DATE	DWN	APVD
		C1 REVISED PER ECO-11-005030	22MAR11	RK	HMR



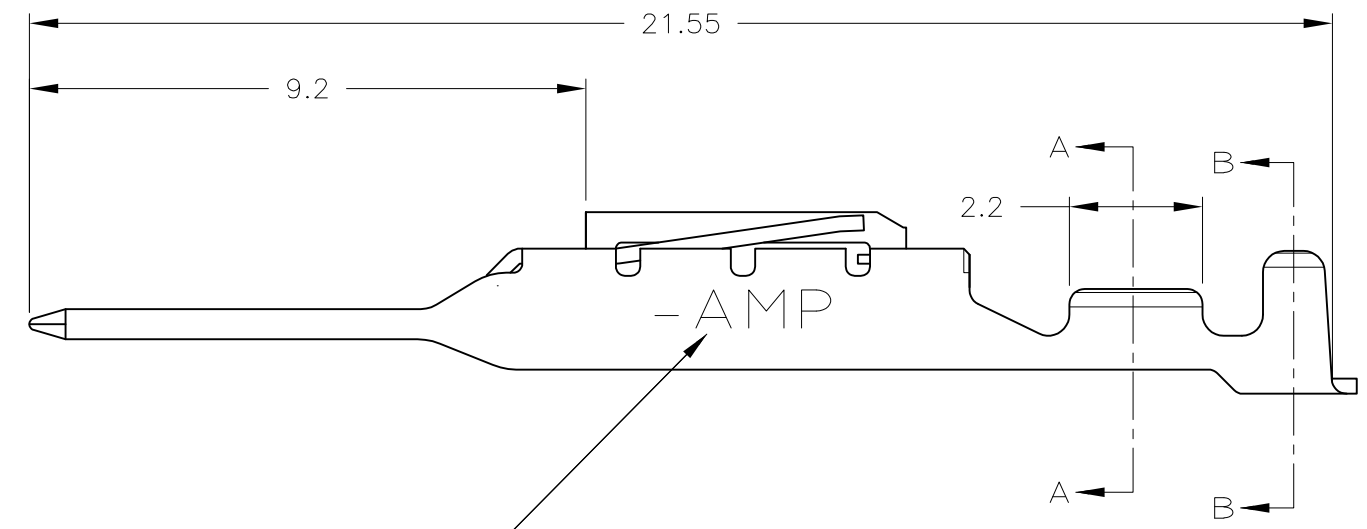
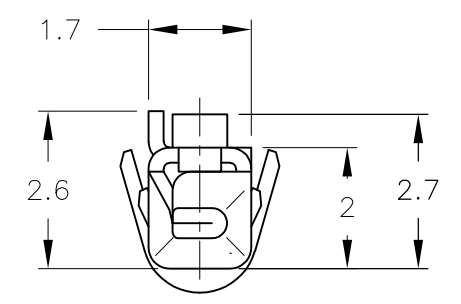
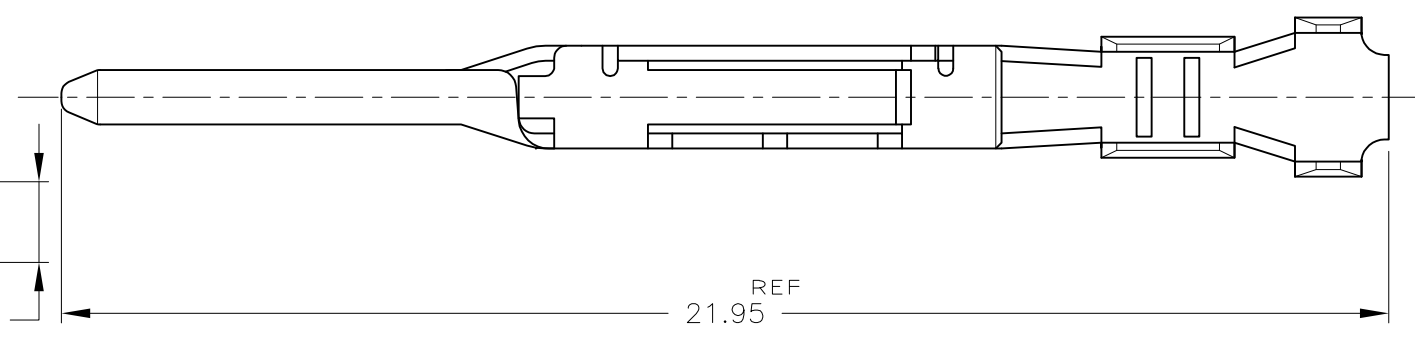
SECT B-B



-1:AS SHOWN



SECT A-A



AMP MARK

NOTES

- 1. FINISH (CONTACT AREA): 0.38 μm MIN GOLD PLATING OVER Ni PLATING

DIMENSIONS:		TOLERANCES UNLESS OTHERWISE SPECIFIED		DWN	K.IKEDA	7/DEC/'98
mm				CHK	N.MATSUBARA	7/DEC/'98
		±0.3		APVD	I.HASEGAWA	7/DEC/'98
		>10 : ±0.35		PRODUCT SPEC		
		>30 : ±0.4		108-5619		
		ANGLE : ±3'		APPLICATION SPEC		
MATERIAL		FINISH		114-5258		
(COPPER ALLOY)		SEE NOTE		WEIGHT		
				CUSTOMER DRAWING		

WIRE RANGE		INSULATION DIA	
AWG #28~#24		0.88~1.5	
		TE Connectivity	
		NAME	
		TAB CONTACT "S" SIZE, L/P	
		<DYNAMIC D-2 SERIES>	
SIZE	CAGE CODE	DRAWING NO	RESTRICTED TO
A3	00779	C-1318112	-
SCALE		SHEET	REV
8-1		1 OF 1	C1