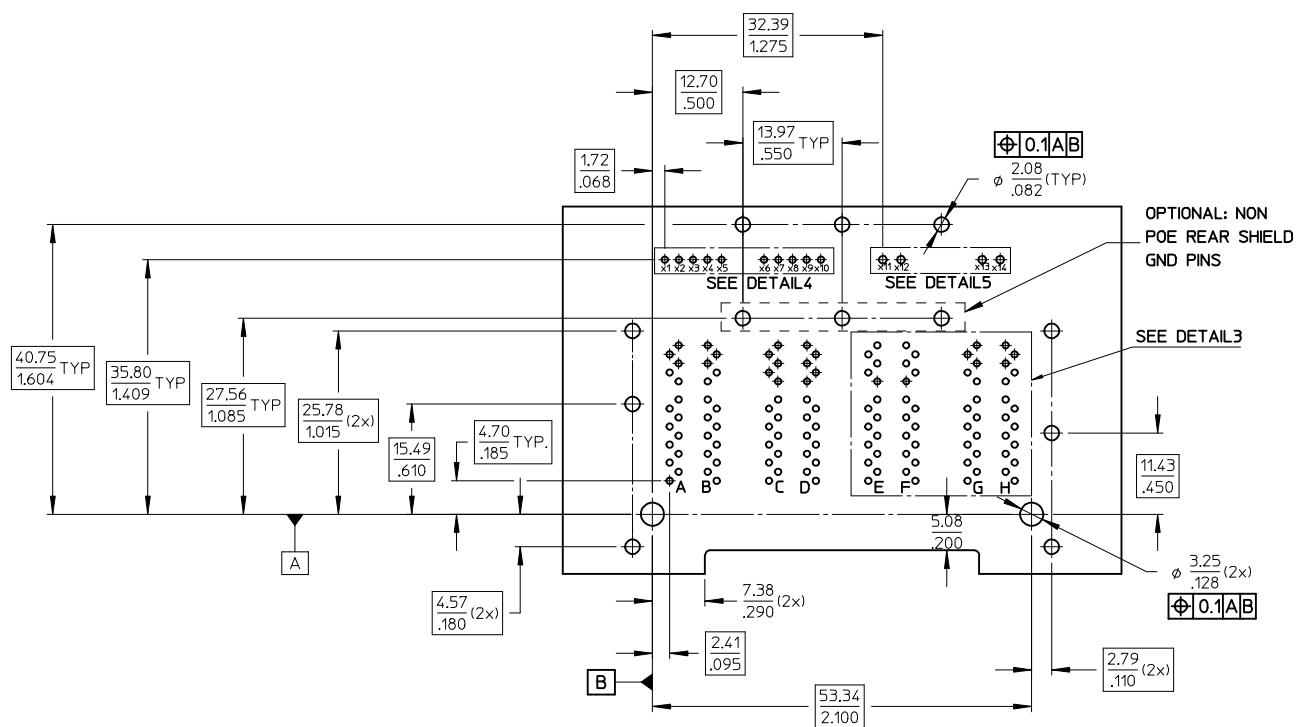
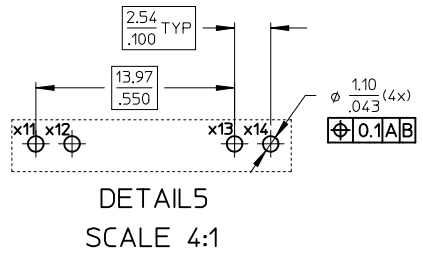
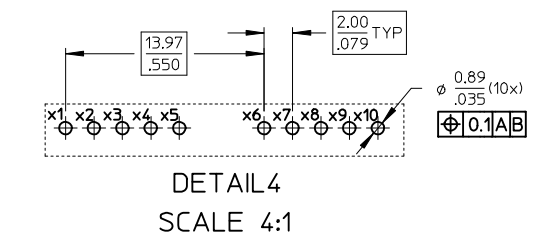
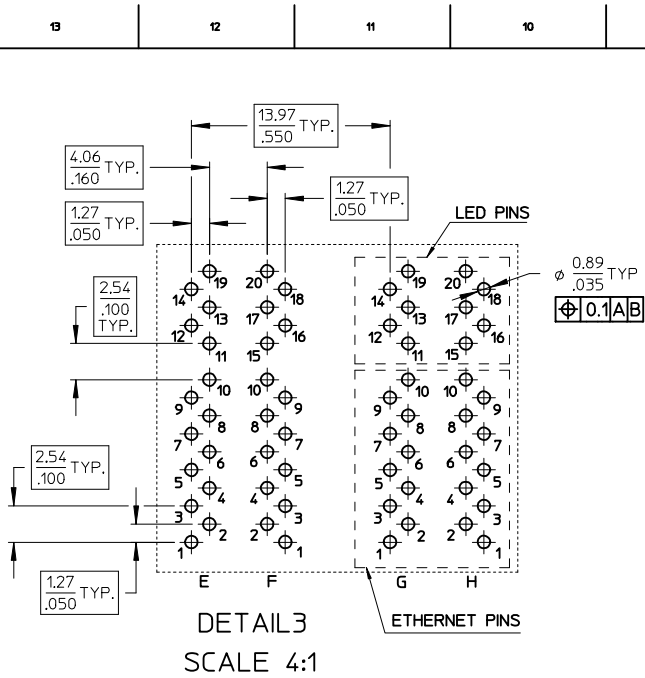


MATERIAL NUMBER	NUMBERS OF PORTS	DIM -C-	DIM -D-	SEE NOTE
85586-1003	4/4	4.0/0.157	3.8/0.150	12

PATENTS PENDING

- NOTES:
- SHIELD MATERIAL: BRASS, PLATING NICKEL
  - HOUSING MATERIAL: THERMOPLASTIC UL 94-V0, COLOR BLACK
  - TERMINAL: PHOSPHOR BRONZE  
PLATING:  
POSTPLATE OR SPOTPLATE 0.00127 / .00005 MIN GOLD  
OVER 0.00127 / .00005 MIN NICKEL IN CONTACT AREA  
0.00190 / .000075 MIN 100% TIN IN TAIL AREA, BOTH OVER  
0.00127 / .000050 MIN NICKEL OVER ALL.
  - JACK TO BE MATCHED WITH F.C.C. 68.5 PLUGS (MOLEX-PLUGS; 85568,95043,90075-SERIES)
  - PRODUCT SPECIFICATION: PS-85586-001
  - PACKAGING SPECIFICATION: PK-85586-001
  - RECOMMENDED PCB LAYOUT AND PANEL CUT OUT SEE SHEET 2
  - NO TRACES WITHOUT INSULATION ALLOWED ON BOARD PCB IN THIS DASHED AREAS UNDER THE METAL SHIELD
  - PIN LENGTH FOR RECOMMENDED PCB MAX. THICKNESS OF .140" REFER TO STANDARD IPC 610 REVISION C, CLASS 2
  - STAND-OFF PLANE TO CUSTOMER PCB
  - PLEASE REQUEST MOLEX FOR A FRENCH INSTALLATION MANUAL IF DISTRIBUTED IN CANADA

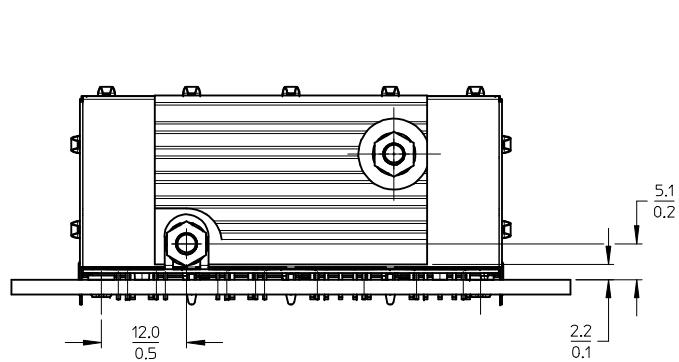
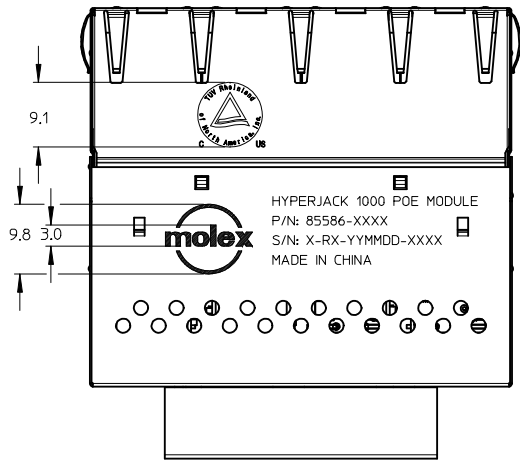
EC NO: MG2010-0061 DRWN: JBADER 2012/08/08 CHKD: MMANGARUDOV 2012/08/17 APPR: SSTE INKE 2012/12/04	QUALITY SYMBOLS ▽=0 ▽=0	GENERAL TOLERANCES (UNLESS SPECIFIED) mm INCH 4 PLACES ± --- ± --- 3 PLACES ± --- ± .006 2 PLACES ± 0.15 ± .01 1 PLACE ± 0.25 ± --- ANGULAR ± .5°	DIMENSION STYLE MM/IN	SCALE 2:1	DESIGN UNITS METRIC	THIRD ANGLE PROJECTION
	DRAWN BY: RSCHIEBER CHECKED BY: SSTE INKE APPROVED BY: AVOGT DATE: 2005/12/08 DATE: 2005/12/08 DATE: 2005/12/08	TITLE HYPERJACK 1000 POE-MODULE 2X4 W. POWER OVER PIN (POP), SWAPPED PORTS	MATERIAL NO. SEE CHART	DOCUMENT NO. SD-85586-013	SHEET NO. 1 OF 3	
DRAFT WHERE APPLICABLE MUST REMAIN WITHIN DIMENSIONS		THIS DRAWING CONTAINS INFORMATION THAT IS PROPRIETARY TO MOLEX INCORPORATED AND SHOULD NOT BE USED WITHOUT WRITTEN PERMISSION				



PRELIMINARY FOR  
PROTO 1

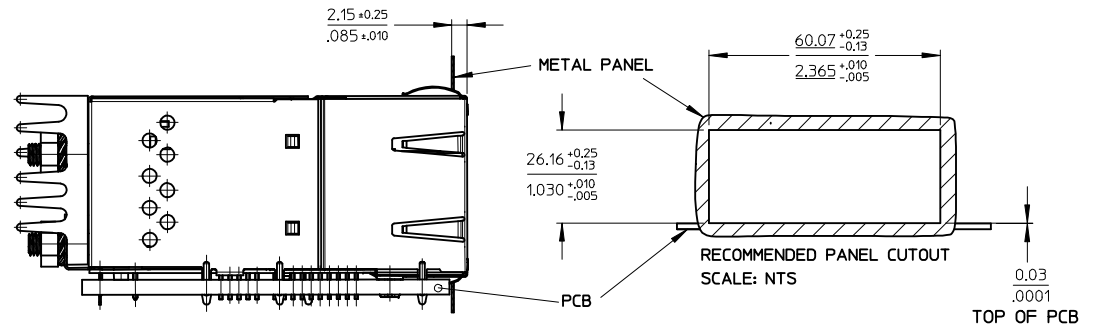
PATENTS PENDING

EC NO: MG2010-0061 DRAWN: JBADER 2012/08/08 CHKD: MANGARDOV 2012/08/27 APPR: SSTE INKE 2012/12/04	QUALITY SYMBOLS ▽=0 ▽=0	GENERAL TOLERANCES (UNLESS SPECIFIED) mm INCH 4 PLACES ± --- ± --- 3 PLACES ± --- ± .006 2 PLACES ± 0.15 ± .01 1 PLACE ± 0.25 ± --- ANGULAR ± .5°	DIMENSION STYLE MM/IN DRAWN BY DATE RSCHIEBER 2005/12/08 CHECKED BY DATE SSTE INKE 2005/12/08 APPROVED BY DATE AVOGT 2005/12/08	SCALE 2:1 DESIGN UNITS METRIC THIRD ANGLE PROJECTION	TITLE HYPERJACK 1000 POE-MODULE 2X4 W. POWER OVER PIN (POP), SWAPPED PORTS MOLEX INCORPORATED
	DRAFT WHERE APPLICABLE MUST REMAIN WITHIN DIMENSIONS	MATERIAL NO. SEE SHEET 1 SIZE A 2	DOCUMENT NO. SD-85586-013 SHEET NO. 2 OF 3	THIS DRAWING CONTAINS INFORMATION THAT IS PROPRIETARY TO MOLEX INCORPORATED AND SHOULD NOT BE USED WITHOUT WRITTEN PERMISSION	



NOTES:

- 1- MOLEX LOGO, TUV LOGO AND INSCRIPTION TO BE MARKED WITH LASER PRINTER
- 2- INSCRIPTION:
  - 1st LINE: PART NAME
  - 2nd LINE: PART NUMBER
  - 3rd LINE: SERIES NUMBER -> MANUFACTURER ID - CONNECTOR REVISION - DATE CODE (YEAR, MONTH, DAY) - CONSECUTIVE NUMBER
  - 4th LINE: COUNTRY OF ORIGIN



EC NO: MG2010-0061 DRWN: JBADER 2012/08/08 CHKD: MMANGARUDOV 2012/08/27 APPR: SSTE INKE 2012/12/04	QUALITY SYMBOLS ▽=0 ▽=0	GENERAL TOLERANCES (UNLESS SPECIFIED)		DIMENSION STYLE <b>MM/IN</b>		SCALE <b>2:1</b>	DESIGN UNITS <b>METRIC</b>	THIRD ANGLE PROJECTION
		4 PLACES ± --- ± --- 3 PLACES ± --- ± .006 2 PLACES ± 0.15 ± .01 1 PLACE ± 0.25 ± --- ANGULAR ± .5 °	mm INCH	DRAWN BY RSCHIEBER	DATE 2005/12/08	TITLE <b>HYPERJACK 1000 POE-MODULE 2X4 W. POWER OVER PIN (POP), SWAPPED PORTS</b>		
DRAFT WHERE APPLICABLE MUST REMAIN WITHIN DIMENSIONS	<b>SEE SHEET 1</b>	MATERIAL NO. <b>SD-85586-013</b>		APPROVED BY AVOGT		DATE 2005/12/08		MOLEX INCORPORATED
		DOCUMENT NO. <b>SD-85586-013</b>		SHEET NO. <b>3 OF 3</b>		THIS DRAWING CONTAINS INFORMATION THAT IS PROPRIETARY TO MOLEX INCORPORATED AND SHOULD NOT BE USED WITHOUT WRITTEN PERMISSION		