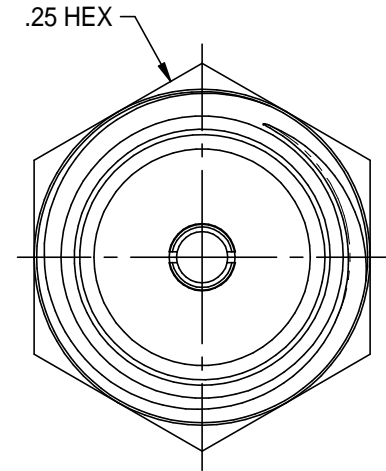


SMA FEMALE  
PER MIL-STD-348  
FIGURE 310-2



NOTES: UNLESS OTHERWISE SPECIFIED.

1. SPECIFICATIONS:

- 1.1 FREQUENCY RANGE: DC TO 18.0 GHz
- 1.2 MAXIMUM INPUT POWER: 0.5 WATTS @ +25°C  
DERATED LINEARLY TO 0 WATTS @ +125°C
- 1.3 OPERATING TEMP. RANGE: -55°C TO +125°C
- 1.4 IMPEDANCE: 50 OHM NOMINAL
- 1.5 VSWR: 1.05 +0.008f (GHz)
- 1.6 FINISH: PASSIVATED STAINLESS STEEL

		<b>Midwest Microwave</b>	
		Title: TERMINATION	
<small>This PROPRIETARY Document is property of Emerson Network Power Connectivity Solutions. It is confidential in nature, non-transferable, and issued with the clear understanding that it is not tracked or copied without permission and is retrievable upon demand.</small> <small>INTERPRET DRAWING IN ACCORDANCE WITH ASME Y14.5-2009.</small>	<small>UNLESS OTHERWISE SPECIFIED</small> UNITS: INCH .XX ±.02 .XXX ±.005 ANGLES ±2°	Model No. TRM-2444-F0-SMA-02	
	Size A	DO NOT SCALE DRAWING	Date: 1/14/2014