

NOTES:

1. MATERIALS AND FINISHES:  
 BODY - PHOSPHOR BRONZE, NICKEL PLATING  
 SHELL - BRASS, NICKEL PLATING  
 CONTACT PIN - BRASS, GOLD PLATING  
 INSULATORS - PTFE, NATURAL  
 SPRING - BeCu, NICKEL PLATING  
 GASKET - RUBBER, RED

2. ELECTRICAL:  
 A. IMPEDANCE: 75 OHM  
 B. FREQUENCY RANGE: DC - 12 GHz  
 C. RETURN LOSS: 20 dB MIN @ DC - 6 GHz  
 15 dB MIN @ 6 - 12 GHz  
 D. DIELECTRIC WITHSTANDING VOLTAGE: 1500 VRMS, MIN.

3. MECHANICAL:  
 A. DURABILITY: 500 CYCLES MIN.  
 B. TEMPERATURE RANGE: -30° C TO + 85° C

4. CRIMPED FERRULE  
 HEX. CRIMP SIZE .319"

5. CRIMPED CONTACT PIN  
 HEX. CRIMP SIZE .042"

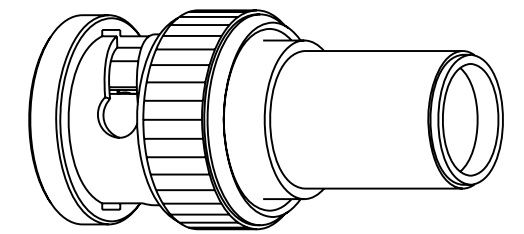
6 SHOWS CABLE ENTRY DIMENSIONS

7. PACKAGING:  
 A. QUANTITY: SINGLE PACK  
 B. BAG TO BE MARKED: AMPHENOL RF  
 31-70548-12G  
 YYWW

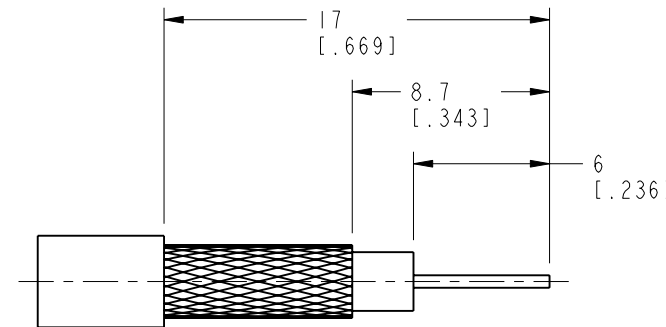
THIRD ANGLE PROJ.

REVISIONS

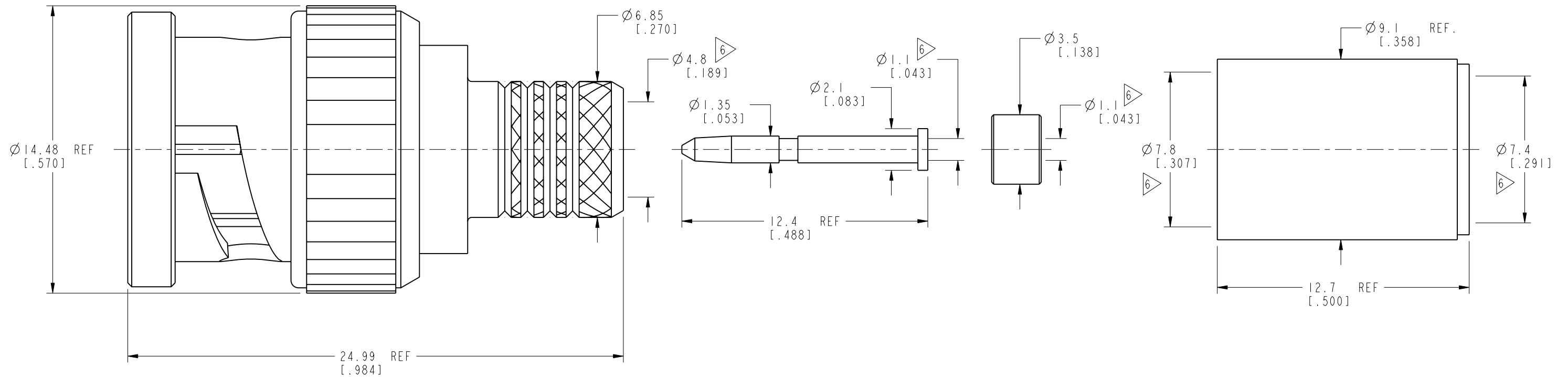
REV	DESCRIPTION	DATE	ECO	APPR
A	RELEASE TO MFG.	14-May-18	08066	SV



SCALE 2.000



RECOMMENDED CABLE STRIPPING DIMENSIONS



**CUSTOMER OUTLINE DRAWING**

ALL OTHER SHEETS ARE FOR INTERNAL USE ONLY

UNLESS OTHERWISE SPECIFIED, DIMENSIONS ARE IN METRIC AND TOLERANCES ARE: <0.5mm ±0.05mm    0.5 - 6mm ±0.1mm    6 - 30mm ±0.2mm    30 - 120mm ±0.3mm    ANGLES ±1°	MATERIAL	DRAWN	DATE	TITLE BNC CRIMP PLUG-75 OHM (BELDEN 4694R CABLE)		Amphenol RF www.amphenolrf.com	
	-	STAR	17-May-18				
NOTICE - These drawings, specifications, or other data (1) are, and remain the property of Amphenol corp. (2) must be returned upon request; and (3) are confidential and not to be disclosed to any person other than those to whom they are given by Amphenol Corp. the furnishing of these drawings, specifications, or other data by Amphenol Corp., or to any other person to anyone for any purpose is not to be regarded by implication or otherwise in any manner licensing, granting rights to permitting such holder or any other person to manufacture, use or sell any product, process or design, patented or otherwise, that may in any way be related to or disclosed by said drawings, specifications, or other data.	REFERENCE	ENGINEER	DATE	SCALE: 3.0:1.0		SHEET 2 OF 2	
	8048 AND	SUNDE	17-May-18	DWG SIZE		REV	
	CONFIGURATION LEVEL: In Work	APPROVED	DATE	B		A	
FINISH	S.HSIEH	17-May-18			DRAWING NO. 31-70548-12G		ITEM NO. 31-70548-12G
					PART NO. 31-70548-12G		