

Type 2 surge protection device - VAL-CP-3C-175 - 2859466

Please be informed that the data shown in this PDF Document is generated from our Online Catalog. Please find the complete data in the user's documentation. Our General Terms of Use for Downloads are valid (<http://download.phoenixcontact.com>)



Pluggable type 2 arrester (surge arrester) for 3-phase current supply networks with N and PE in a common conductor (4-conductor system: L1, L2, L3, PEN), with remote indication contact. Overall width: 36 mm.

Why buy this product

- With or without floating remote indication contact
- Plugs can be checked with CHECKMASTER
- High continuous voltage of 350 V AC for 230/400 V AC networks with high voltage fluctuations
- Mechanical keying of all slots
- Optical, mechanical status indication for the individual arresters
- Type 2 consistent plug-in surge arresters
- Disconnect device on each individual plug
- Use of varistors that are free of leakage current
- Modular arrester blocks with ultra-narrow design



Key commercial data

Packing unit	1
Minimum order quantity	1
Catalog page	Page 32 (TT-2011)
GTIN	 4 046356 045469
Custom tariff number	85369010
Country of origin	GERMANY

Technical data

Standards

Housing material	PBT
Inflammability class according to UL 94	V0
Color	gray
Standards for air and creepage distances	DIN VDE 0110-1
Standards for air and creepage distances	IEC 60664-1
Standards for air and creepage distances	IEC 61643-1
Surge voltage category	III

Type 2 surge protection device - VAL-CP-3C-175 - 2859466

Technical data

Standards

Pollution degree	2
Degree of protection	IP20
Mounting type	DIN rail: 35 mm
Design	DIN rail module, two-section, divisible
Number of positions	3
Ambient temperature (operation)	-40 °C ... 80 °C
Message: Surge protection fault	Optical, remote indicator contact
Direction of action	3L-N/PE
Width	37.25 mm
Height	98.5 mm
Depth	70 mm

Protective circuit

IEC category	II
IEC category	T2
EN type	T2
Nominal voltage UN	120 V AC (3P/PEN)
Nominal voltage UN	208 V AC (Phase - Phase)
Arrester rated voltage UC	175 V AC
Arrester rated voltage UC (L-PEN)	175 V AC
UT (TOV-proof)	240 V AC (5 s)
Nominal frequency fN	50 Hz
Nominal frequency fN	60 Hz
Nominal load current IL	40 A (40 A ... 63 A)
Nominal load current IL	63 A (10 mm ²)
Ground conductor current IPE	≤ 300 µA
Standby power consumption PC	≤ 17.5 mW
Max. discharge surge current I _{max} (8/20) µs maximum (L-PEN)	120 kA (all channels)
Nominal discharge surge current I _n (8/20) µs (L-PEN)	20 kA (per channel)
Nominal discharge surge current I _n (8/20) µs (L-PEN)	60 kA (all channels)
Protection level UP (L-PEN)	≤ 850 V (at I _n)
Residual voltage (L-PEN)	≤ 700 V (at 10 kA)
Residual voltage (L-PEN)	≤ 600 V (at 5 kA)
Residual voltage (L-PEN)	≤ 550 V (at 3 kA)
Residual voltage (L-PEN)	≤ 850 V
Response time (L-N)	≤ 25 ns
Max. required backup fuse with branch wiring	125 A (gL/gG)
Max. required backup fuse with V-type through wiring	40 A (gL/gG)
Short-circuit resistance IP with max. backup fuse (effective)	25 kA

Connection, protective circuit

Connection method	Screw connection
Connection type IN	Biconnect screw terminal block
Connection type OUT	Biconnect screw terminal block

Type 2 surge protection device - VAL-CP-3C-175 - 2859466

Technical data

Connection, protective circuit

Connection method	Biconnect terminal block
Screw thread	M5
Tightening torque	4.5 Nm
Stripping length	16 mm
Conductor cross section stranded min.	2.5 mm ²
Conductor cross section stranded max.	16 mm ²
Conductor cross section solid min.	2.5 mm ²
Conductor cross section solid max.	25 mm ²
Conductor cross section AWG/kcmil min.	12
Conductor cross section AWG/kcmil max	4

Remote indicator contact

Connection name	Remote fault indicator contact
Switching function	PDT contact
Connection method	Pluggable screw connection
Screw thread	M2
Tightening torque	0.25 Nm
Stripping length	7 mm
Conductor cross section stranded min.	0.14 mm ²
Conductor cross section stranded max.	1.5 mm ²
Conductor cross section solid min.	0.14 mm ²
Conductor cross section solid max.	1.5 mm ²
Conductor cross section AWG/kcmil min.	28
Conductor cross section AWG/kcmil max	16
Maximum operating voltage U _{max} AC	250 V AC
Maximum operating voltage U _{max} DC	125 V DC
Max. operating current I _{max}	1 A AC (inductive)
Max. operating current I _{max}	1 A AC (ohmic)
Max. operating current I _{max}	30 mA DC (inductive)
Max. operating current I _{max}	200 mA DC (ohmic)
Min. permissible switching capacity	0.12 VA (12 V, 10 mA)

Standards

Standards/regulations	IEC 61643-1 1998
Standards/regulations	DIN EN 61643-11 2002
Standards/regulations	UL 1449
Standards/regulations	IEEE C62.1 / C62.34 / C62.45

Classifications

eclass

eCl@ss 4.0	27140201
eCl@ss 4.1	27130801
eCl@ss 5.0	27130801

Type 2 surge protection device - VAL-CP-3C-175 - 2859466

Classifications

eclass

eCl@ss 5.1	27130801
eCl@ss 6.0	27130805
eCl@ss 7.0	27130805

etim

ETIM 2.0	EC000941
ETIM 3.0	EC000941
ETIM 4.0	EC000941

unspsc

UNSPSC 6.01	30212010
UNSPSC 7.0901	39121610
UNSPSC 11	39121610
UNSPSC 12.01	39121610
UNSPSC 13.2	39121620

Approvals

Approvals

Approvals

UL Recognized / KEMA-KEUR / cUL Recognized / GOST / IECCEB Scheme / cULus Recognized

Ex Approvals

Approvals submitted

Approval details

UL Recognized

KEMA-KEUR

cUL Recognized

Type 2 surge protection device - VAL-CP-3C-175 - 2859466

Approvals



IECEE CB Scheme

cULus Recognized 

Accessories

Accessories

Bridges

Wiring bridge - MPB SET VAL-CP-3S - 2880684



Wiring bridge set, consisting of three flexible bridges 15 cm black, 1 bridge 27 cm blue.

Marking

Zack Marker strip, flat - ZBF 12:UNBEDRUCKT - 0809735



Zack Marker strip, flat, Strip, white, Unlabeled, Can be labeled with: Plotter, Mounting type: Snap into flat marker groove, For terminal block width: 12 mm, Lettering field: 5.15 x 12.15 mm

Marker pen - X-PEN 0,35 - 0811228



Marker pen without ink cartridge, for manual labeling of markers, labeling extremely wipe-proof, line thickness 0.35 mm

Type 2 surge protection device - VAL-CP-3C-175 - 2859466

Accessories

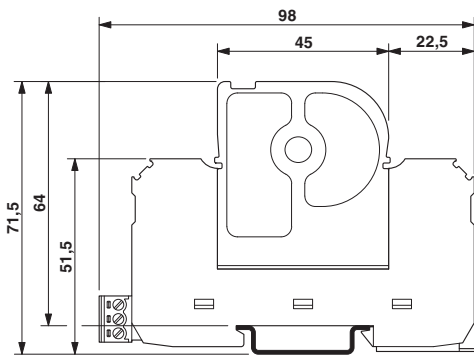
Flat zack marker sheet - ZBFM 5/WH:UNBEDRUCKT - 0803595

Flat zack marker sheet, Sheet, white, Unlabeled, Can be labeled with: Plotter, Mounting type: Snap into flat marker groove, For terminal block width: 5.2 mm, Lettering field: 5 x 4.5 mm



Drawings

Dimensioned drawing



Circuit diagram

