



Input

Rated input voltage	100 V- 240 V ac
Input voltage range	90 V to 264 V ac
Rated frequency	50-60 Hz
Frequency range	47-63 Hz
Rated input current	600 mA RMS max.
Inrush current	30A max at 115 / 60 A max. at 230 Vac cool start
Leakage current	0.25 mA

Output

Output voltage	5 Vdc at 3.2 A
Output min. current	0A
Line regulation	± 1%
Load regulation	± 6%
Over voltage protection	6.46 to 7.14 Vdc (output shut down)
Short circuit protection	output shut down and auto restart
Ripple voltage	150 mV (p-p) (100-240 Vac input at full load)
Efficiency	Energy Star compliant - level IV

Safety and EMI

HI-POT	input to output	3000 Vac or 4242 Vdc at 10 mA for 1 minute
Insulation resistance	input to output	> 100 M Ohm at 500 Vdc
Safety approvals	UL/cUL, CE, GS	
EMI standard	FCC, meets class B, CE, VCCI-II	
RoHS compliant	yes	

Environmental

Storage temperature	-10°C ~ +70° C
Storage humidity	10~90%
Operating temperature	0°C ~ +40° C
Operating relative humidity	20~80%



CUI INC

Part No: EMS050320-P5P-SZ

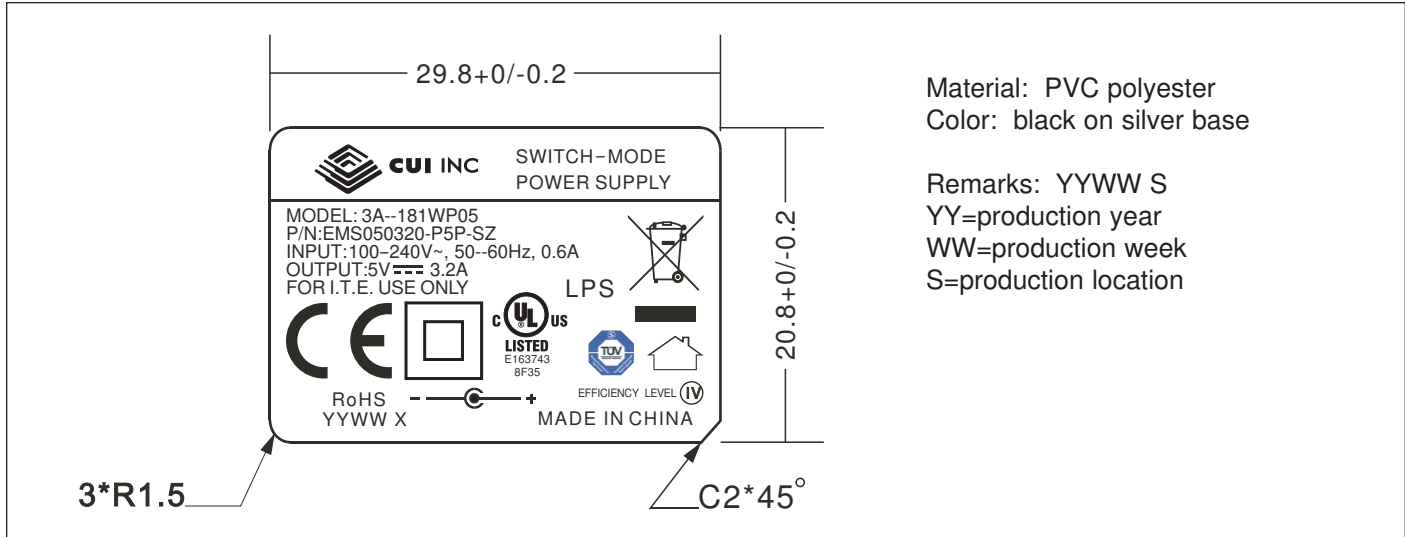
Date: 5/29/2007

Description: switching power supply
w/ interchangeable input blades

Unit: mm

Page No: 2 of 6

Label





CUI INC

Part No: EMS050320-P5P-SZ

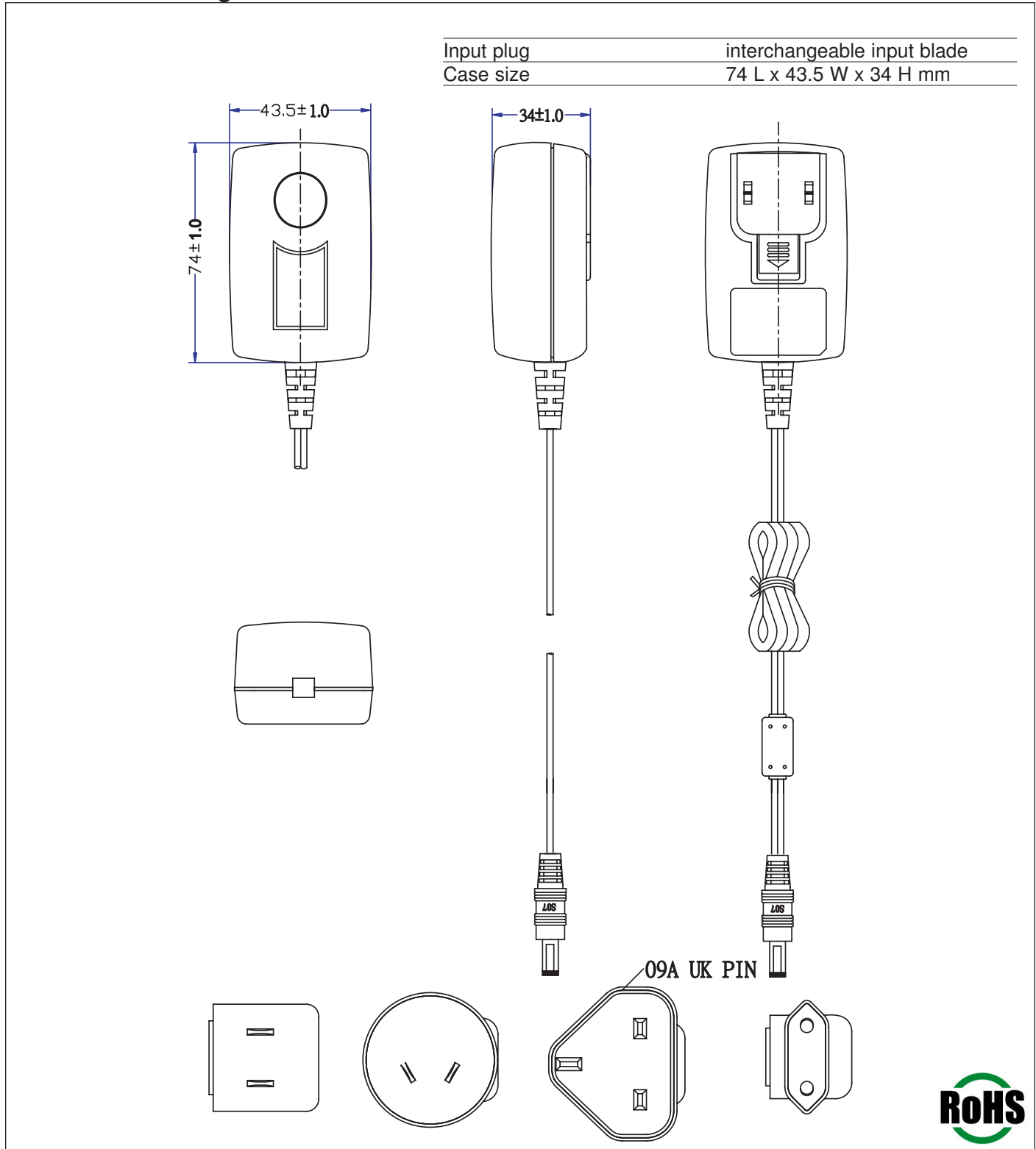
Description: switching power supply
w/ interchangeable input blades

Date: 5/29/2007

Unit: mm

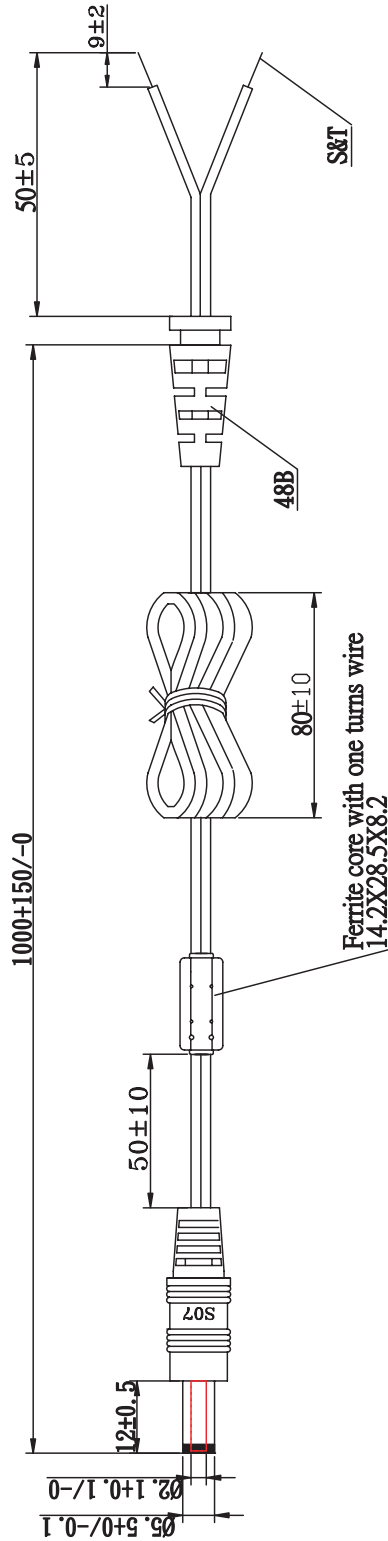
Page No: 3 of 6

Mechanical Drawing





DC Cord



#18AWG X2C SPT-1 HAVE ON WORD WIRE IN OUTER, NO WORD WIRE IN INNER

Wire OD: Ø2.7X5.4 - - - - - +

VIBRATION TEST	a. ±60°
	b. WEIGHT 200g
	c. 40 ROUND/MINUTE
	d. OVER 1000 COUNT MIN



CUI INC

Part No: EMS050320-P5P-SZ

Description: switching power supply
w/ interchangeable input blades

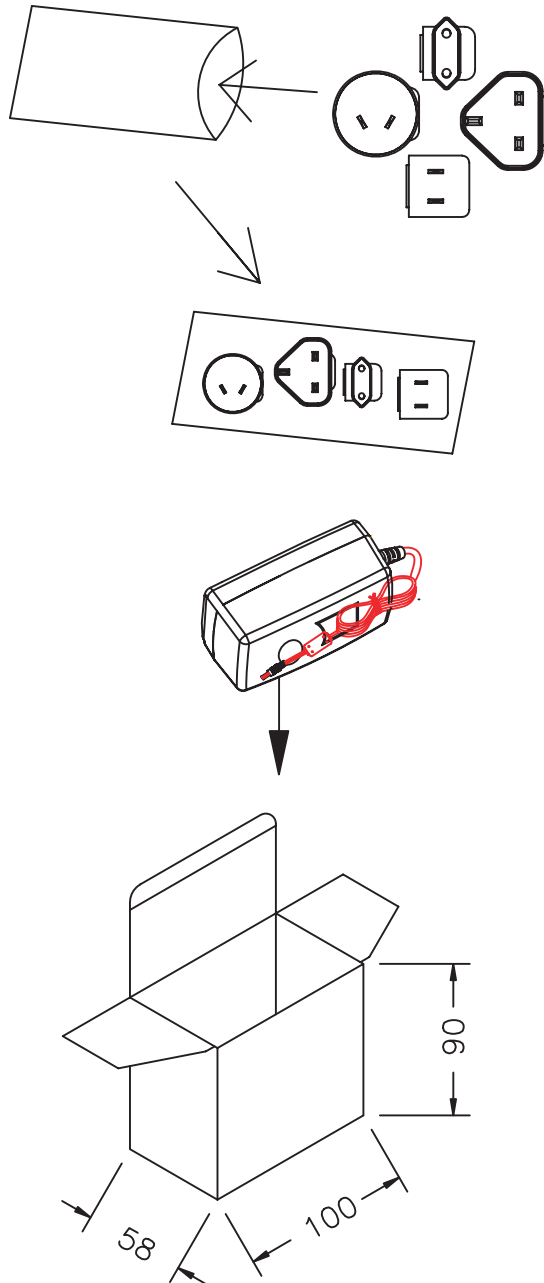
Date: 5/29/2007

Unit: mm

Page No: 5 of 6

Individual Packaging

Tolerance: ± 1



"RoHS Compliant"



CUI INC

Part No: EMS050320-P5P-SZ

Description: switching power supply
w/ interchangeable input blades

Date: 5/29/2007

Unit: mm

Page No: 6 of 6

Packaging

Tolerance: +7/-0

CARTON SIZE: 485X428X210mm

Q'TY: 60pcs(20x3x1)

"RoHS Compliant"

