

SUMMARY

Wires

Low	19
High	0
Coax	0
Triax	0
Quad	0
Fiber	0
Fluidic	0



Image is for illustrative purpose only

Download

[Request a quote](#)

[Catalog](#)

Series	2F
Termination type	
IP rating	68
Cable Ø	0.00 - 0.00 mm
Matching parts	
Status	
Alternative part	

TECHNICAL DETAILS

Mechanics

Shell Style/Model	HE*: Fixed receptacle, nut fixing, for printed circuit (back panel mounting)
Keying	3 keys (beta=165, gamma=30, plug: male contacts, receptacle: female contacts)
Housing Material	Environment friendly aluminium (nickel plated, anthracite color) shell and nut, other pieces bronze/brass
Cable Fixing	∅ 0 - 0 mm
Variant	P : Watertight

Performance

Configuration	2F.319 : 19 Low Voltage
Insulator	L: PEEK (UL 94 / V-0/3.2, depends on material thickness)
Rated Current	5 Amps

Specifications

Contact Type:	Solder
Max. Matings:	5000
Contact Dia.:	0.7 mm (0.028in)
Bucket Dia.:	0.8 mm (0.031in)
Max. Solid Conductor:	0.34 mm ² (AWG 22)

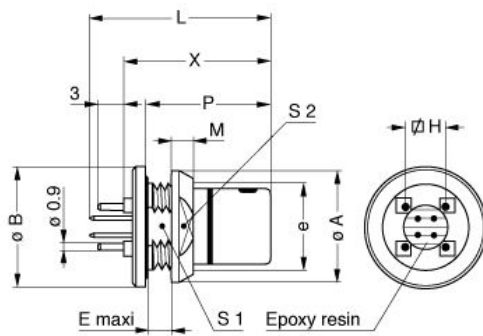
Max. Stranded Conductor: 0.34 mm² (AWG 22)
 R (max): 6.1 mOhm

Others

Endurance (Shell): 1000 mating cycles
 Temp (min / max): -15°C / +100°C
 Humidity (max): ≤95% [at 60 deg C / 140 F]
 Vibration: 15 g [10 Hz - 2000 Hz]
 Shock Resistance: 100 g [6 ms]
 Climatical Category: 15/200/21 (Aluminium shell)
 Pressure: 5 bars
 IP Rating: 68

DRAWINGS

Draws



Dimensions

	A	B	E	H	L	M	P	S1	S2	X	e
mm.	20	20	3	8.89	21.6	4	14.5	14.5	17	17.5	M16x1.0
in.	0,79	0,79	0,12	0,35	0,85	0,16	0,57	0,57	0,67	0,69	

RECOMMENDED BY LEMO




Tools

None

Cables



Property of LEMO SA. All rights reserved
 This document is not contractual

CMN.19.T22.079QGZE	TPR (medical)	Grey	
CMN.19.T22.080PGCE	PVC	GREY	
CMN.19.T22.080PGZE		Grey	
CMN.19.T22.080PNCE	PVC	Black	
CMN.19.T22.080PNZE			