

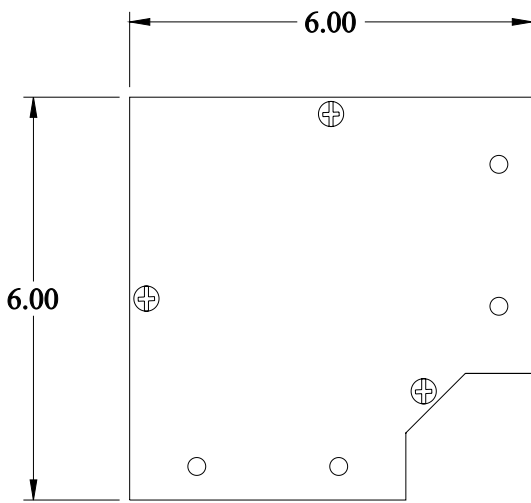
PART No. CWEL490

for more information visit

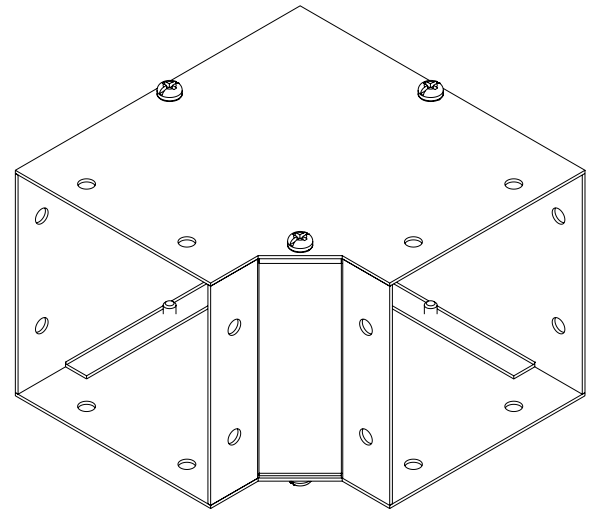
www.hammfg.com

Data subject to change without notice

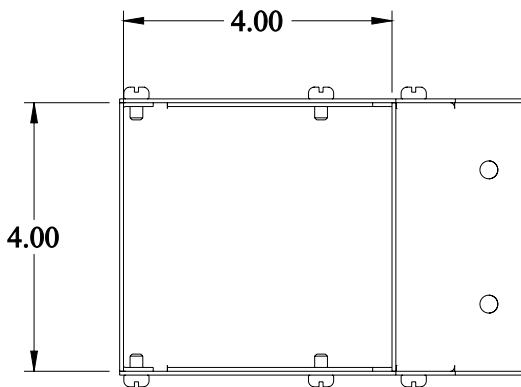
Isometric drawing Not to Scale



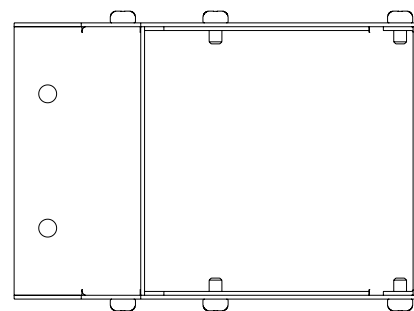
TOP VIEW



ISOMETRIC VIEW



FRONT VIEW



SIDE VIEW