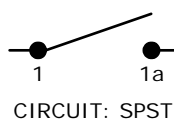


RECOMMENDED PANEL MOUNTING

PANEL THICKNESS	X
0.75-1.25	19.2-19.3
1.25-2.00	19.3-19.4
2.00-3.00	19.5-19.6

SWITCH FUNCTION		
POS. 1	POS. 2	POS. 3
ON	NONE	OFF
1-1a	N/A	OPEN



NOTES:

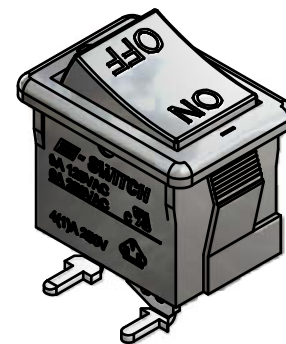
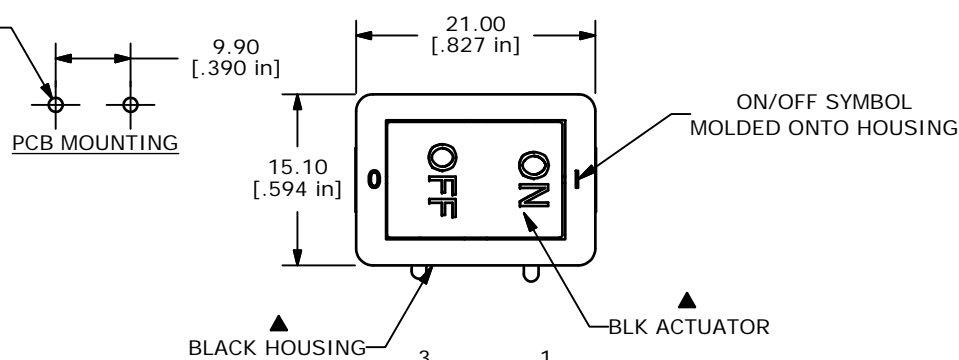
- ALL DIMENSIONS IN MM [INCH]
- GENERAL TOLERANCE: X.X=±0.4  
X.XX=±0.25

- RATING:  
6A @250VAC; 9A @125VAC (UL, CSA, VDE)

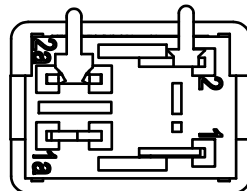
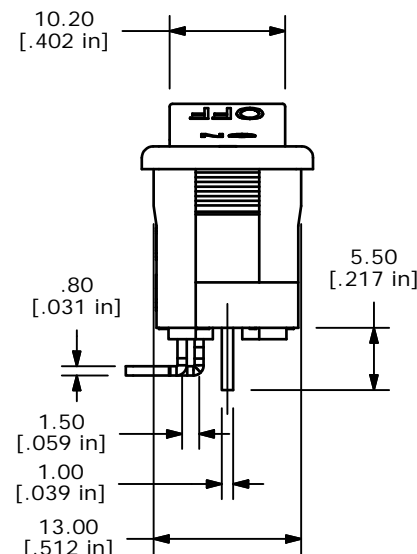
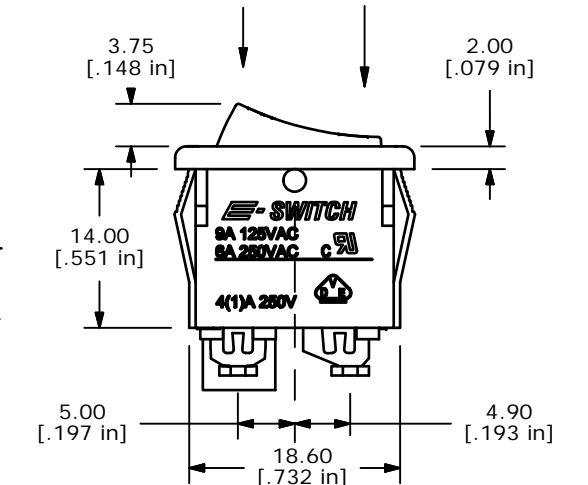
- LAMP VOLTAGE: NONE
- MATERIAL:

CONTACT SURFACE: COIN SILVER, SILVER PLATE  
TERMINAL: COPPER ALLOY W/SILVER PLATE.

- CONTACT RESISTANCE: 20 MILLI-OHMS TYP. INITIAL
- INSULATION RESISTANCE: 1000 MEGA-OHMS
- DIELECTRIC STRENGTH:  
>1500VAC
- MECHANICAL LIFE: 30,000 CYCLES.
- ELECTRICAL LIFE: 10,000 CYCLES
- OPERATING TEMP: -30°C TO 55°C
- ▲ DENOTES CRITICAL PARAMETER.
- 2002/95/EC (ROHS) COMPLIANT



ISOMETRIC



B	19740	CORRECT TERMINALS	03/09/11	BMA	TITLE R1973ABLKBLKIRO				
A	19733	RELEASE FOR PRODUCTION	03/04/11	BMA	SCALE 1.5:1				
REV	PCR NO	DESCRIPTION	DATE	BY	DATE	DR	DWG	REV	
THE INFORMATION CONTAINED IN THIS DOCUMENT IS PROPRIETARY TO E-SWITCH AND IS NOT TO BE COPIED OR TRANSFERRED					3/4/2011	BA	M400106	B	