

4

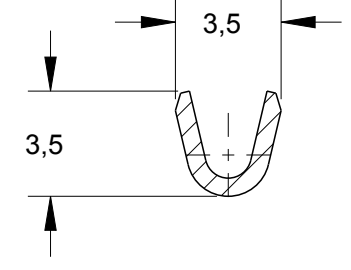
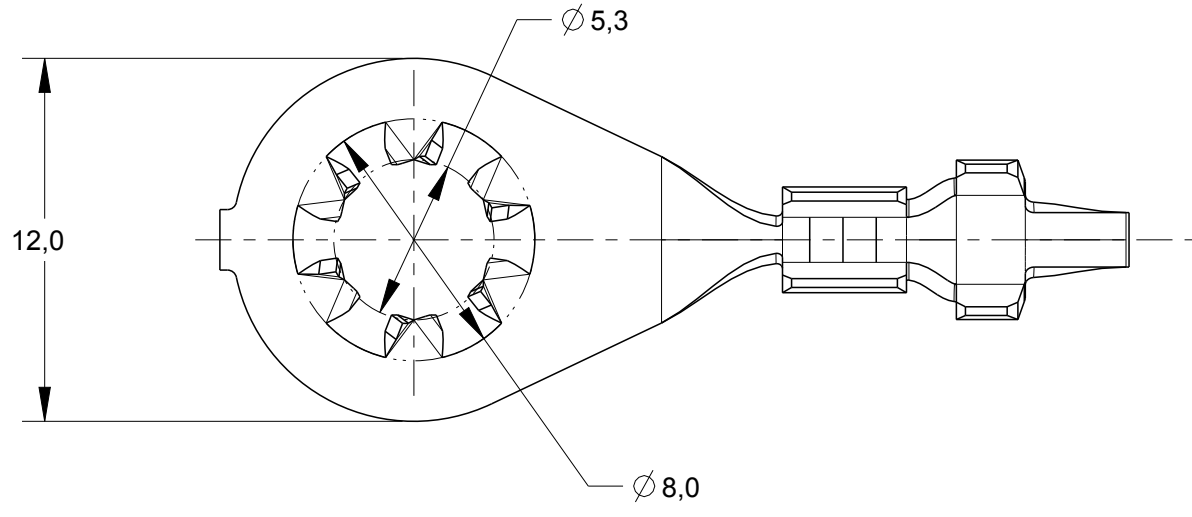
3

2

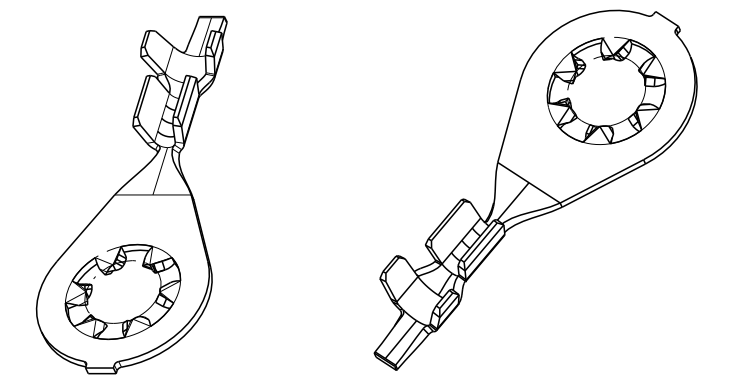
1

THIS DRAWING IS UNPUBLISHED. RELEASED FOR PUBLICATION 20
 © COPYRIGHT20 BY - ALL RIGHTS RESERVED.

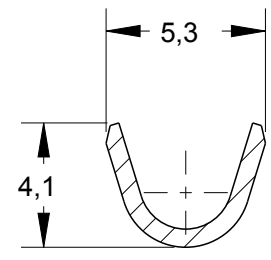
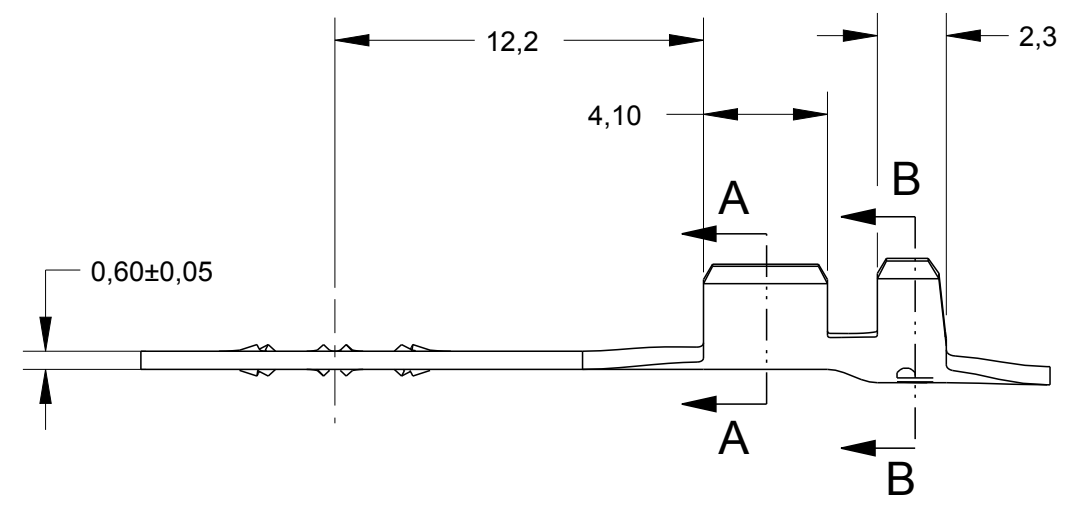
LOC	DIST	REVISIONS			
P	LTR	DESCRIPTION	DATE	DWN	APVD
-	-	C1	REDESIGNED BY ECO-12-008349	01JUN2012	FC GOJ



SECTION A-A



PERSPECTIVE VIEW
SCALE 2:1



SECTION B-B

WIRE RANGE (mm ²) 0,5 - 1,50	TIM PLATED	BRONZE FOSF. / PHOSP. BR.	626279-4
INSUL/ RANGE (∅ mm) 2,0 - 3,0	PLAIN / NU	BRONZE FOSF. / PHOSP. BR.	626279-3
SURF AREA 50 mm	TIM PLATED	LATÃO / BRASS	626279-2
	PLAIN / NU	LATÃO / BRASS	626279-1
	FINISH	MATERIAL	PART NO

THIS DRAWING IS A CONTROLLED DOCUMENT.		DWN 01JUN2012 F.CHAPELA																
DIMENSIONS: mm		CHK 01JUN2012 J.R.GOLDSCHIDT			NAME RING TONGUE (ANTIROTATIONAL)													
TOLERANCES UNLESS OTHERWISE SPECIFIED:		APVD 01JUN2012 G.OLIVEIRA																
<table border="1"> <tr><td>0 PLC</td><td>±-</td></tr> <tr><td>1 PLC</td><td>±0,3</td></tr> <tr><td>2 PLC</td><td>±-</td></tr> <tr><td>3 PLC</td><td>±-</td></tr> <tr><td>4 PLC</td><td>±-</td></tr> <tr><td>ANGLES</td><td>±1°</td></tr> </table>		0 PLC	±-	1 PLC	±0,3	2 PLC	±-	3 PLC	±-	4 PLC	±-	ANGLES	±1°	PRODUCT SPEC -	SIZE A3	CAGE CODE 00779	DRAWING NO C-626279C	RESTRICTED TO -
0 PLC	±-																	
1 PLC	±0,3																	
2 PLC	±-																	
3 PLC	±-																	
4 PLC	±-																	
ANGLES	±1°																	
MATERIAL -	FINISH -	APPLICATION SPEC -	WEIGHT -	CUSTOMER DRAWING		SCALE 4:1	SHEET 1 OF 1	REV C1										

