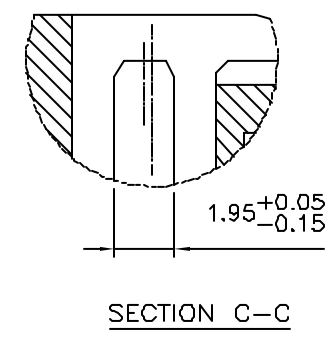
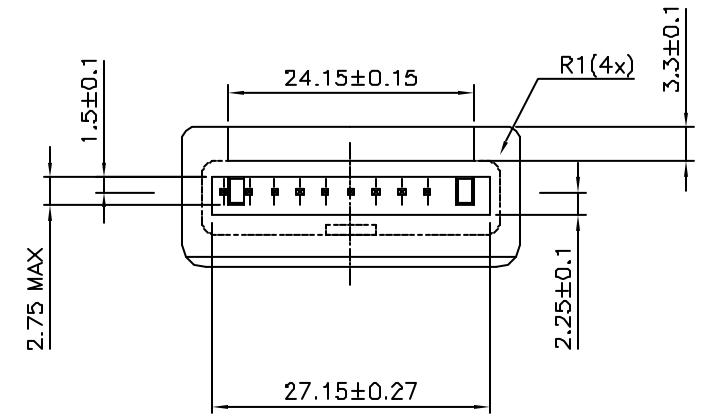
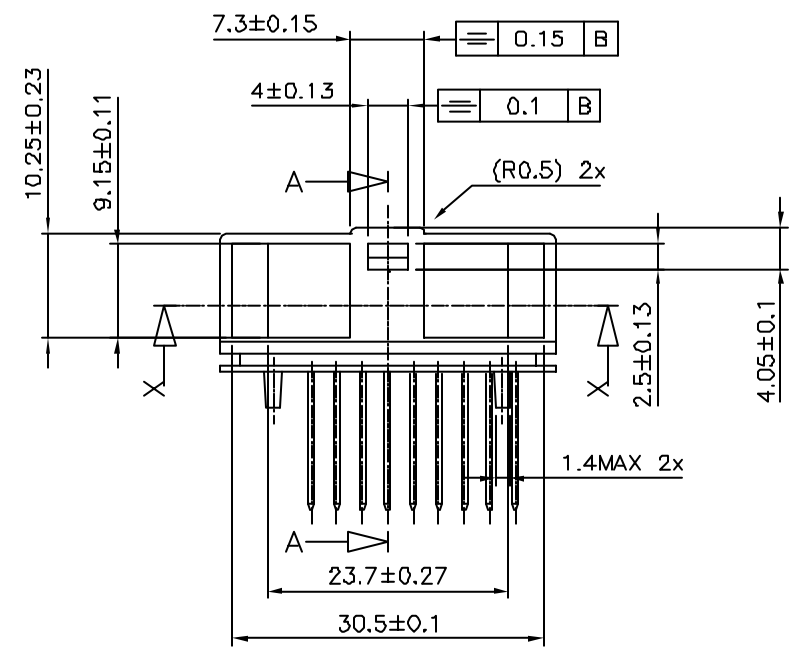
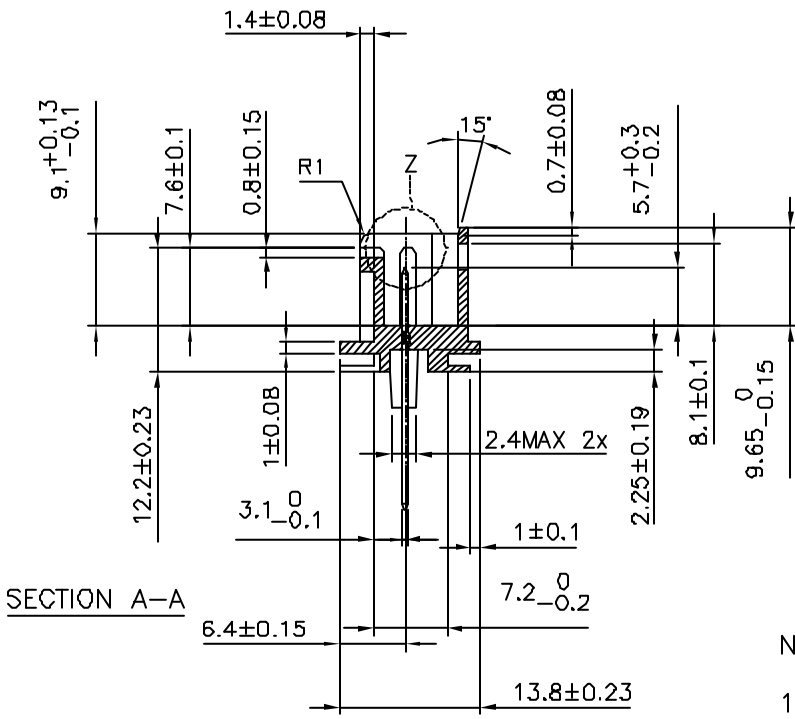
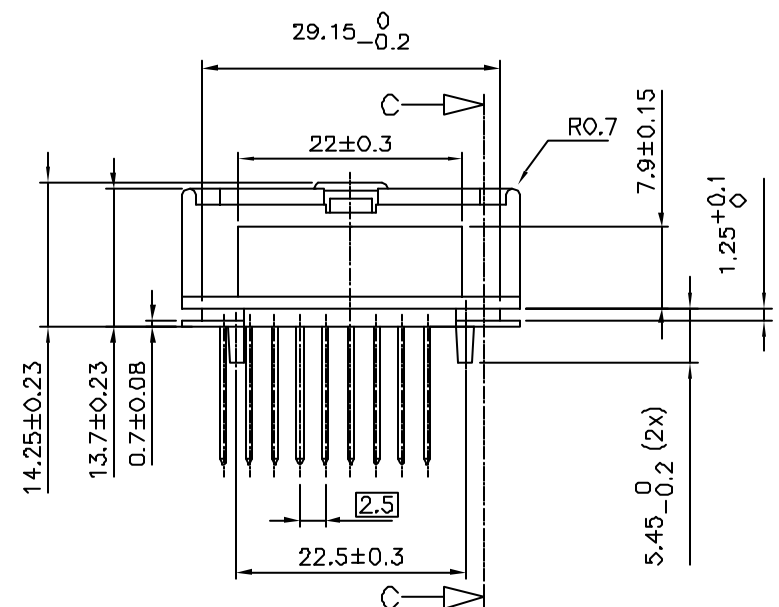
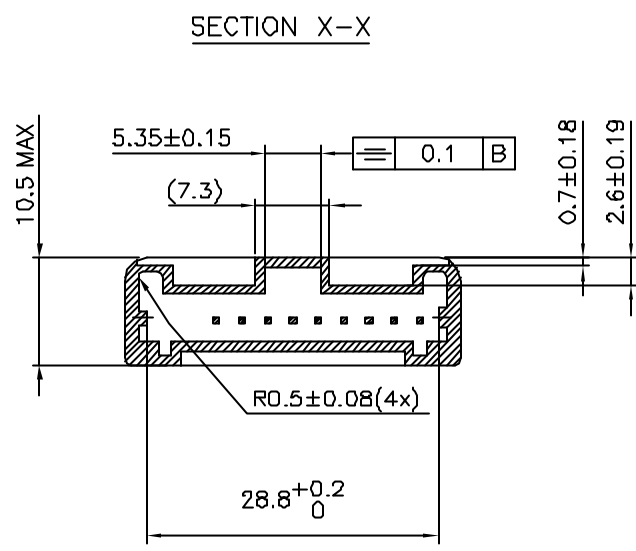
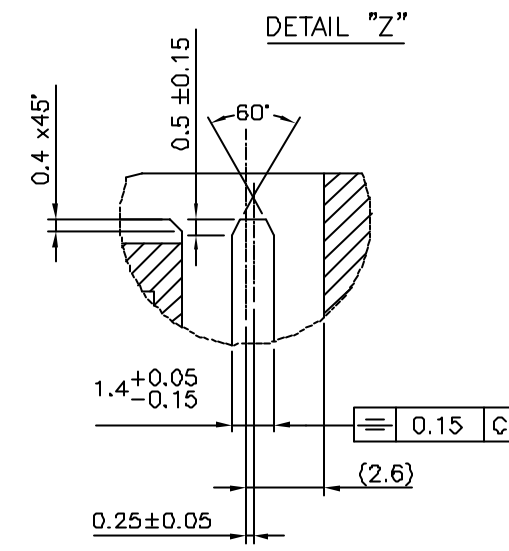
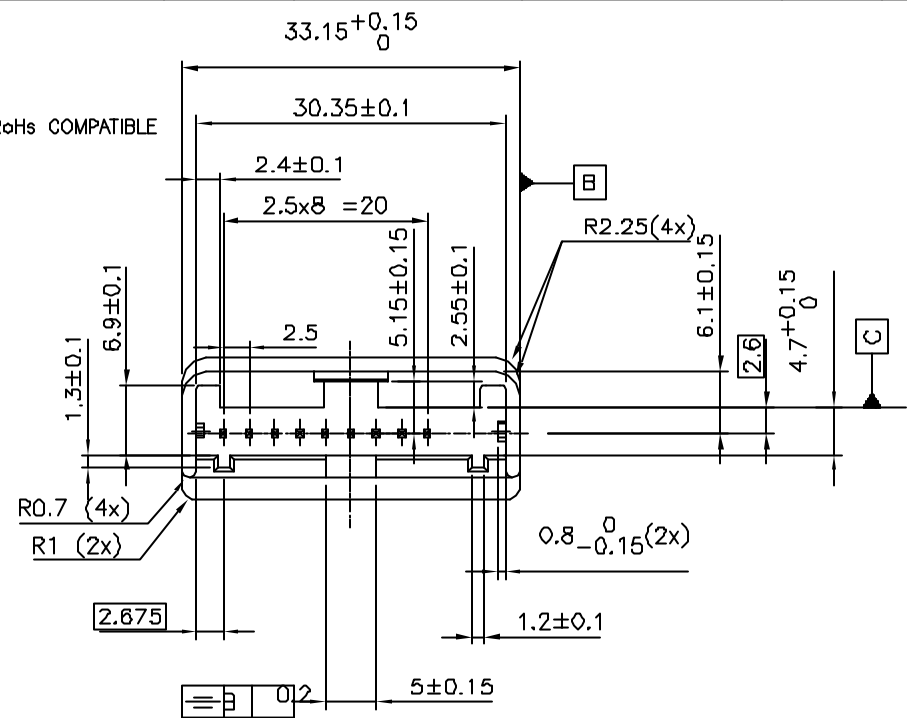


PRODUCT NUMBER  
95275-001LF

LEAD FREE, RoHS COMPATIBLE  
SEE NOTE 4.



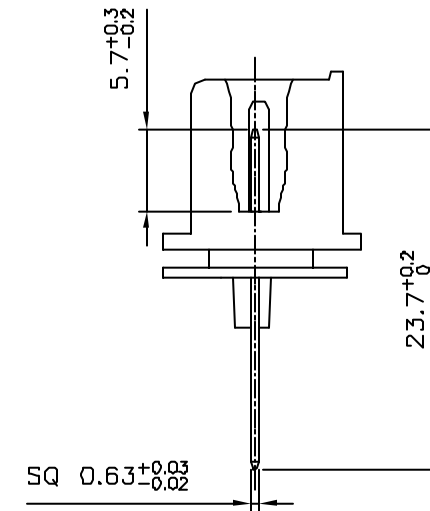
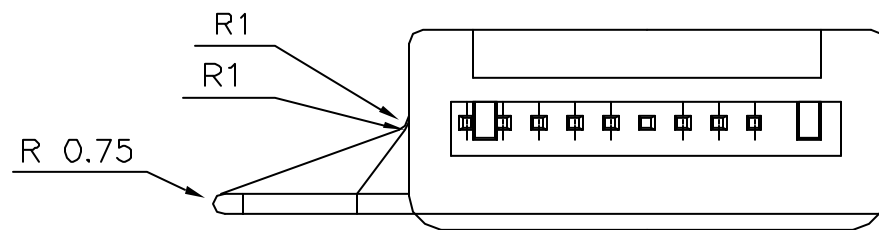
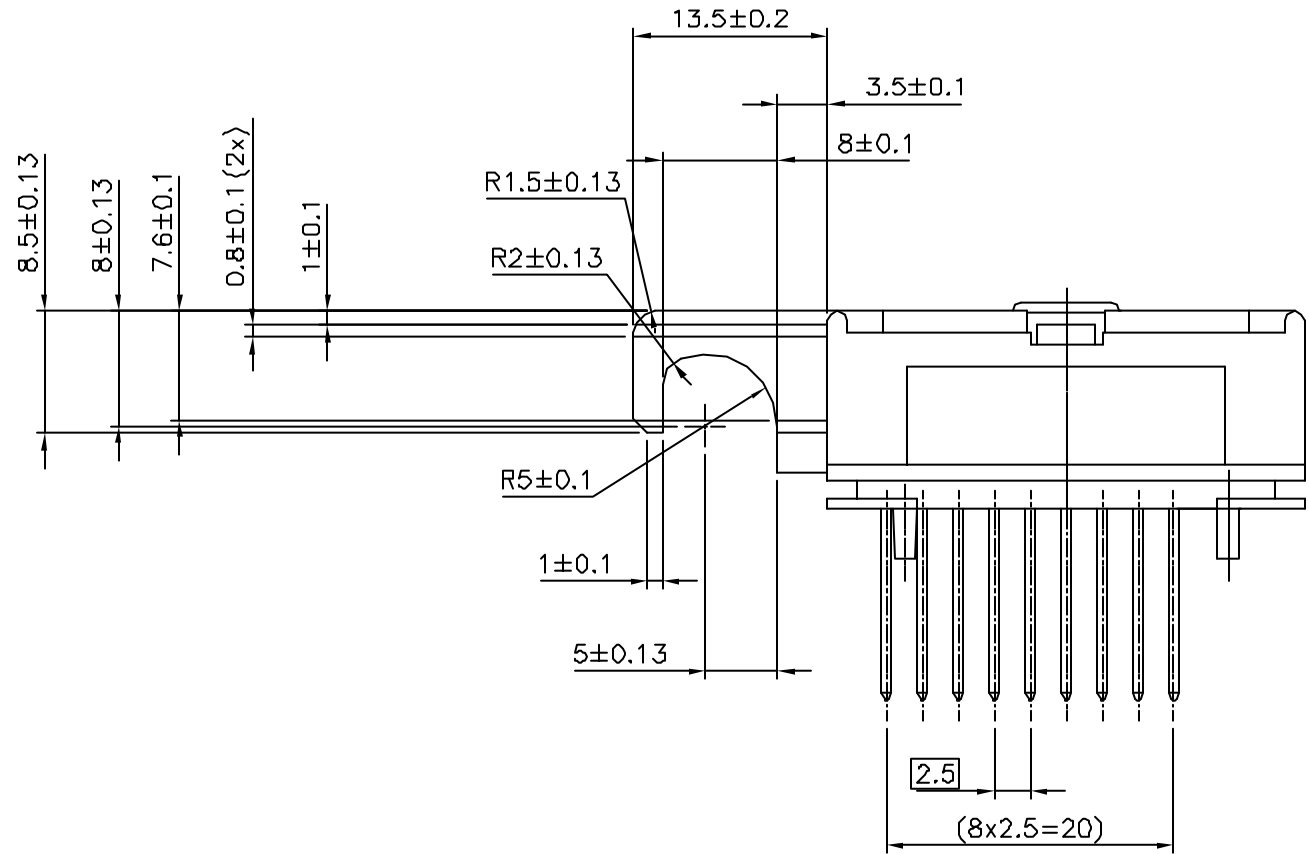
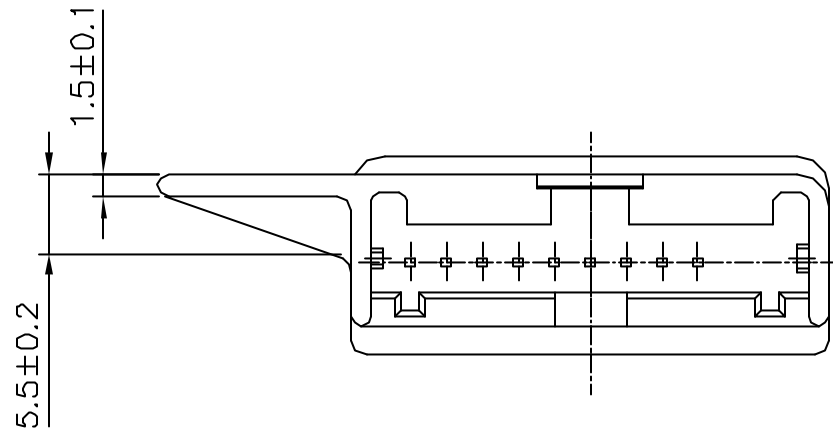
NOTES:

- 1 - MATERIAL: PLASTIC - PBT 30% GLASSFILLED COLOR BLACK  
PIN - PHOSPHOR BRONZE
  - 2 - PLATING : 3um-6um SnPb over 1.27umNi MIN
  - 3 - PIN PUSH OUT FORCE 30N MIN IN EITHER DIRECTION
  - 4 - PLATING 2.0um-7.5um MATTE TIN over 1.27um Ni MIN
- THIS PRODUCT MEETS EUROPEAN UNION DIRECTIVES AND OTHERS REGULATIONS.

mat'l. code		surface		tolerance		projection		product family	
		ISO 1312		ISO 416 ISO 1111		mm		HEADER	
ltr ecn no dr date		tolerances unless otherwise specified				title			
A F7D468 JMC 97.07.05		angles linear				HEADER BODY			
B F05-0419 LMU 06.01.03						2.5mm PITCH			
C F08-0196 LMU 06.06.20						scale 1:2			
		dr J COMPAGNON 97.D1.16				dwg no		sheet 1 of 2 size	
		engr JMC 97.07.05				95275		A3	
		chr				type		CUSTOMER Drawing	
		appd JMC 97.07.05							
sheet index	revision	C	C						
	sheet	1	2						

PRODUCT NUMBER  
95275-002LF

LEAD FREE, RoHS COMPATIBLE  
SEE NOTE 4, SHEET 1



mat'l. code SEE NOTE				surface ISO 1302 ✓	tolerance ISO 406 ISO 1101	projection 	product family HEADERS	
ltr	ecn no	dr	date	tolerances unless otherwise specified		mm 	title HEADER STR, SR, CABLE GUIDE	
A	F70468	JMC	97.07.05	angles	Linear		scale 1:1	dwg no 95275
B	F05-0419	LMU	06.01.03				sheet 2 of - size A3	
C	F06-0196	LMU	06.06.20				type CUSTOMER Drawing	
				dr	J COMPAGNON		97.01.16	
				enr	JMC	97.07.05		
				chr				
				appd	JMC	97.07.05		
sheet index	revision sheet							