



3.3 GHz Surface Mount BPF

B033ND5S



DLI • Novacap • Syfer • Voltronics

www.dilabs.com

www.knowlesc capacitors.com

DESCRIPTION

One of DLI's surface mountable catalog band-pass filters designed for the common radar band. This BPF incorporates DLI's high dielectric ceramic materials which provide small size and minimal performance variation over temperature. The catalog BPF's are offered in a variety of frequency bands, which offers a drop in solution with highly repeatable performance.

FEATURES

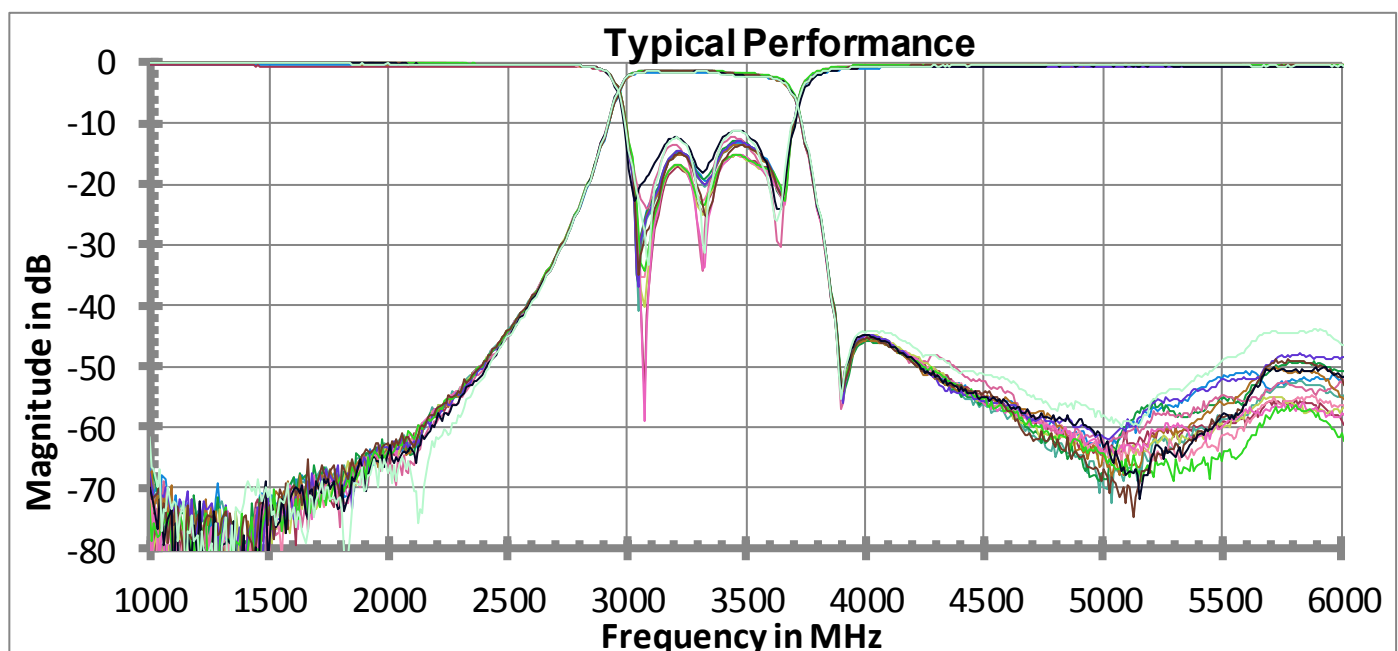
- Small Size
- Fully Shielded Component
- Frequency Stable over Temperature
- Solder Surface Mountable
- Excellent Repeatability
- Operating Temp: -55°C to +125°C
- Characteristic Impedance: 50Ω
- 100% Tested & Inspected

SPECIFICATIONS*

Passband (GHz)	3.1 to 3.5
Insertion Loss (dB)	2.5 dB @ 25°C
Attenuation (dB)	25 min @ 1000-2600 MHz
	30 min @ 4000-6000 MHz
Passband Return Loss (dB)	9.5 min @ 3100-3500 MHz
Size (LxWxH)	0.393 x 0.353 x 0.138 in

*Electrical specifications based on typical mounted performance at room temperature. Insertion loss shall vary ±0.5dB over temperature.

Typical Measured Performance





3.3 GHz Surface Mount BPF

B033ND5S

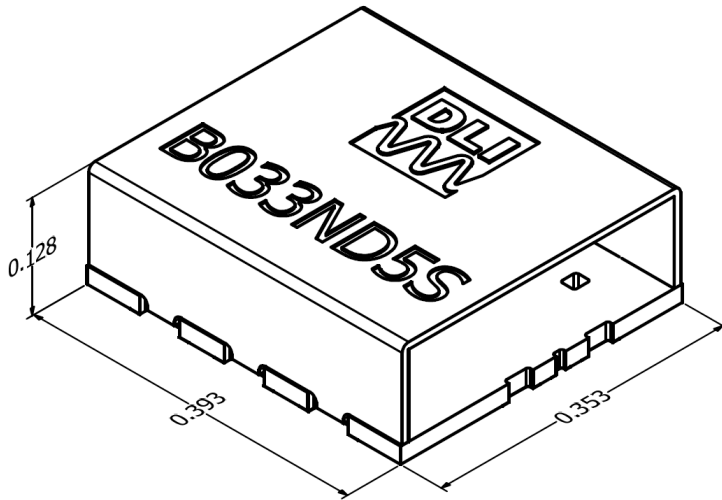


DLI • Novacap • Syfer • Voltronics

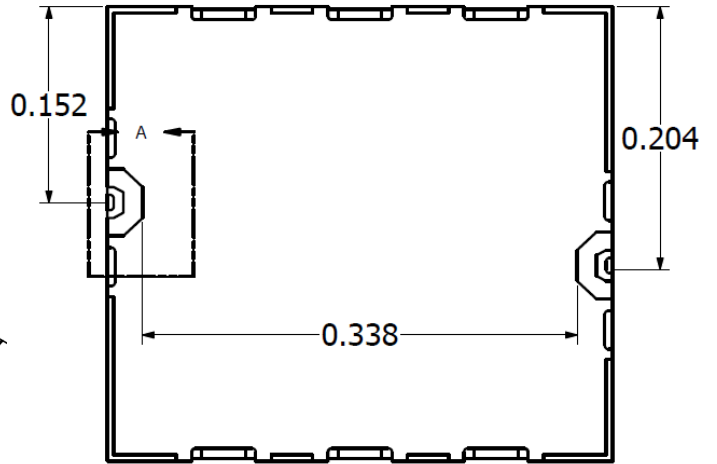
www.dilabs.com

www.knowlesc capacitors.com

Physical Dimensions

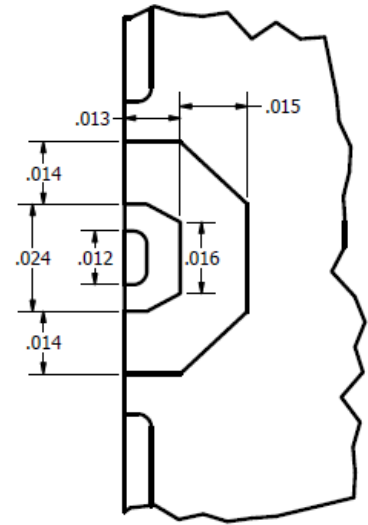
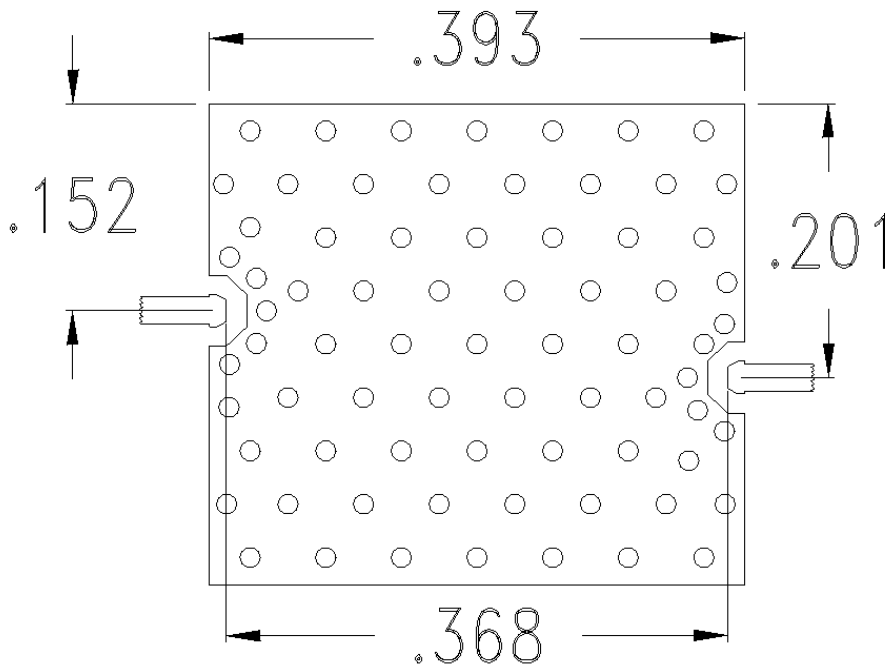


Isometric View



Bottom View

Recommended PCB Layout



DETAIL A

