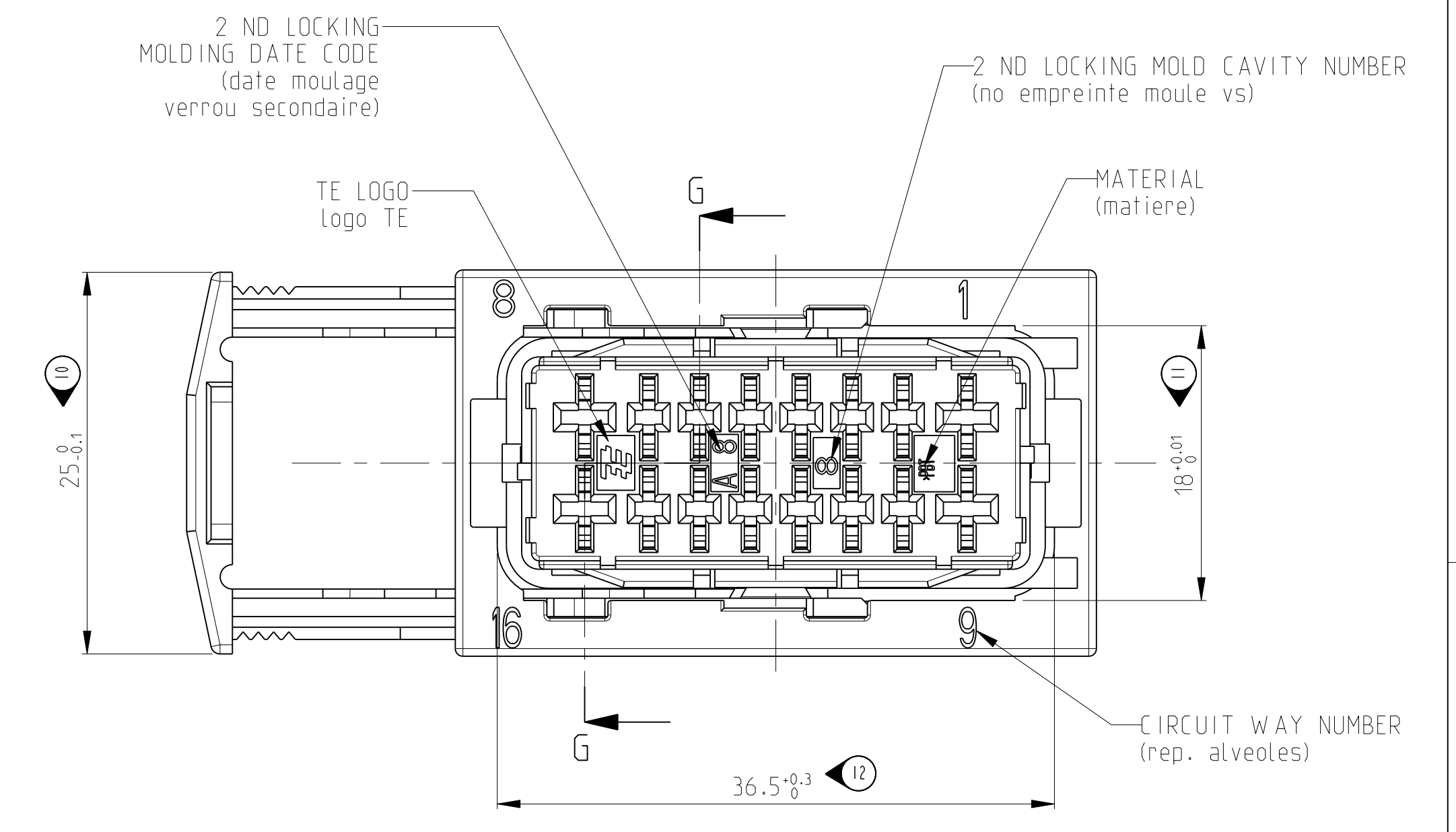
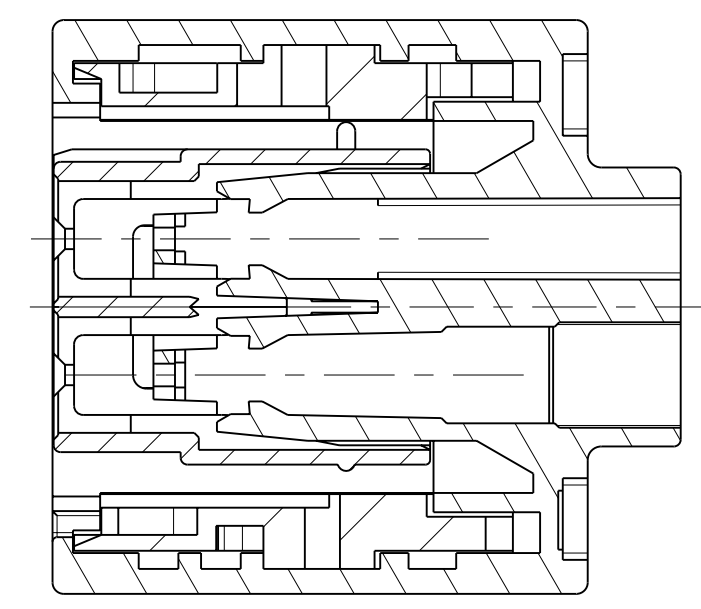
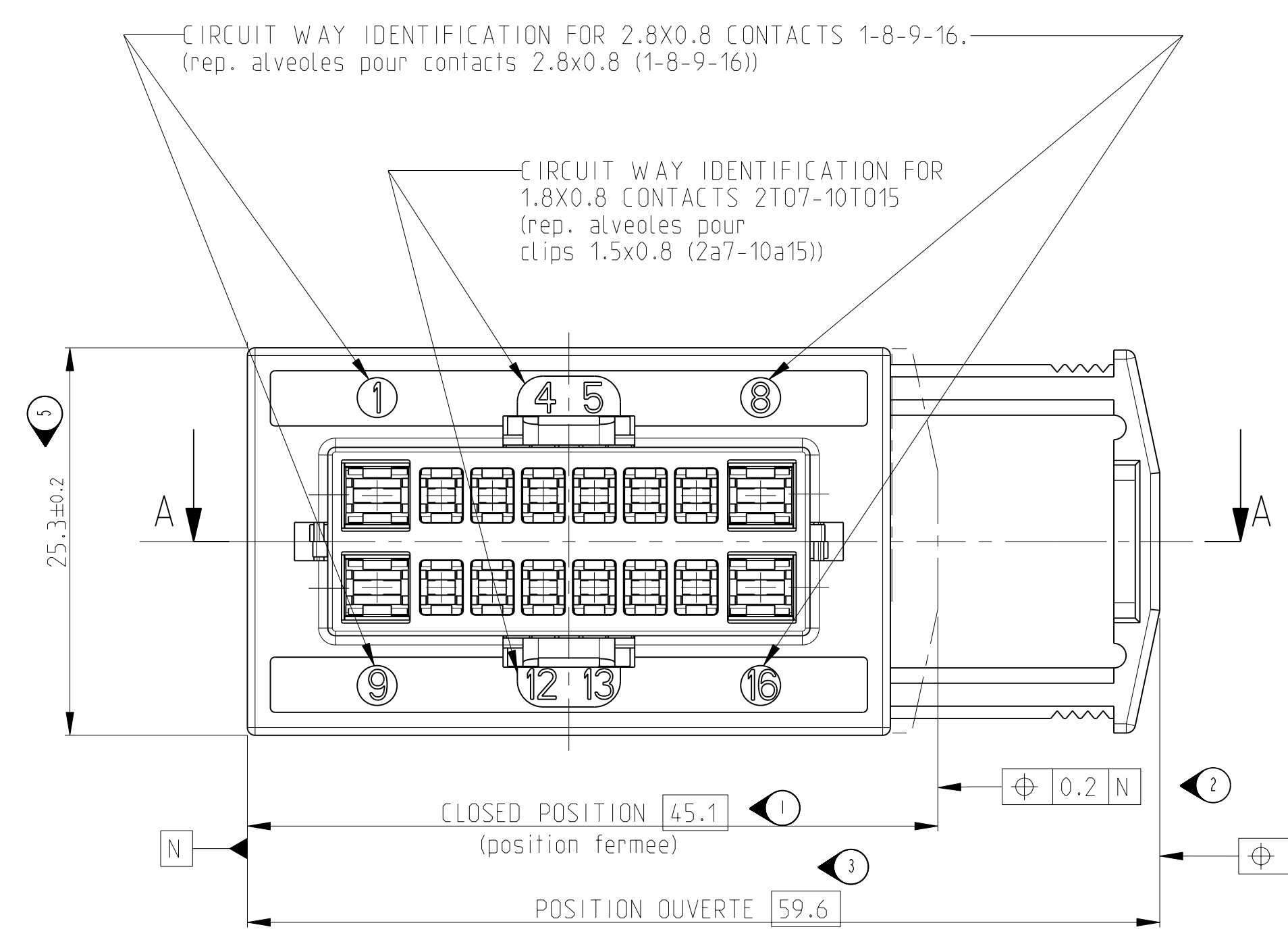
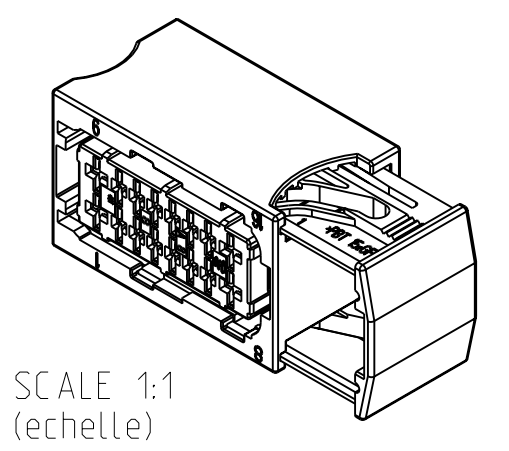
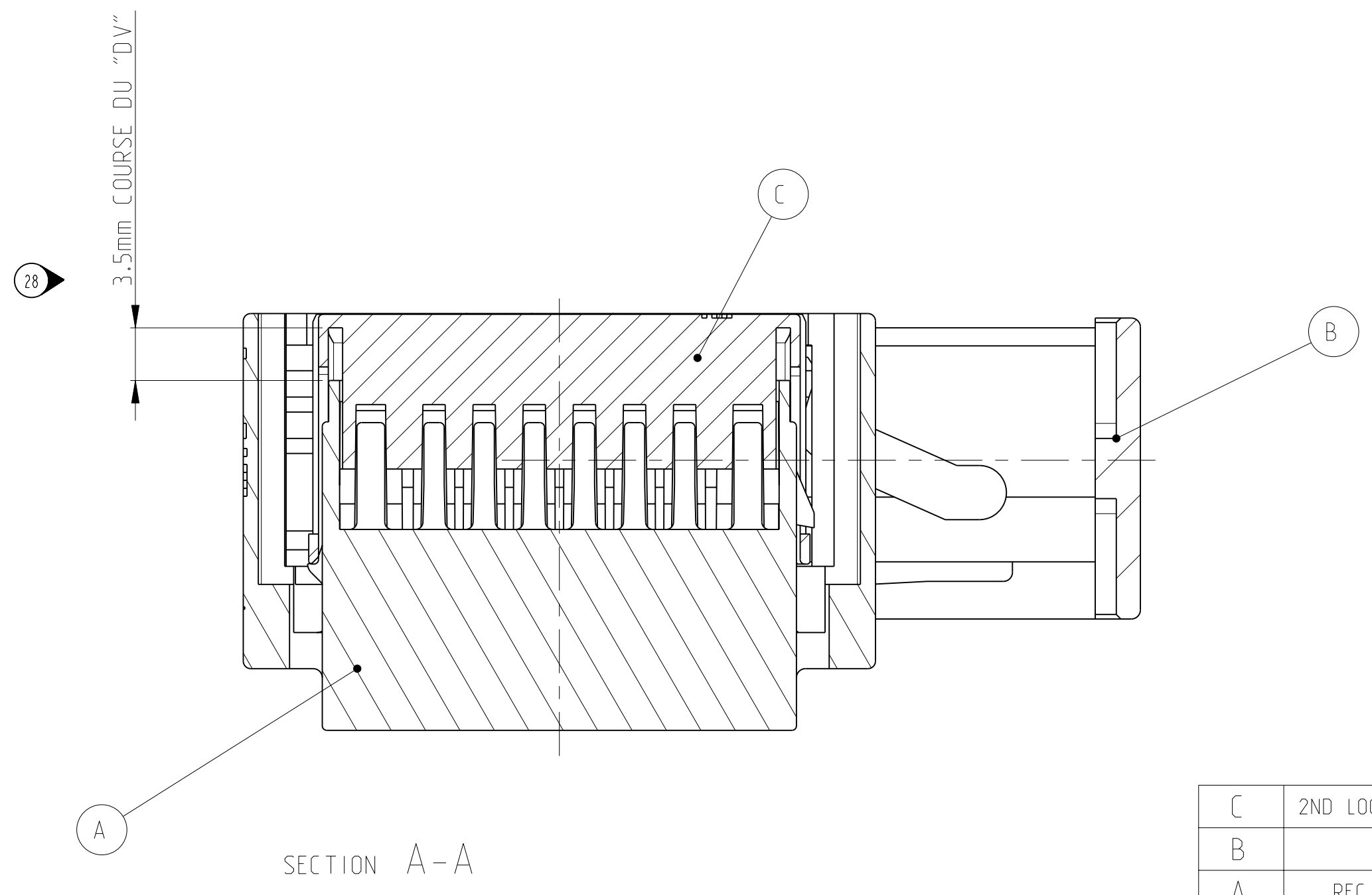
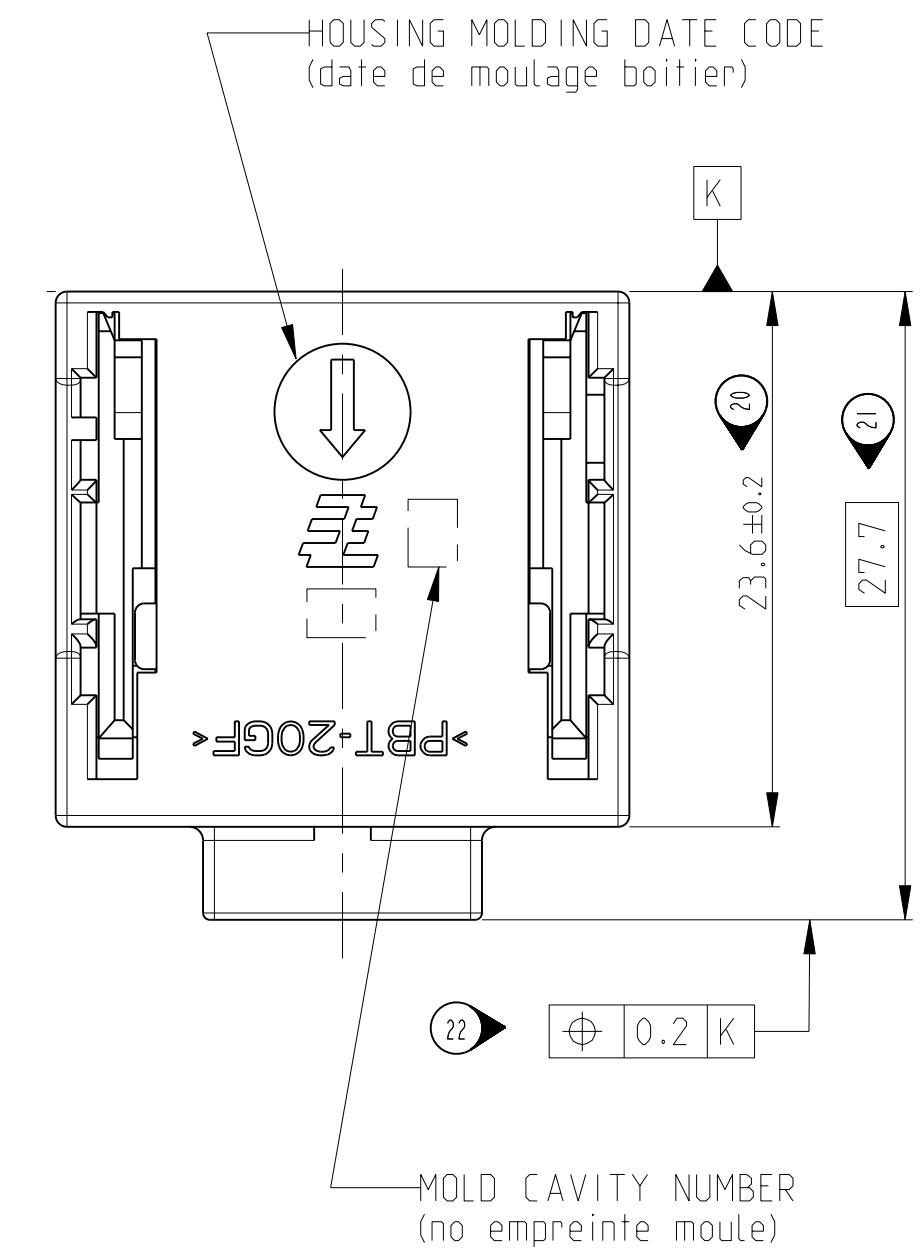
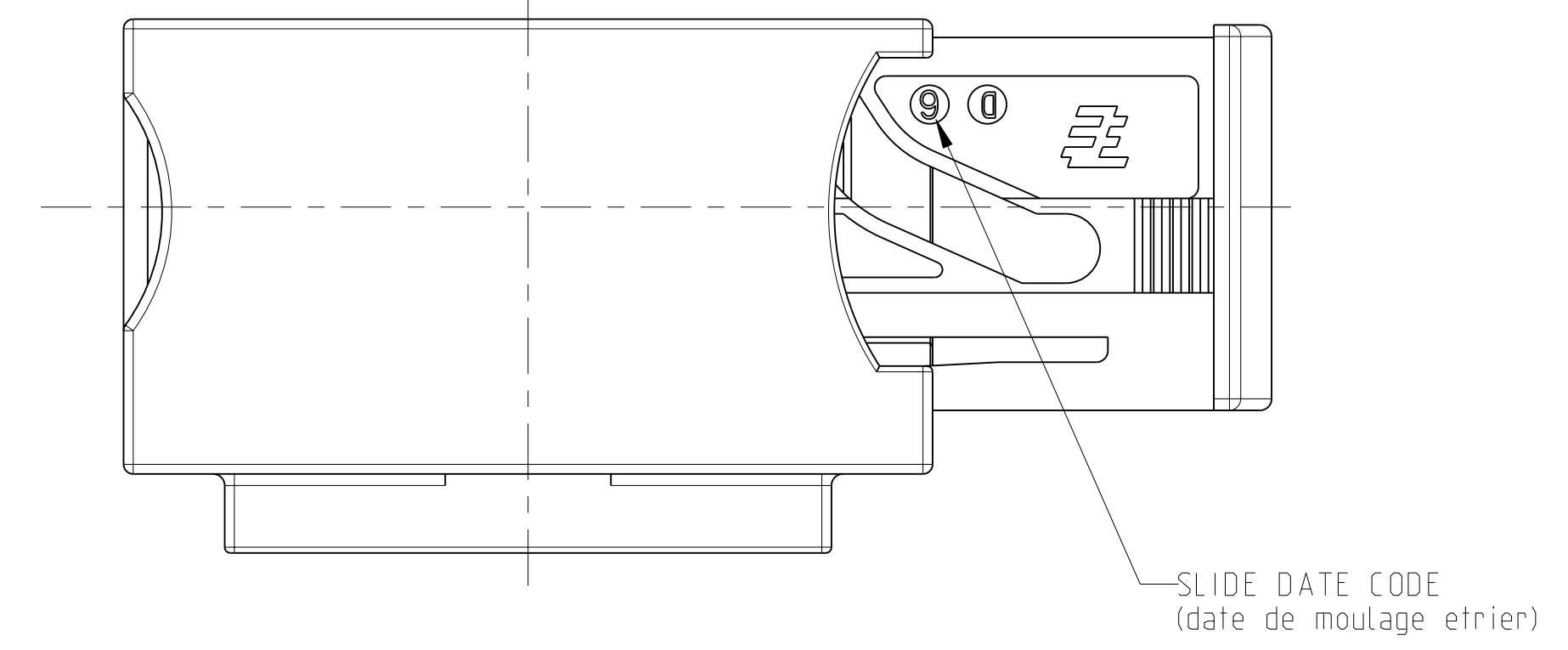


LOC	DIST	REVISIONS			
F	00	REV	DESCRIPTION	DATE	APP'D
		A	MISE A JOUR PLAN	04FEV2009	NS XR



185760-6	GREY (GRIS)	30	2.1±0.1	31	2.0±0.2	32	2.1±0.1	33	2.0±0.2
185760-5	BROWN (MARRON)	34	2.1±0.1	35	2.0±0.2	36	2.1±0.1	37	2.0±0.2
185760-4	WHITE (BLANC)	38	2.1±0.1	39	2.0±0.2	40	2.1±0.1	41	2.0±0.2
185760-3	BLUE (BLEU)	42	2.1±0.1	43	2.0±0.2	44	2.1±0.1	45	2.0±0.2
185760-2	GREEN (VERT)	46	2.1±0.1	47	2.0±0.2	48	2.1±0.1	49	2.0±0.2
185760-1	BLACK (NOIR)	50	2.1±0.1	51	2.0±0.2	52	2.1±0.1	53	2.0±0.2



CONTACTS USABLE: 2.8 AND 1.5 TSC OR SICMA II
CONTACTS UTILISABLES: 2.8 ET 1.5 TSC OU SICMA II

REP	DESIGNATION	MATERIAL (matiere)	OBS.
C	2ND LOCKING (verrou secondaire)	PBT	RED (rouge)
B	SLIDE (etrier)	PBT 15% GF	RED (rouge)
A	REC. HOUSING (boitier PL)	PBT 20% GF	SEE TABLE (voir tableau)

NOTE:	
1	CAVITIES POSITION CONFORM WITH THE INTERFACE DRAWING N° TE: 208-15516
2	CONTACT CAVITIES CONFORM WITH THE "CONNECTRAL" SPECIFICATION N°211FT0123 ET 211FT0124
3	APPLICATION SPECIFICATION N°411-15561
4	SPEC. PACKAGING N°107-15320
5	WARPAGE PERMISSIBLE 0.2
6	INTERFACE DRAWING REF: 208-15516
7	MATING WITH REFS: 185761-1/-6 OR 953253-1/-6
8	EXTRACTION TOOL REF: 951768-1
9	WIRE DIAMETER: - CONTACTS 1.5 : 2.8 DIA - CONTACTS 2.8 : 3.9 DIA

CE PLAN EST PROPRIETE DE TYCO ELECTRONICS. IL REVELE DES INFORMATIONS CONFIDENTIELLES ET EST TRANSMIS A PSA DANS LE SEUL BUT DE DONNER A PSA LA POSSIBILITE DE VERIFIER QUE LES PIECES AINSI REPRESENTES SONT ACCOUPLES ET INTERCHANGEABLES AVEC DES PRODUITS D'AUTRES FOURNISSEURS.

IL NE DOIT ETRE NI COPIE NI FOURNI A D'AUTRES PERSONNES, MEME PARTIELLEMENT, SANS UN ACCORD ECRIT DE TYCO ELECTRONICS.

<p>TYCO ELECTRONICS CORPORATION</p> <p>THIS DRAWING IS UNPUBLISHED. RELEASE FOR REPRODUCTION IS LIMITED TO THE ORIGINAL DRAWING. ALL RIGHTS RESERVED.</p>	<p>DRAWN/DESIGNED: J.P. PICAUD 07 OCT 02</p> <p>CHECK/VERIFIE: J.J. REVIL 07 OCT 02</p> <p>APPROVED/APProuve: J. DAHER 07 OCT 02</p> <p>PRODUCT SPEC SPEC: 108-15165</p> <p>APPLICATION SPEC SPEC: 411-15561</p> <p>WEIGHT/MASSE APPROX.: 0.019</p> <p>CUSTOMER DRAWING /PLAN CLIENT</p>	<p>Tyco Electronics</p> <p>Tyco Electronics France SAS</p> <p>95300 Pontoise, France</p> <p>NAME/TITRE: 16 W HYBRID HOUSING ASSY CONTACT 2.8 AND 1.5 TSC OR SICMA II</p> <p>SIZE/FORMAT: A</p> <p>CAGE CODE: 00779</p> <p>DRAWING NO: 185760</p> <p>RESTRICTED TO RESERVE A</p>
---	--	---