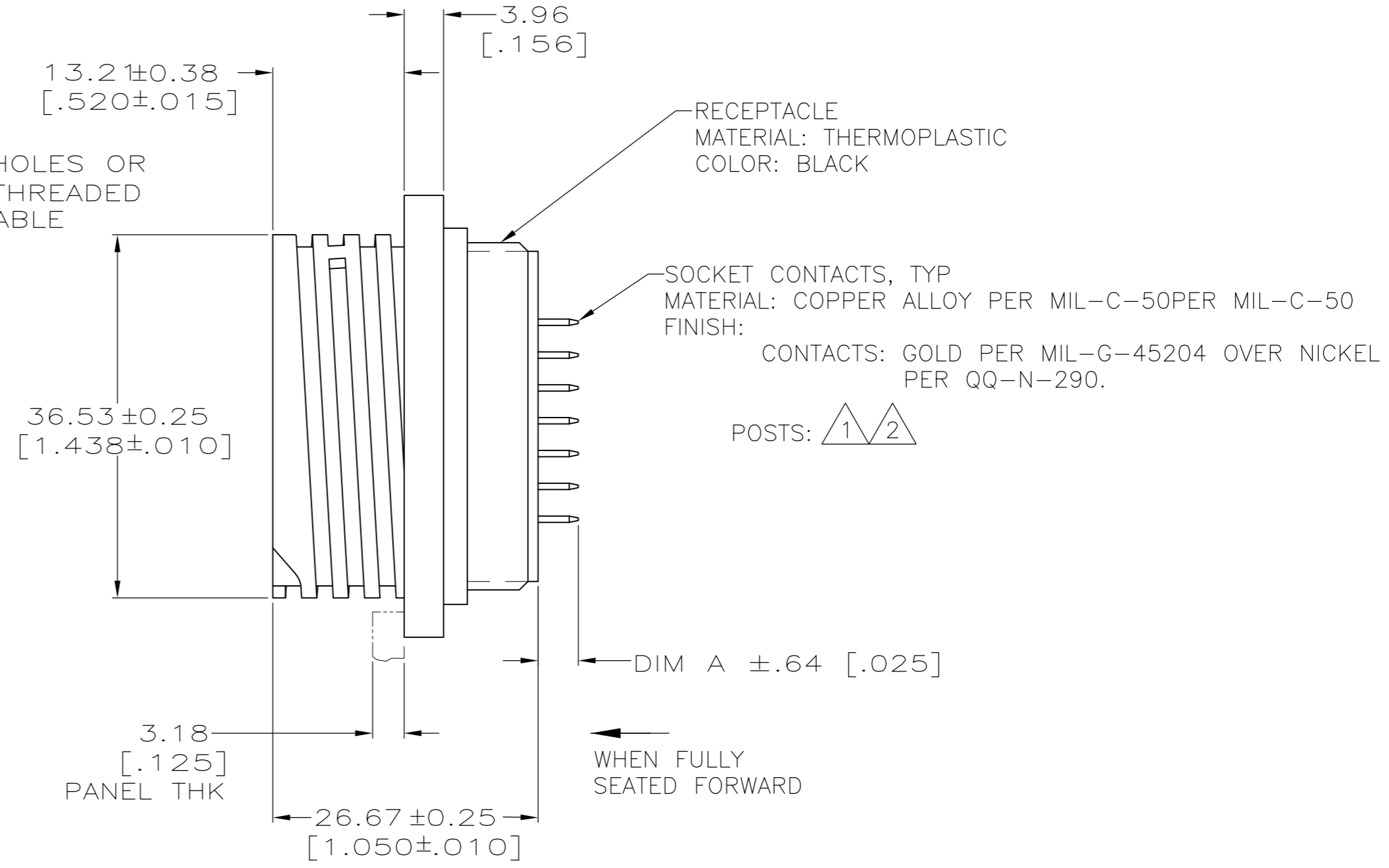
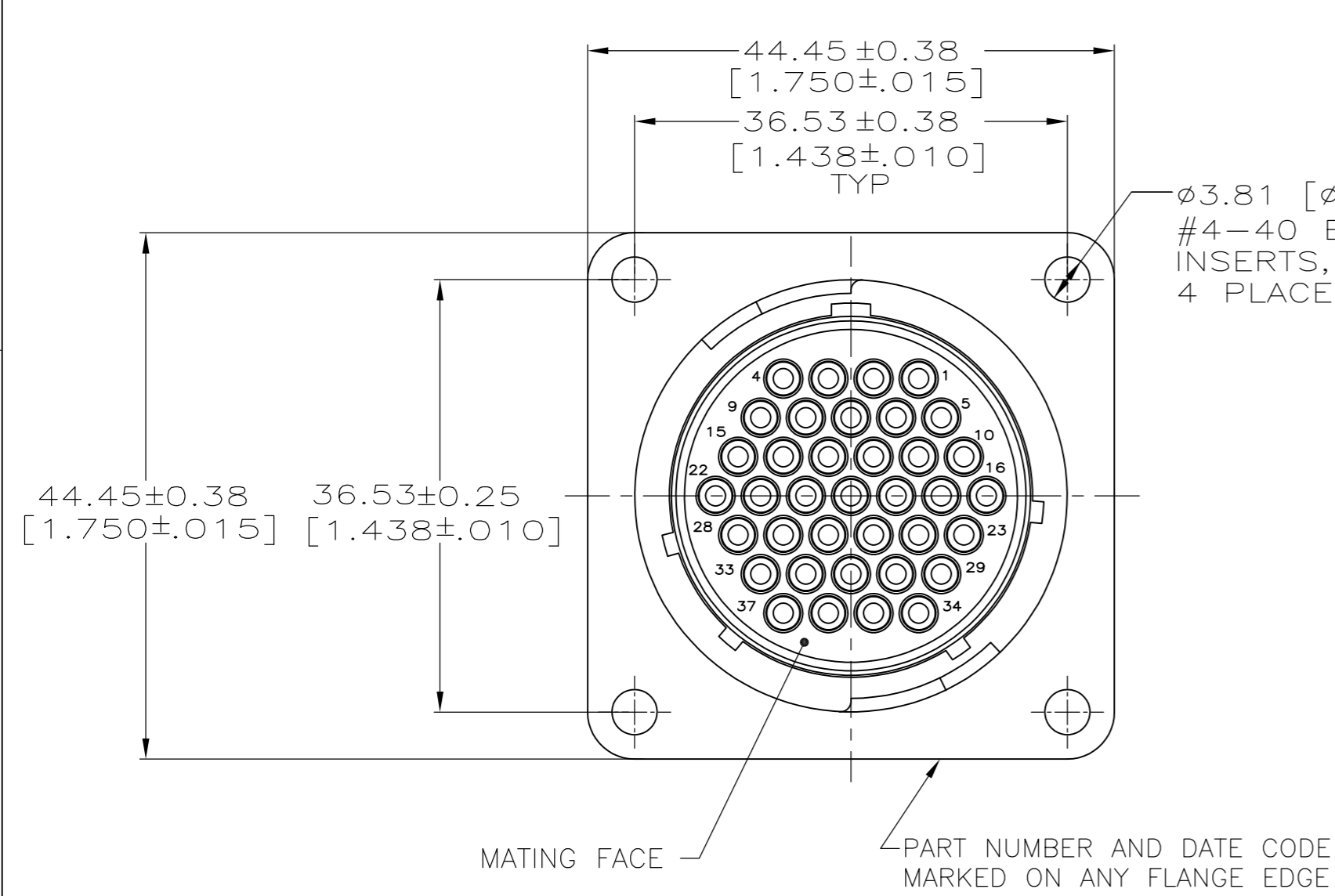
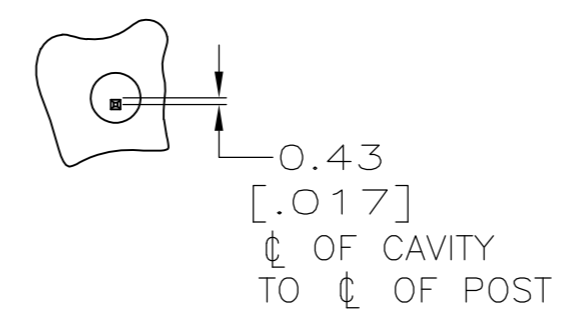


THIS DRAWING IS UNPUBLISHED. RELEASED FOR PUBLICATION
 © COPYRIGHT - By - ALL RIGHTS RESERVED.

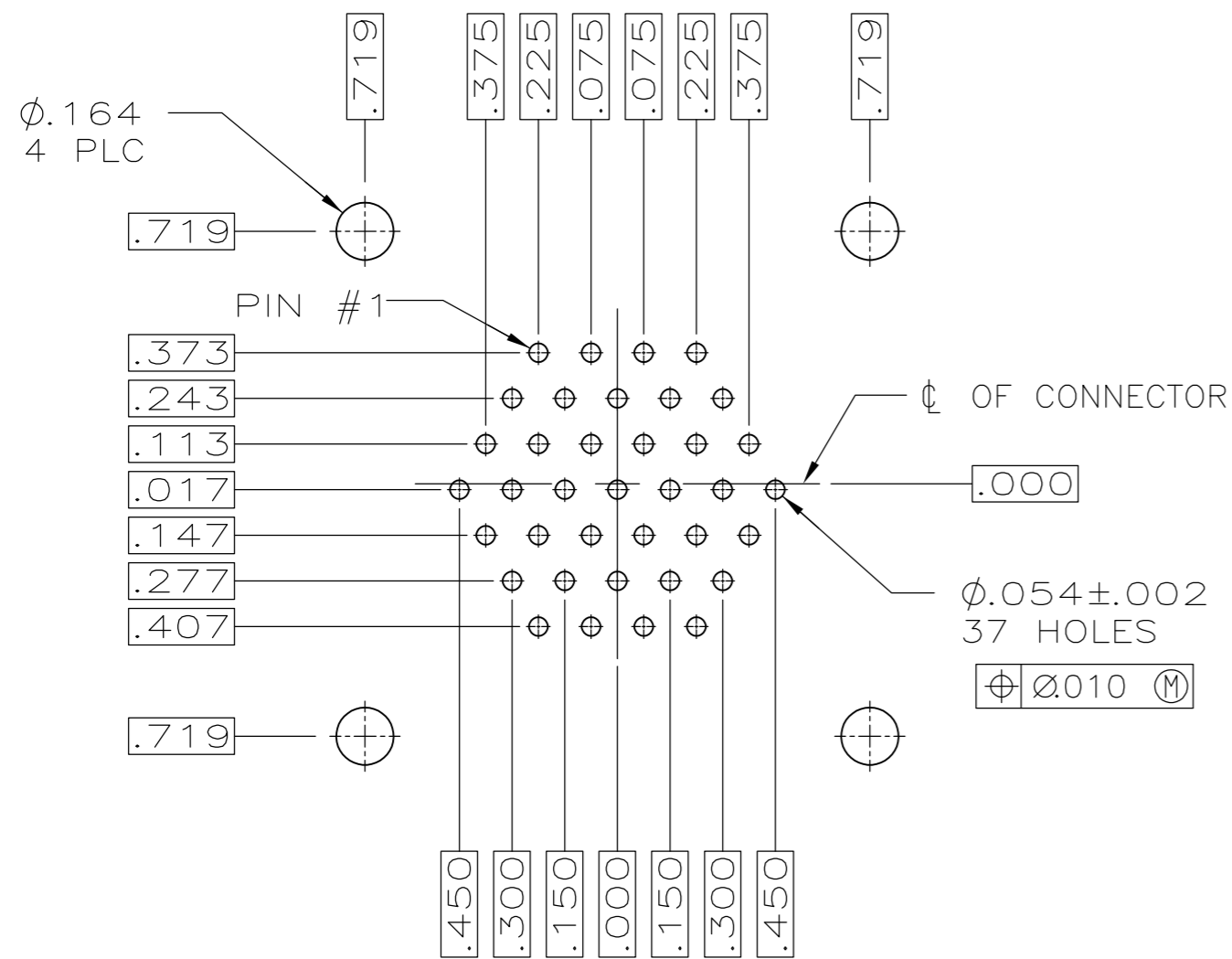
REVISIONS					
P	LTR	DESCRIPTION	DATE	DWN	APVD
F1		REVISED PER ECO-13-017833	12FEB2014	NK	MZ
G		REVISED PER ECO-17-004657	05APR2017	RS	MZ



- $\triangle 1$.000100 MIN. MATTE TIN-LEAD OVER .000050 MIN NICKEL.
- $\triangle 2$.000100 MIN. MATTE TIN OVER .000050 MIN NICKEL.



POST ARRANGEMENT ON REAR FACE



RECOMMENDED P.C. BOARD LAYOUT

OBSOLETE	6.53 [.257]	YES	NO	$\triangle 2$	207890-5
	4.04 [.159]	NO	YES	$\triangle 2$	207890-3
	4.04 [.159]	NO	NO	$\triangle 2$	207890-2
	4.04 [.159]	NO	NO	$\triangle 1$	207890-1
DIM A	4-40 THREADED INSERTS	PERIPHERAL SEAL	FINISH	PART NUMBER	

THIS DRAWING IS A CONTROLLED DOCUMENT.		DWN C.J.REIFSNYDER 05/15/95			
DIMENSIONS: mm [INCHES]		CHK R.STONE 05/24/95			
TOLERANCES UNLESS OTHERWISE SPECIFIED:		APVD AL FRANTUM 05/25/95	NAME		
0 PLC ± -		PRODUCT SPEC	RECEPTACLE ASSEMBLY, POSTED, REVERSE SEX, SERIES 1, 23-37, CPC		
1 PLC ± -		APPLICATION SPEC	SIZE A2	CAGE CODE 00779	DRAWING NO C-207890
2 PLC ± 0.13[.005]		WEIGHT -	RESTRICTED TO		
3 PLC ± -		CUSTOMER DRAWING	SCALE 2:1	SHEET 1 of 1	REV G
4 PLC ± -					
ANGLES ± -					
FINISH SEE CALLOUT					