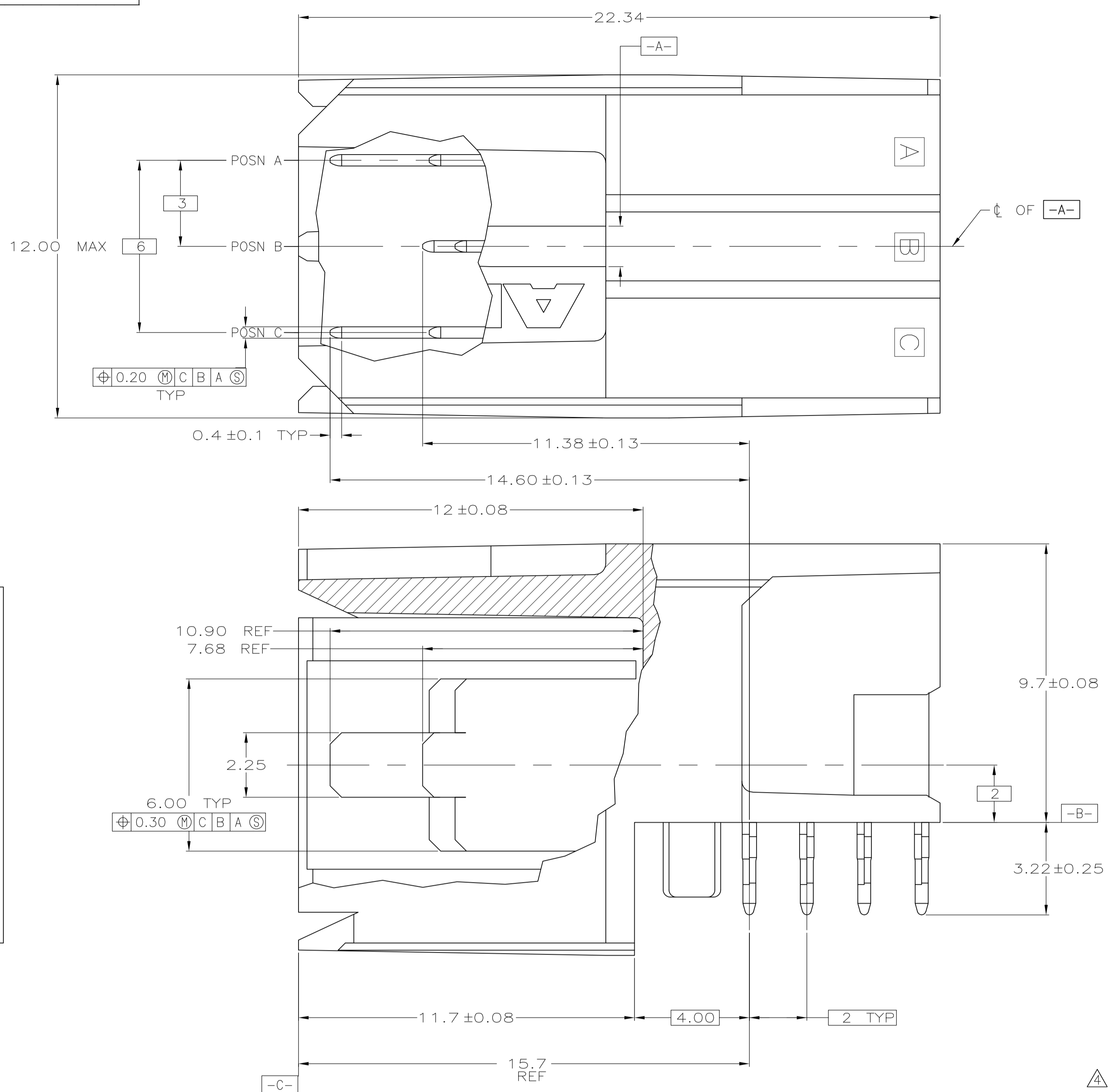
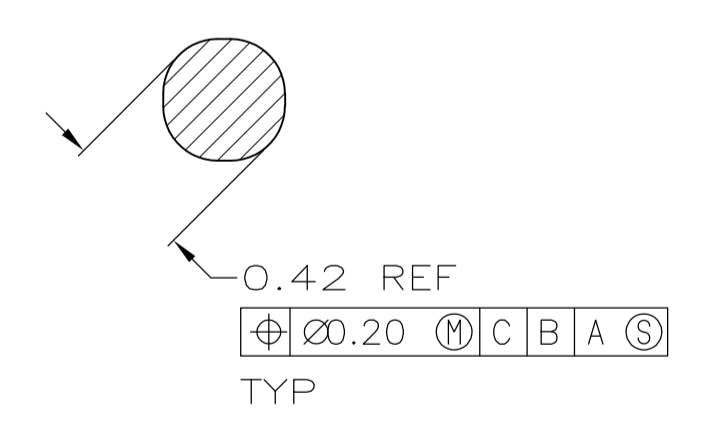
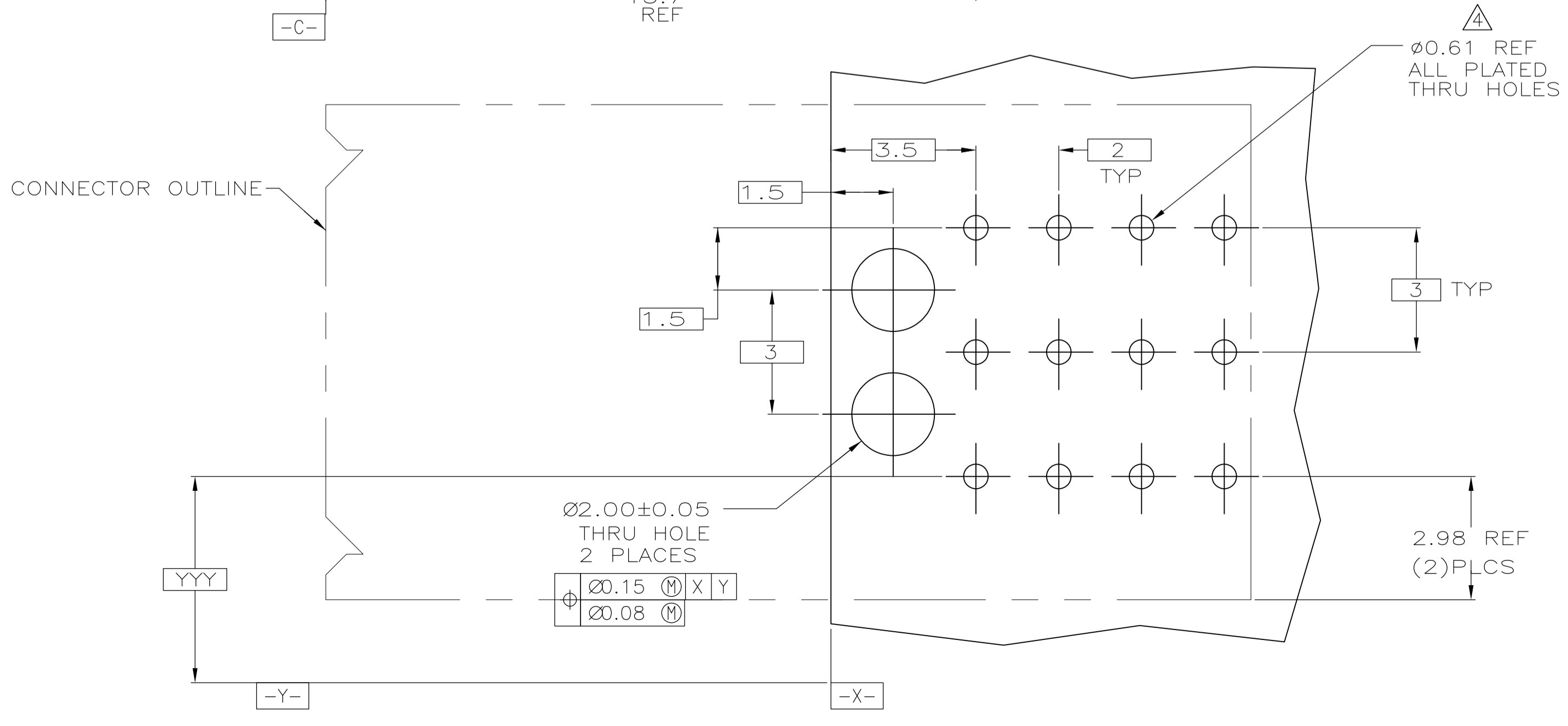
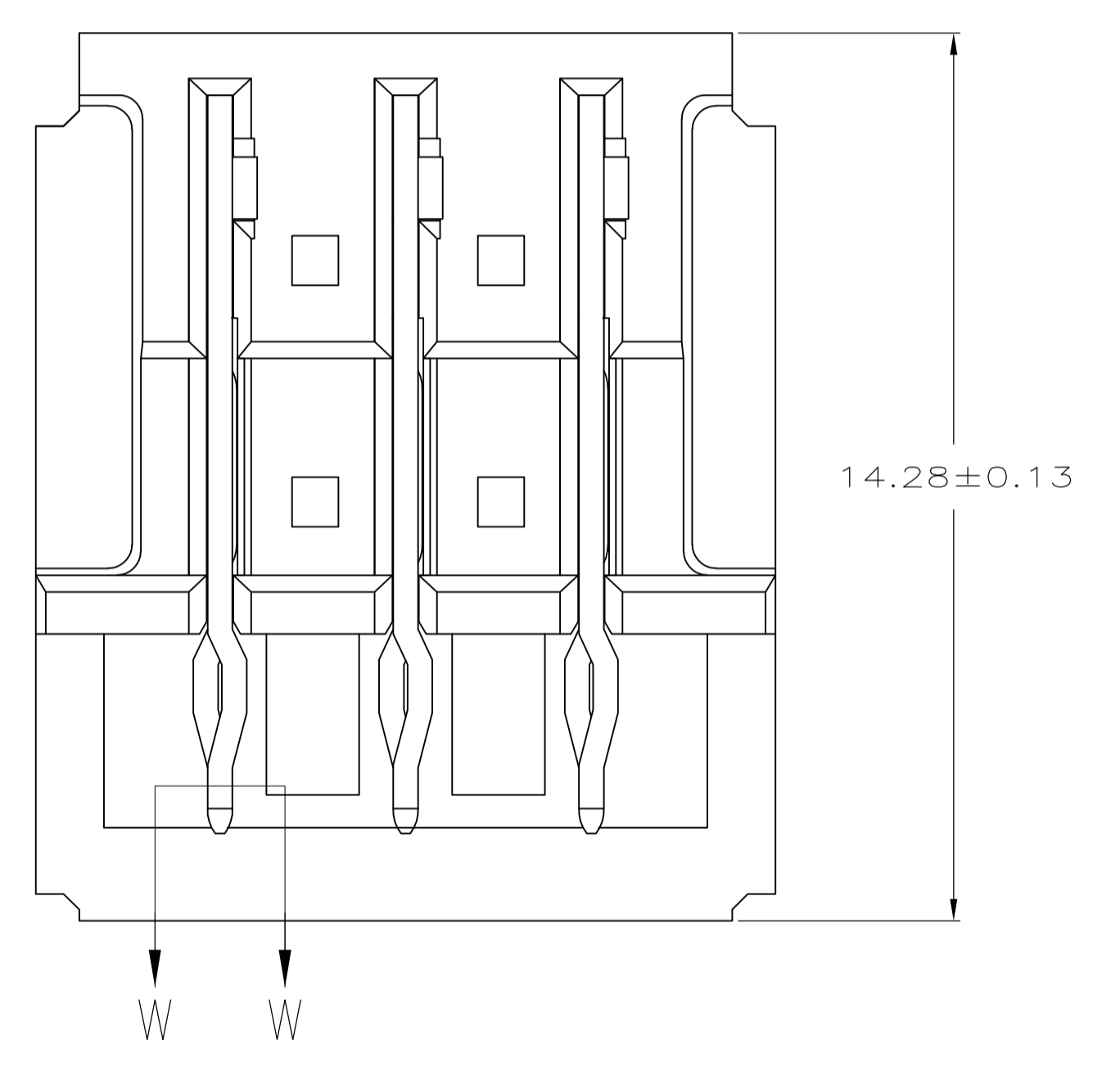
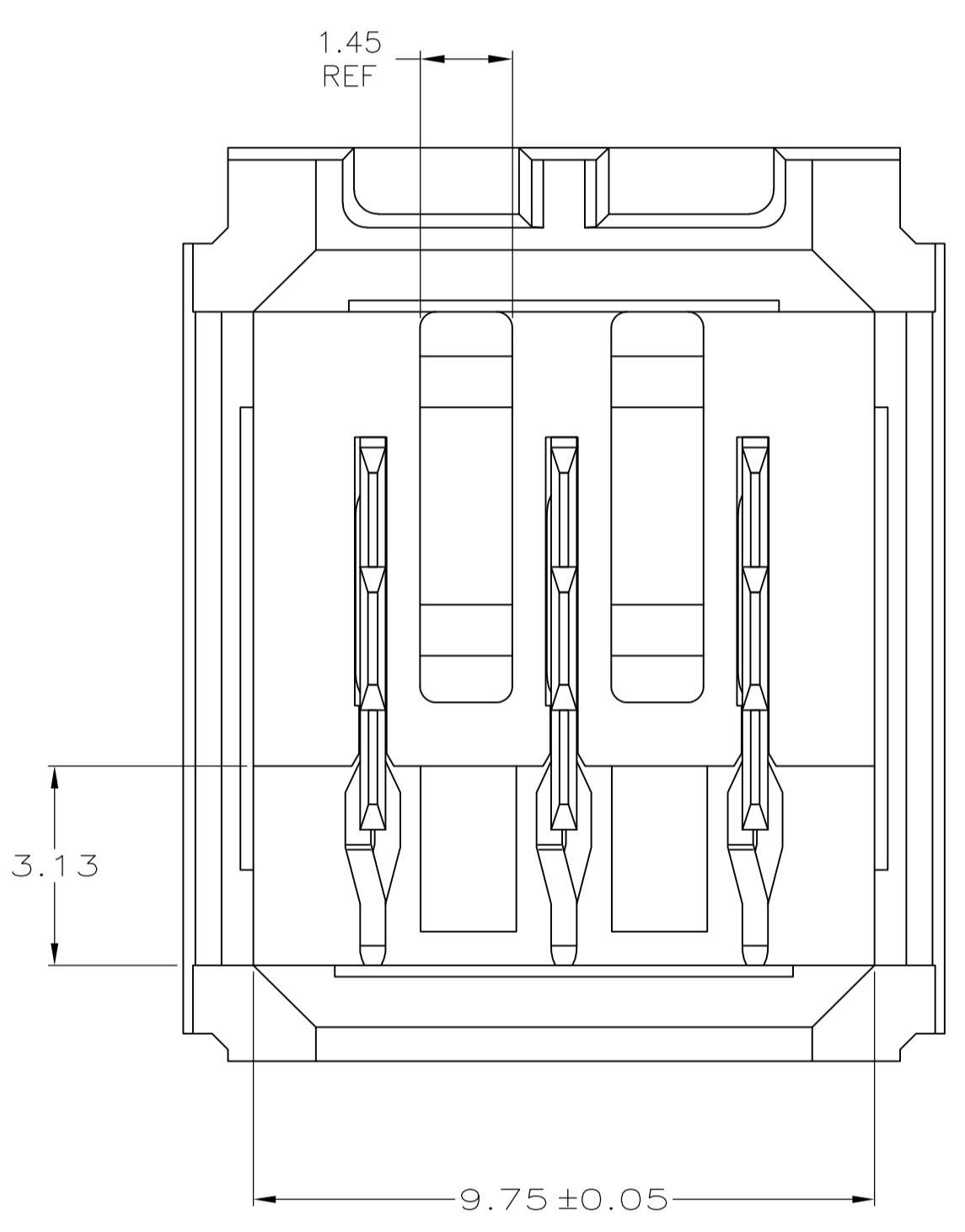


LOC		DIST		REVISIONS				
AD	00	REV	DATE	DESCRIPTION	DATE	BY	APPV	
C		1	05JAN11	REVISED PER ECO-11-000045		DH	DY	



- ⚠ MATERIAL: HOUSING: POLYESTER. COLOR: GRAY. UL 94V-0.
CONTACT: PHOSPHOR BRONZE.
- ⚠ FINISH: CONTACT MATING AREA: 1.27μm MIN GOLD OR 0.08μm MIN GOLD OVER 0.76μm MIN PALLADIUM-NICKEL.
ACTION PIN AREA: 0.5μm MIN TIN PLATE,
ALL OVER 1.27μm MIN NICKEL UNDERPLATE.
- ⚠ FINISH: CONTACT LUBRICATION WITH BELLCORE APPROVED LUBRICANT. TECHNICAL REFERENCE: TR-NWT-001217 ISSUE 1, SEPT 1992.
- ⚠ REFERENCE APPLICATION SPEC 114-1103 FOR RECOMMENDED PLATED THRU HOLE DIAMETER AND PLATING THICKNESS.
- 5 CURRENT RATING 10A/CONTACT PER PRODUCT SPEC 108-1651.



SECTION W-W
 SCALE 40:1

5223972-1
 PART NUMBER

THIS DRAWING IS A CONTROLLED DOCUMENT.		DIN B CARBO 130EC04	Tyco Electronics Corporation Harrisburg, PA 17105-3608
DIMENSIONS: μ		130EC04	
TOLERANCES UNLESS OTHERWISE SPECIFIED:		NAME R PATTERSON 130EC04	ASSEMBLY, RIGHT ANGLE HEADER W/ RETENTION PEGS UNIVERSAL POWER MODULE
0. PLC ± -		PRODUCT SPEC	
1. PLC ± -		APPLICATION SPEC	SIZE A1
2. PLC ± 0.13		WEIGHT	CAGE CODE DRAWING NO 00779 C=5223972
3. PLC ± -		CUSTOMER DRAWING	SCALE 10:1 SHEET 1 OF 1 REV C
4. PLC ANGLES ± -			