

NOTES:

1. MATERIAL:
 - A. BODY; PHOSPHOR BRONZE PER QQ-B-750.
 - B. SCREW; STAINLESS STEEL PER QQ-S-763, 300 SERIES.
 - C. CLAMP INSERT; FLUOROSILICONE ELASTOMER PER MIL-R-25988.

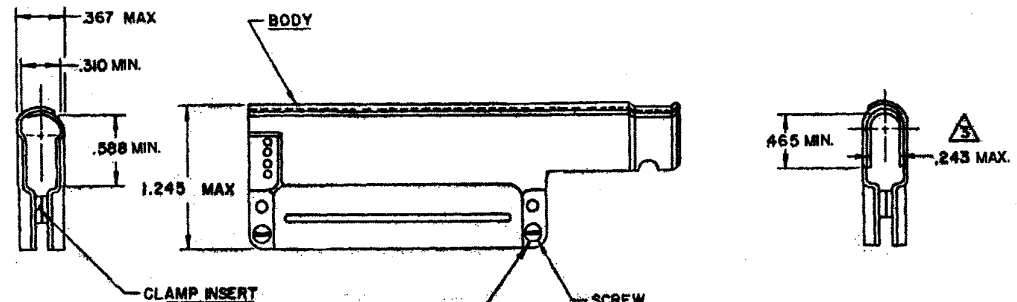
2. FINISH:
 - A. BODY; TIN PLATED PER MIL-T-10727 OVER NICKEL PER MIL-C-26074.
 - B. SCREW; CADMIUM PLATED PER QQ-P-416 OVER NICKEL UNDERPLATE

3. WHEN SCREWS ARE TIGHTENED TO ACHIEVE 0.1 INCH SPACING BETWEEN SHELL HALVES (EAR THICKNESS) THIS DIMENSION SHALL BE 0.225 MIN.

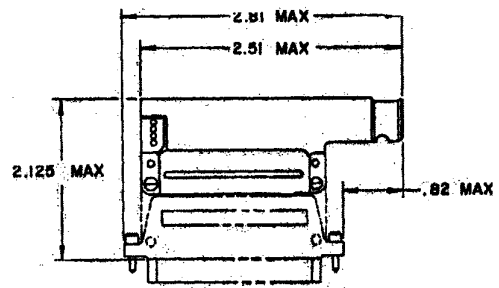
4. Raychem PART NUMBER CHA-0016-003 IS MARKED ON BACKSHELL PACKAGE.

5. THIS BACKSHELL IS FOR USE WITH Raychem MTC COAX CONNECTORS, 1" COAX PLUG OR 1" COAX RECEPTACLE AS SHOWN. FURTHERMORE IT IS FOR USE ON CADMIUM PLATED CONNECTORS WHERE 500 HOURS SALT SPRAY RESISTANCE IS REQUIRED.

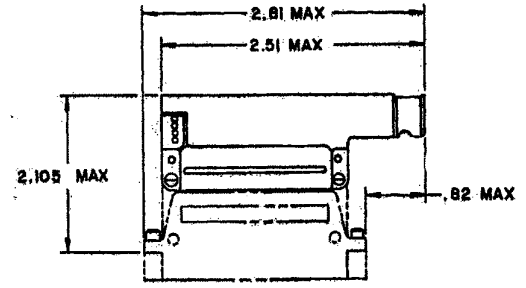
REVISIONS				DATE	APPROVED
CONF	LTR	DESCRIPTION			
	B	REVISED PER ECN# T-020650		11/16/92	
	C	REVISE PER DCR# T-28876		9/27/2001	MJHGGY



(OPTIONAL)
#1 CROSS RECESS
FOR USE WITH #1 DRIVER.



1 INCH COAX PLUG ASSY
INSTALLATION DATA
REF



1 INCH COAX RECEPTACLE ASSY
INSTALLATION DATA
REF

SPECIFICATION CONTROL DRAWING

UNLESS OTHERWISE SPECIFIED DIMENSIONS ARE IN INCHES BRACKETED DIMENSIONS () ARE METRIC AND TOLERANCES ARE: XXX: () () XX: () () X: () ()	DRAWN	LUTTICKEN		TYCO/ELECTRONICS/RAYCHEM WIRE AND HARNESSING PRODUCTS 307 CONSTITUTION DRIVE MENLO PARK, CALIFORNIA 94025	
	CHECKED	ST			
	APPROVED	[Signature]	2-19-76		
	APPROVED	[Signature]	2-20-76		
	CAD FILE	T28876.TE	SIZE	CODE IDENT	DWG. NO
	RPL	024323-000	C	NO. 08080	CHA-0016-003
				WEIGHT	SHEET 1 OF 1

If this document is printed it becomes uncontrolled.
Check with the web for latest revision.

DO NOT SCALE THIS DRAWING