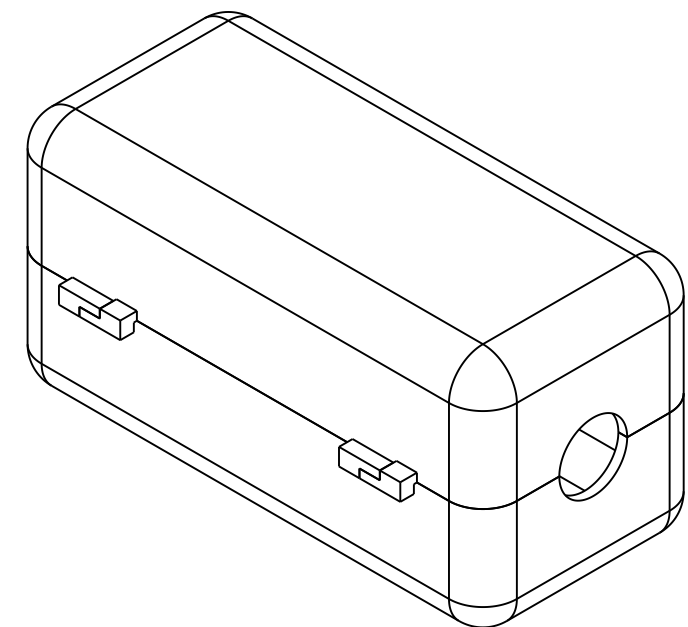
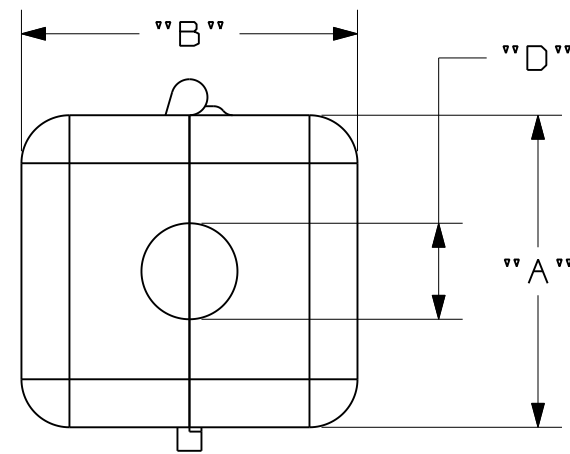
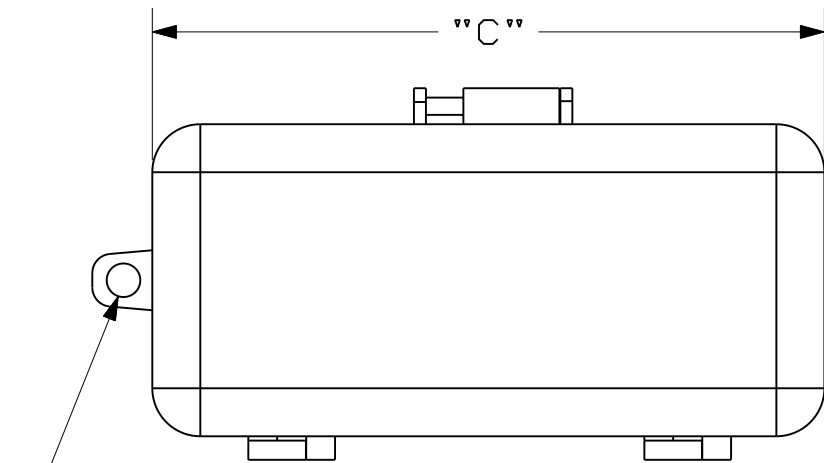


THIS COPY IS PROVIDED ON A RESTRICTED BASIS AND IS NOT TO BE USED IN ANY WAY DETRIMENTAL TO THE INTERESTS OF PANDUIT CORP.

PART NUMBER	DESCRIPTION	INSIDE DIM. IN. (mm)	"A"	"B"	"C"	DIA. DIM. IN (mm) "D"	STANDARD PKG.
PSL-CL110	LOCKOUT FOR 120 VOLT AC CORD	1.73 X 1.73 X 3.23 [ 44.0 X 44.0 X 82.0 ]	2.00 [ 50.8 ]	2.00 [ 50.8 ]	3.5 [ 88.9 ]	0.50 [ 12.7 ]	1



HOLES ACCOMMODATE LOCK WITH .35" [ 8.8mm ] DIA. OR SMALLER SHACKLES.

NOTES:  
1. MILLIMETERS SHOWN IN [ ].



REV	DATE	BY	CHK	DESCRIPTION	ECN	R	CUST	SUP
3	1/31/08	RVU		REMOVE P/N, PSL-CL480. REPLACE PSL CL CORD LOCKOUT TO PSL-CL110 ON TITLE AREA. Ø.35" [ 8.8mm ] WAS Ø.38" [ 10mm ]. REMOVED NOTE 2.	5274	R		
2	1-24-06	RVU	DWY	ADDED PANTONE COLOR #.	4335	R		
1	9-8-05	RVU	DWY	PART NO. IN TITLE BLCOK WAS PSL-CL.	4167	R		
R	9-10-03	RVU	DWY	DRAWING RELEASE	3399	R		

CAD FILENAME/LAYERS 100619XJ\_C10095\_PSL-CL\_03.prt

**PANDUIT** CORP TINLEY PARK, ILLINOIS

PSL-CL110

UNLESS OTHERWISE SPECIFIED, DIMENSIONAL TOLERANCES ARE:  
 (.X) ± .050 (.XXX) ± .015  
 (.XX) ± .032 ANGLES ±

UNLESS OTHERWISE SPECIFIED, ALL DIMENSIONS ARE GIVEN IN INCHES, THIRD ANGLE PROJECTION

SCALE NTS

DRAWN BY RVU MAT'L: POLYPROPYLENE, RED PANTONE PMS 186

DATE 9-10-03

CHK'D

DRAWING NO. C10095 DWG SIZE B