

THIS DRAWING IS UNPUBLISHED. RELEASED FOR PUBLICATION
 © COPYRIGHT BY TYCO ELECTRONICS CORPORATION. ALL INTERNATIONAL RIGHTS RESERVED.

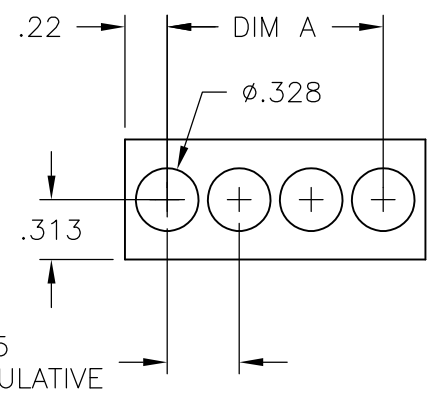
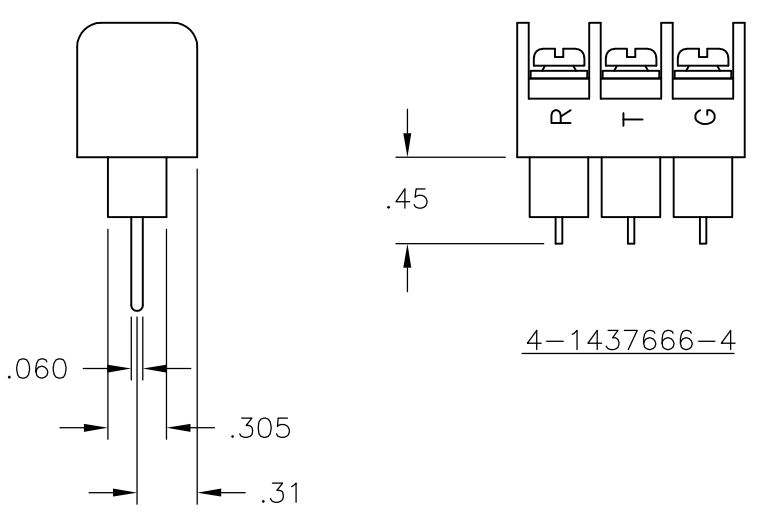
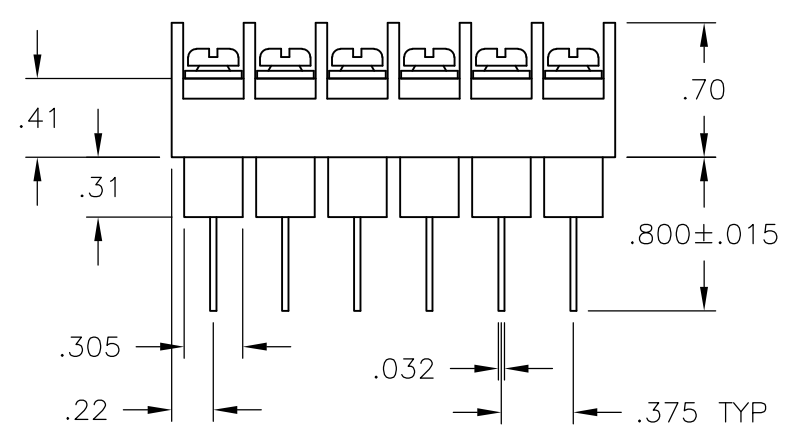
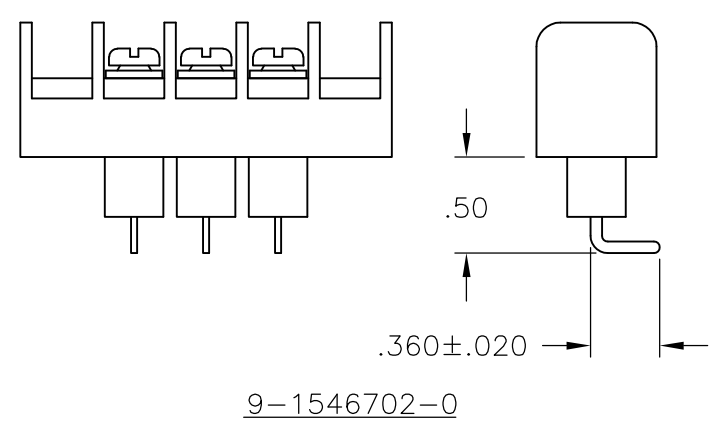
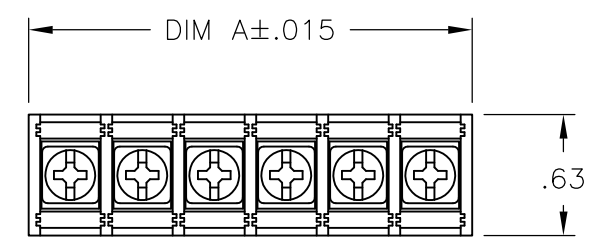
| | | | | | | | |
|-----|------|-----------|-----|---------------------------|---------|-----|------|
| LOC | DIST | REVISIONS | | | | | |
| FT | 0 | P | LTR | DESCRIPTION | DATE | DWN | APVD |
| | | | E | REVISED PER ECO-10-013617 | 26JUL10 | HMR | CR |

MATERIAL:
 HOUSING: THERMOPLASTIC, UL94V-0, BLACK.
 TERMINALS: BRIGHT TIN OVER COPPER ALLOY.
 SCREWS: #6-32 STEEL, ZINC PLATING W/ CLEAR CHROMATE, EXCEPT WHERE NOTED.

ELECTRICAL:
 CURRENT RATING UL/CSA:
 CLASS C: 20A,300V.
 CLASS D: 5A,600V.
 WIRE RANGE: 12-22 AWG

MECHANICAL:
 RECOMMENDED TORQUE: 7 IN-LB.
 OPERATING TEMP.: 105°C MAX.

- 1 SPECIAL PACKAGING.
- 2 SCREWS: 6-32 BRASS, NICKEL PLATED.



| | | | |
|-------|----|-----------------|-------------|
| 9.436 | 25 | JC6-W408-25 | 2-1546702-1 |
| 9.061 | 24 | JC6-W408-24 | 2-1546702-0 |
| 8.686 | 23 | JC6-W408-23 | 1-1546702-9 |
| 8.311 | 22 | JC6-W408-22 | 1-1546702-8 |
| 7.936 | 21 | JC6-W408-21 | 1-1546702-7 |
| 7.561 | 20 | JC6-W408-20 | 1-1546702-6 |
| 7.186 | 19 | JC6-W408-19 | 1-1546702-5 |
| 6.811 | 18 | JC6-W408-18 | 1-1546702-4 |
| 6.436 | 17 | JC6-W408-17 | 1-1546702-3 |
| 6.061 | 16 | JC6-W408-16 | 1-1546702-2 |
| 5.686 | 15 | JC6-W408-15 | 1-1546702-1 |
| 5.311 | 14 | JC6-W408-14 | 1-1546702-0 |
| 4.936 | 13 | JC6-W408-13 | 1546702-9 |
| 4.561 | 12 | JC6-W408-12 | 4-1437666-6 |
| 4.186 | 11 | JC6-W408-11 | 1546702-8 |
| 3.811 | 10 | JC6-W408-10 | 1546702-7 |
| 3.436 | 9 | JC6-W408-09 | 1546702-6 |
| 3.061 | 8 | JC6-W408-08 | 1546702-5 |
| 2.686 | 7 | JC6-W408-07 | 1546702-4 |
| 2.311 | 6 | JC6-W408-06 | 1546702-3 |
| 1.936 | 5 | JC6-W406-05 | 3-796985-7 |
| 1.936 | 5 | JC6-W408-05 | 1546702-2 |
| 1.561 | 4 | JC6-W406-04 | 3-796985-6 |
| 1.561 | 4 | JC6-W408-04 | 4-1437666-5 |
| 1.936 | 3 | JC6-W408-03-237 | 9-1546702-0 |
| 1.186 | 3 | JC6-W408-03-147 | 4-1437666-4 |
| 1.186 | 3 | JC6-W408-03 | 4-1437666-3 |
| .811 | 2 | JC6-W408-02 | 1546702-1 |

PRELIMINARY

| | | | | | | | |
|--|--|------------------|------------|----------------------|---|---------------|---------------|
| THIS DRAWING IS A CONTROLLED DOCUMENT. | | DWN | S SCHLEGEL | 5/27/03 | Tyco Electronics Corporation Harrisburg, PA 17105-3608 | | |
| DIMENSIONS: INCHES | | CHK | S. YODER | 5/27/03 | | | |
| TOLERANCES UNLESS OTHERWISE SPECIFIED: | | APVD | S. YODER | 5/27/03 | | | |
| 0 PLC ± - 1 PLC ± - 2 PLC ± .01 3 PLC ± .005 4 PLC ± - ANGLES ± - | | PRODUCT SPEC | | NAME | | | |
| MATERIAL | | APPLICATION SPEC | | JC6-W408-XX ASSEMBLY | | | |
| FINISH | | WEIGHT | SIZE | | CAGE CODE | DRAWING NO | RESTRICTED TO |
| - | | - | A3 | | 00779 | G-4-1437666-3 | - |
| CUSTOMER DRAWING | | | | SCALE | NTS | SHEET | 1 OF 1 |
| | | | | REV | E | | |