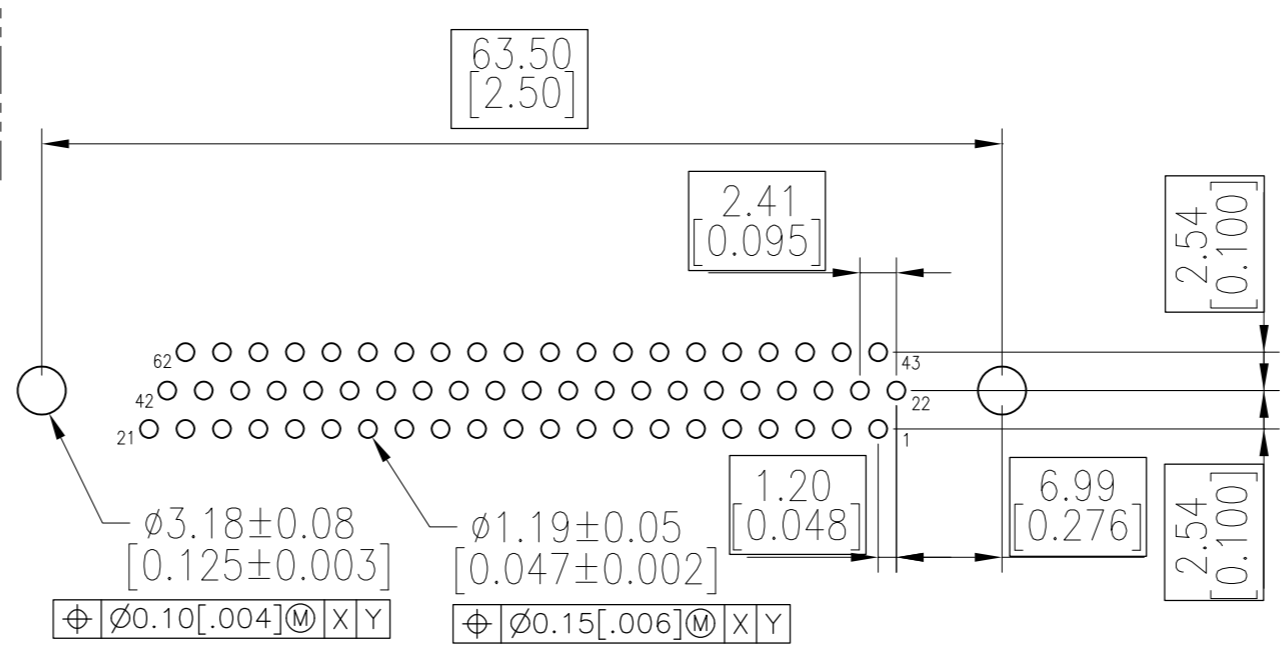
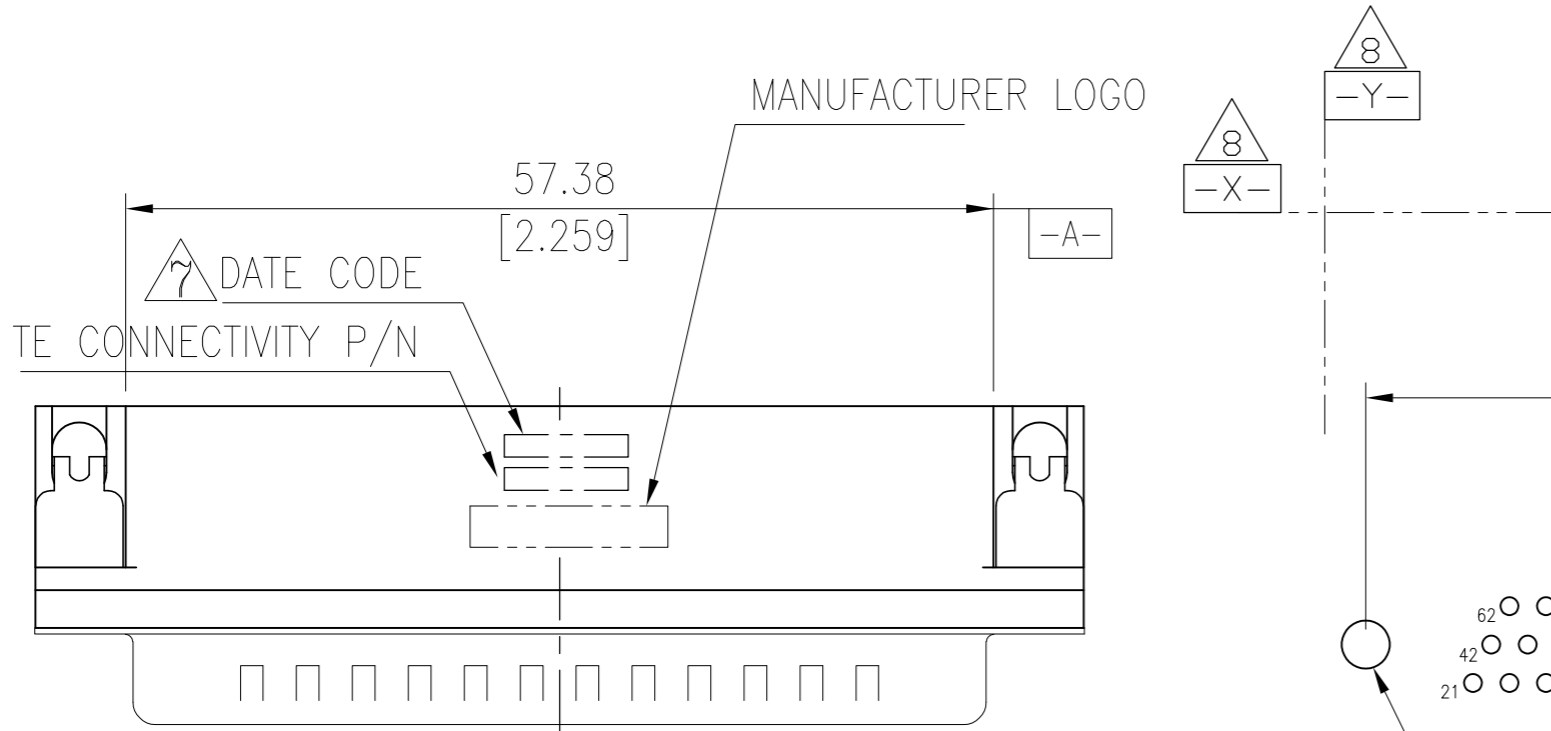


THIS DRAWING IS UNPUBLISHED. RELEASED FOR PUBLICATION
 © COPYRIGHT - By - ALL RIGHTS RESERVED.

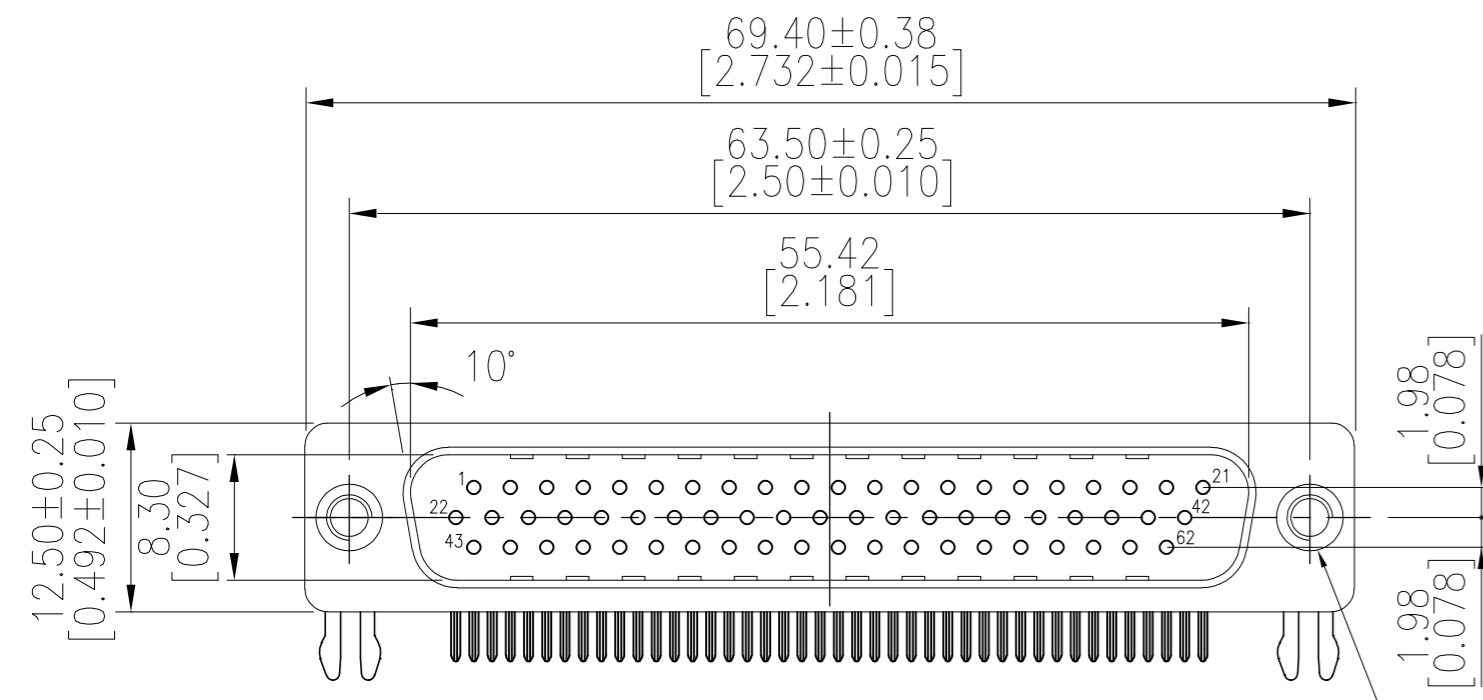
LOC	DIST	REVISIONS					
GP	00	P	LTR	DESCRIPTION	DATE	DWN	APVD
		A1		REVISED PER ECO-11-005033	23MAR11	RK	HMR



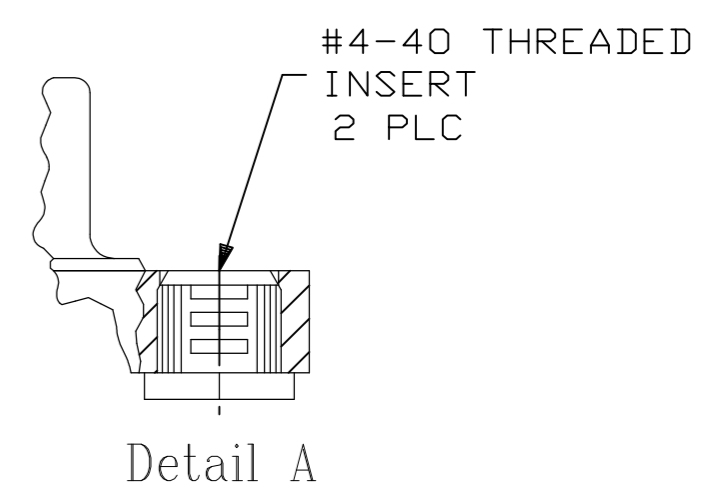
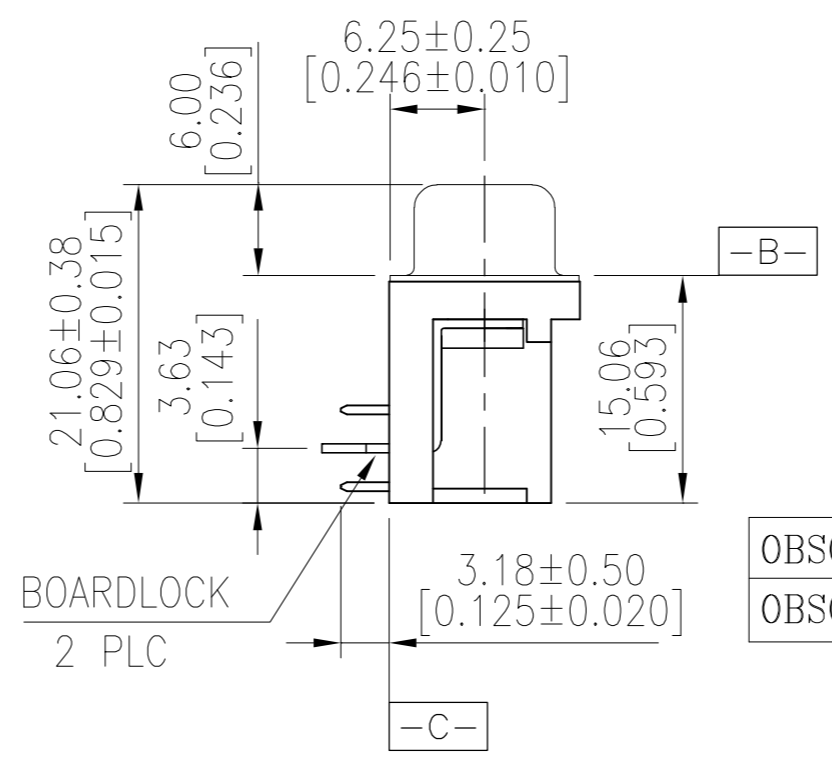
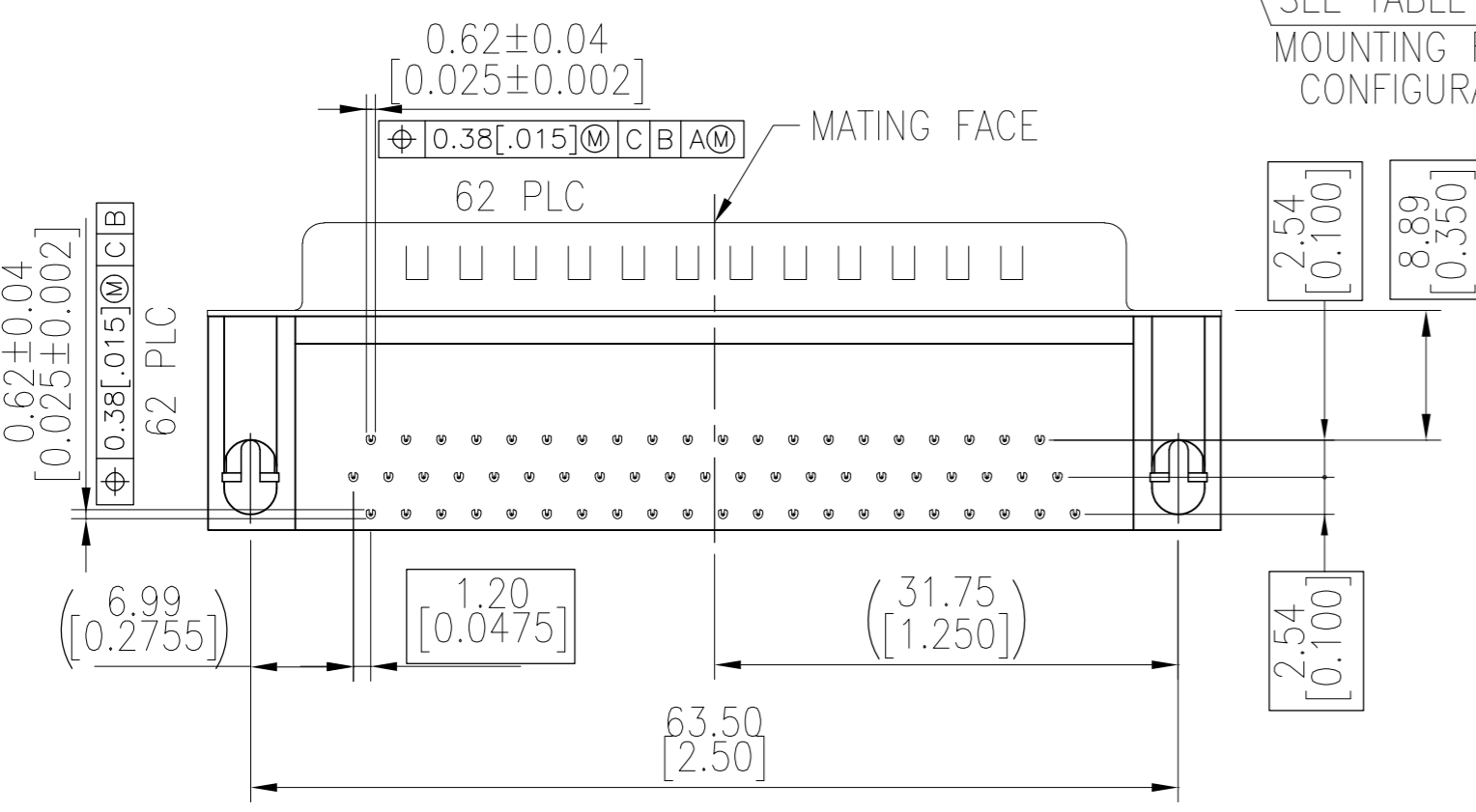
- HOUSING MATERIAL: PBT, GLASS FILLED, BLACK, UL 94V-0 RATED.
- CONTACT MATERIAL: PHOSPHOR BRONZE.
- CONTACT FINISH: GOLD PLATE IN MATING AREA (SEE TABLE), 120µ" MIN TIN PLATE ON SOLDER TAIL, BOTH OVER 50µ" MIN NICKEL UNDERPLATE.
- SHELL: STEEL, NICKEL PLATE.
- BOARDLOCK: BRASS, 100µ" MIN TIN PLATE.
- THREADED INSERTS: BRASS, NICKEL PLATE.

△ FOUR DIGIT DATE CODE IN THIS FORMAT.
 Year 01 45 Manufacturing Week

△ DATUMS -X- & -Y- TO BE ESTABLISHED BY CUSTOMER.



SEE TABLE FOR MOUNTING FLANGE CONFIGURATION



OBSOLETE	Tray	Detail A	Gold flash	5749639-3
OBSOLETE	Tray	Detail A	15µ" MIN	5749639-2
OBSOLETE	Tray	Detail A	30µ" MIN	5749639-1
	Packaging	Mounting Flange Configuration	CONTACT MATING AREA FINISH	PART NUMBER

THIS DRAWING IS A CONTROLLED DOCUMENT.		DWN	B. MCMASTER	21SEP05	 TE Connectivity NAME AMPLIMITE HD-22 62 POS PLUG, RIGHT ANGLE	SIZE	CAGE CODE	DRAWING NO	RESTRICTED TO				
DIMENSIONS: mm		CHK	S. BOLASH	21SEP05		APVD	M. WALSLEY	21SEP05	A2	00779	C=5749639	-	
TOLERANCES UNLESS OTHERWISE SPECIFIED:		PRODUCT SPEC				APPLICATION SPEC							
MATERIAL		FINISH				WEIGHT	-						
		0 PLC ± -				CUSTOMER DRAWING		SCALE	1:1	SHEET	1 OF 1	REV	A1
		1 PLC ± 0.30											
		2 PLC ± 0.20											
		3 PLC ± 0.10											
		4 PLC ± -											
		ANGLES ± 2°											