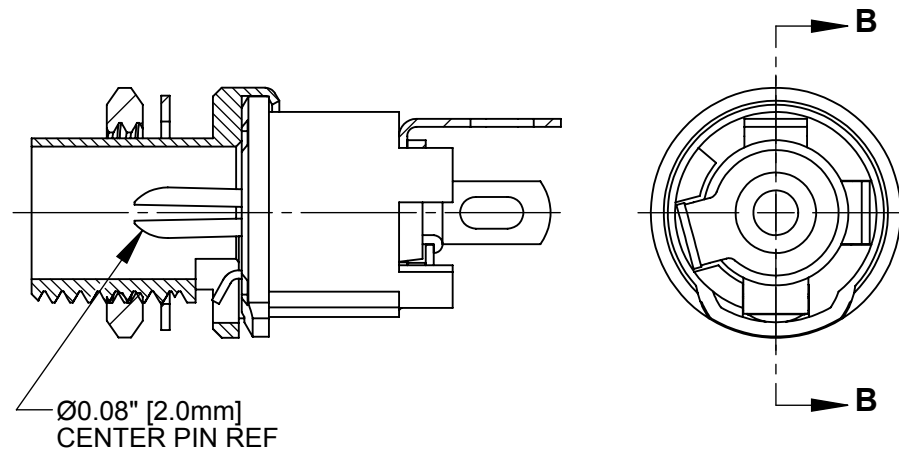
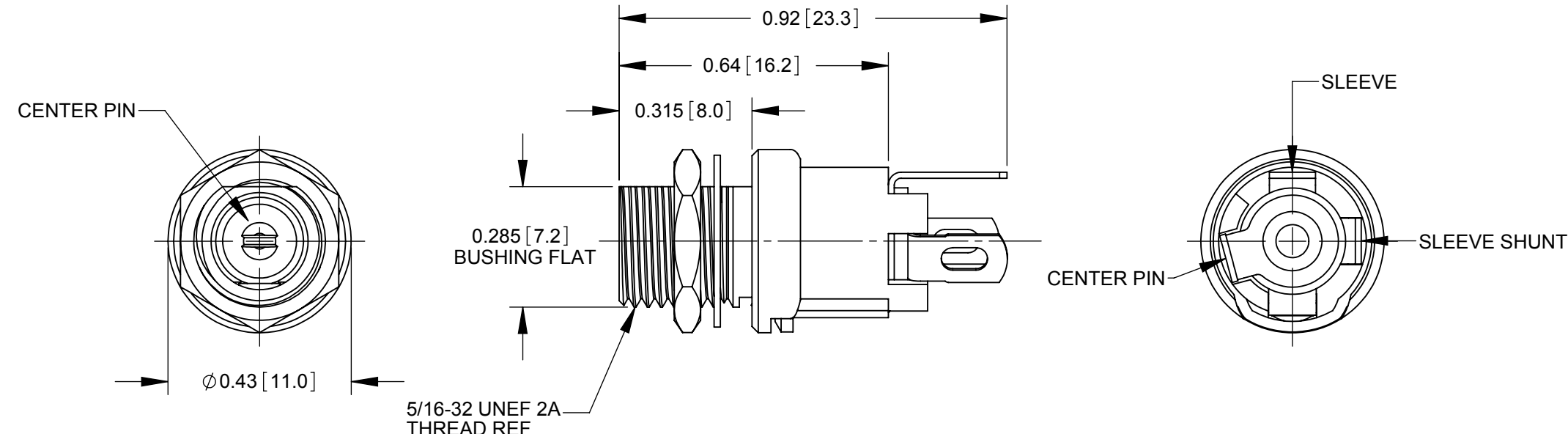
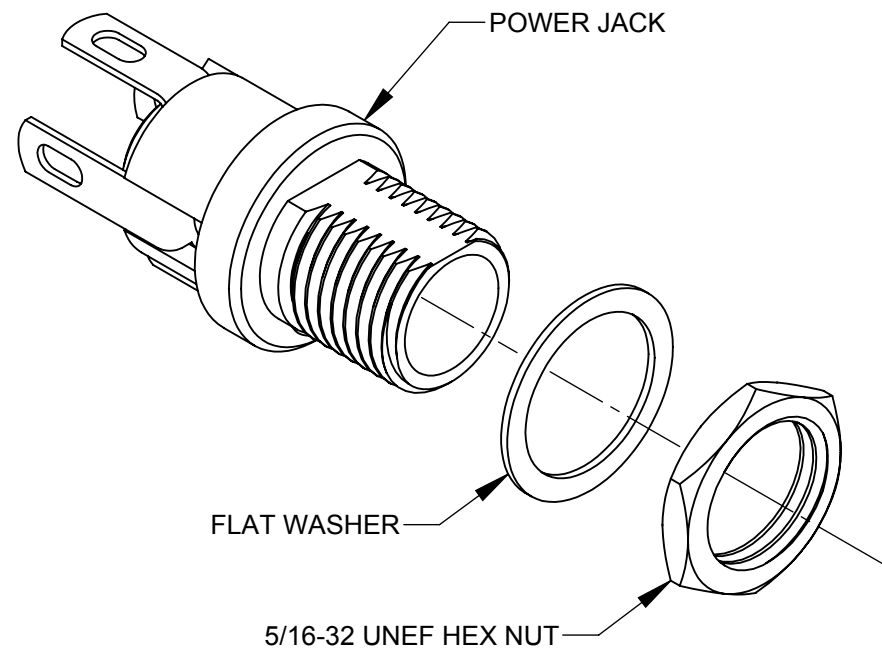
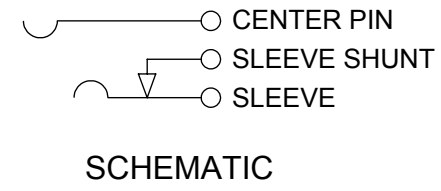


**L712AH**



**L722AH**



- NOTES:
1. DIMENSIONS SHOWN FOR REFERENCE ONLY.
  2. HEX NUT AND FLAT WASHER SUPPLIED UNASSEMBLED.
  3. MATERIAL:  
HOUSING, HEX NUT - COPPER ALLOY, NICKEL PLATED  
INSULATOR HOUSING - THERMOPLASTIC  
TERMINAL INSULATORS - PHENOLIC  
FLAT WASHER - STEEL, NICKEL PLATED  
PIN, SPRING, TERMINALS - COPPER ALLOY, SILVER PLATED
  4. THESE PRODUCTS ARE RoHS COMPLIANT

**PRELIMINARY**

**CUSTOMER DRAWING**

REV	ECO NUMBER	DATE	BY	APVD
0A	PDR 15004	6/27/16	PNK	SRC
REVISIONS				

UNLESS OTHERWISE SPECIFIED

1. ALL DIMENSIONS IN INCHES  
- TWO PLACE DECIMALS ±0.02  
- THREE PLACE DECIMALS ±0.005

**DO NOT SCALE DRAWING**

THIS DRAWING DESCRIBES A DESIGN CONSIDERED PROPRIETARY IN NATURE, DEVELOPED AND MANUFACTURED BY SWITCHCRAFT INC. AND IS RELEASED ON A CONFIDENTIAL BASIS FOR IDENTIFICATION PURPOSES ONLY.									
SIZE	WIDTH	MULT	LBS/M	TEMPER					
FINISH					MATERIAL				
SPEC No.					SPEC No.				
FIRST USED ON			SCALE		<b>Switchcraft</b> <sup>®</sup>				
			3:1						
DATE DRAWN	BY	CHKD	APVD						
6/27/16	PNK	PNK	SRC						
			6/27/16	6/27/16					
NAME				PART No.		REV			
HT POWER JACKS				L712AH L722AH, RoHS		L712AH L722AH		0A	