



DP1203F – C433 / 868 / 915

433, 868 and 915 MHz Drop-In RF Transceiver Modules

Combine Small Form Factor with High Performance

GENERAL DESCRIPTION

The DP1203Fs are complete Radio Transceiver Modules operating in the 433, 868 and 915 MHz license free ISM (Industrial Scientific and Medical) frequency bands. Based on the XE1203F transceiver, the DP1203F offers the unique advantage of high data rate communication up to 152.3 kbit/s. Combining high output power and exceptional receiver sensitivity, the radio modules is suitable for applications seeking to satisfy the European (ETSI EN300-220-1 and EN301 439-3) or the North American (FCC part 15.247 and 15.249) regulatory standards.

The DP1203F modules can be used in any environment where wireless remote connection is an advantage. The DP1203F modules are perfect for complex wireless networks involving high speed data rate applications.

APPLICATIONS

- Home automation and access control
- Wireless Network
- Process and building control

KEY PRODUCT FEATURES

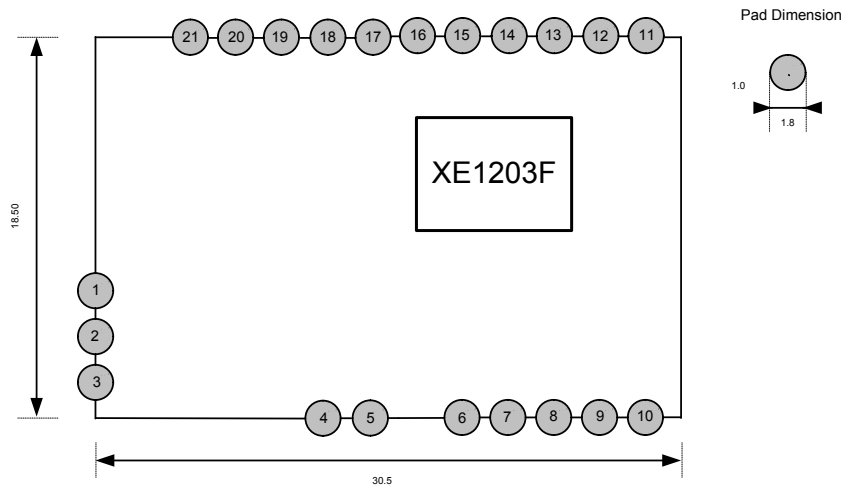
- No RF knowledge required
- Direct Digital interface
- Fully assembled and tested
- Surface mount
- 30.5 mm x 18.5 mm
- Available on tape&reel for Automatic assembly system
- Supply voltage 2.4 V – 3.6 V
- Frequency synthesizer steps 500 Hz
- Output power is programmable up to 15 dBm
- High Rx 0.1% sensitivity down to -111 dBm
- Data rate up to 152.3 kbit/s
- Current consumption Tx=62 mA at15 dBm
- Current consumption Rx=14 mA
- Digital RSSI (Received Signal Strength Indicator)
- Digital FEI (Frequency Error Indicator)

DEVICE OPTIONS

| Part Number | Frequency band | Package |
|--------------------|-----------------------|----------------|
| DP1203C4333LF | 433-435 MHz | Board |
| DP1203C8683LF | 868-870 MHz | Board |
| DP1203C9153LF | 902-928 MHz | Board |

Table of Contents

| | | |
|----------|--|-----------|
| 1 | Pin Description | 3 |
| 2 | Electrical Characteristics | 4 |
| 2.1 | Absolute maximum operating ranges..... | 4 |
| 2.2 | Specifications | 5 |
| 3 | Functional Description | 6 |
| 4 | Serial Control Interface | 7 |
| 5 | Operation Modes | 8 |
| 5.1 | Standard sequence for switching between receiver and transmitter | 9 |
| 6 | Typical Application | 10 |
| 7 | Mechanical Dimensions | 11 |
| 8 | Packaging Information | 12 |
| 9 | References | 12 |

1 PIN DESCRIPTION


| PIN | NAME | I/O | DESCRIPTION |
|-----|----------|--------|--|
| 1 | GND | IN | Ground |
| 2 | RFIN/OUT | IN/OUT | RF input / output terminal |
| 3 | GND | | Ground |
| 4 | VDDP | | Supply voltage / Advised NC |
| 5 | VDDA | | Supply voltage |
| 6 | GND | | Ground |
| 7 | VDD | | Supply voltage |
| 8 | EN | IN | 3-wire interface communication enable signal |
| 9 | SWITCH | IN/OUT | Operating mode selection |
| 10 | GND | | Ground |
| 11 | GND | | Ground |
| 12 | SO | OUT | Data output of the 3-wires interface |
| 13 | SI | IN | Data input of the 3-wires interface |
| 14 | SCK | IN | Input clock of the 3-wires interface |
| 15 | CLKOUT | OUT | Output clock at quartz frequency divided by 4, 8, 16 or 32 |
| 16 | DCLK | OUT | Transmitter or Receiver clock |
| 17 | DATA | IN/OUT | Transmitter input data or Receiver output data |
| 18 | DATAIN | IN | Transmitter input data |
| 19 | PATTERN | OUT | Output of the pattern recognition block |
| 20 | RX | IN | Antenna switch RX Select |
| 21 | TX | IN | Antenna switch TX select |

2 ELECTRICAL CHARACTERISTICS

2.1 ABSOLUTE MAXIMUM OPERATING RANGES

| Description | Min | Max | Unit |
|------------------------------------|-----|-----|------|
| Supply voltage | 2.4 | 3.6 | V |
| Operating temperature | -40 | +85 | °C |
| Storage temperature | -55 | 125 | °C |
| Soldering temperature (max 15 sec) | | 260 | °C |



CAUTION: ESD sensitive device.
Precaution should be taken when handling the device in order to prevent permanent damage



Life Support Policy and Use in Safety Critical Applications

SEMTECH PRODUCTS ARE NOT DESIGNED, INTENDED, AUTHORIZED OR WARRANTED TO BE SUITABLE FOR USE IN LIFE-SUPPORT APPLICATIONS, DEVICES OR SYSTEMS OR OTHER CRITICAL APPLICATIONS. INCLUSION OF SEMTECH PRODUCTS IN SUCH APPLICATIONS IS UNDERSTOOD TO BE UNDERTAKEN SOLELY AT THE CUSTOMER'S OWN RISK.

2.2 SPECIFICATIONS

The table below gives the specifications of the DP1203F under the following conditions:

Supply Voltage VDD = 3.3V, temperature = 25°C, 2-level FSK without pre-filtering, carrier frequency $f_c = 434$ MHz for DP1203C4333LF, $f_c = 869$ MHz for DP1203C8683LF and $f_c = 915$ MHz for DP1203C9153LF, frequency deviation $\Delta f = 55$ kHz, bit rate BR = 4.8kbps, Base band filter bandwidth BBW = 200 KHz, bit error rate BER = 0.1 % (measured at the output of the bit synchronizer), antenna output matched at 50 Ω .

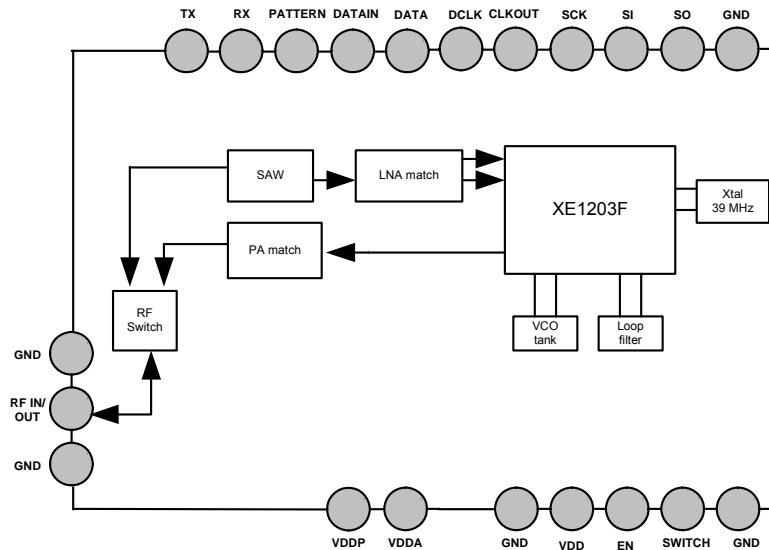
| Symbol | Parameter | Conditions | Min | Typ | Max | Units |
|----------|---------------------------------|------------------------------------|-----|------|-------|-------|
| FR | Synthesizer Frequency Range | DP1203C4333LF | 433 | - | 435 | MHz |
| | | DP1203C8683LF | 868 | - | 870 | MHz |
| | | DP1203C9153LF | 902 | - | 928 | MHz |
| IDDSL | Sleep mode supply current | | 0.2 | 1 | uA | |
| IDDST | Standby mode supply current | 39 MHz running | | 0.85 | 1.1 | mA |
| IDDR | RX mode supply current | | | 14 | 17 | mA |
| IDDT | TX mode supply current | $P_{RF} = 5$ dBm | | 33 | 40 | mA |
| | | $P_{RF} = 15$ dBm | | 62 | 75 | mA |
| RFS | RF Sensitivity | A-mode, BR = 4.8 kbps / BER = 0.1% | | -111 | -108 | dBm |
| FDA | Frequency Deviation | Programmable | 1 | - | 255 | kHz |
| BR | Bit rate | Programmable | 1.2 | - | 152.3 | Kb/s |
| P_{RF} | RF output power | Programmable. | | | | |
| | | RFOP1 | -3 | 0 | - | dBm |
| | | RFOP2 | +2 | +5 | - | dBm |
| | | RFOP3 | +7 | +10 | - | dBm |
| | | RFOP4 | +12 | +15 | - | dBm |
| TS_TR | Transmitter wake-up time | From oscillator enabled | - | 150 | 250 | us |
| TS_RE | Receiver base-band wake up time | From oscillator enabled | - | 0.5 | 0.8 | ms |
| TS_OS | Quartz oscillator wake up time | Fundamental | - | 1 | 2 | ms |
| XTAL | Quartz oscillator frequency | | | 39 | | MHz |
| VIH | Digital input level high | % VDD | 75 | - | - | % |
| VIL | Digital input level low | % VDD | - | - | 25 | % |

3 FUNCTIONAL DESCRIPTION

The True RF DP1203F is a cost effective high performance radio transceiver module designed for the wireless transmission of digital information over distances of >500 meters in free space.

The module is based on the RF transceiver circuit from SEMTECH, the XE1203F. For more information on the XE1203F, please refer to the XE1203F datasheet.

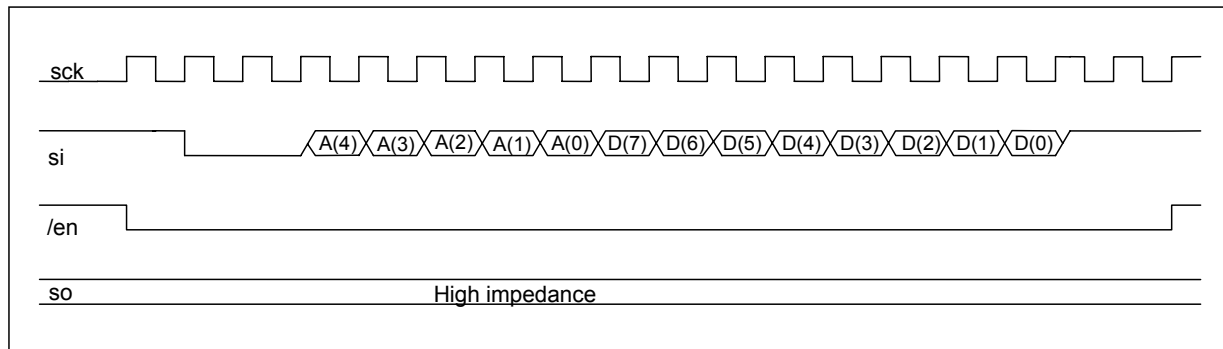
The module incorporates an antenna switch and a SAW Filter placed on the Rx path.



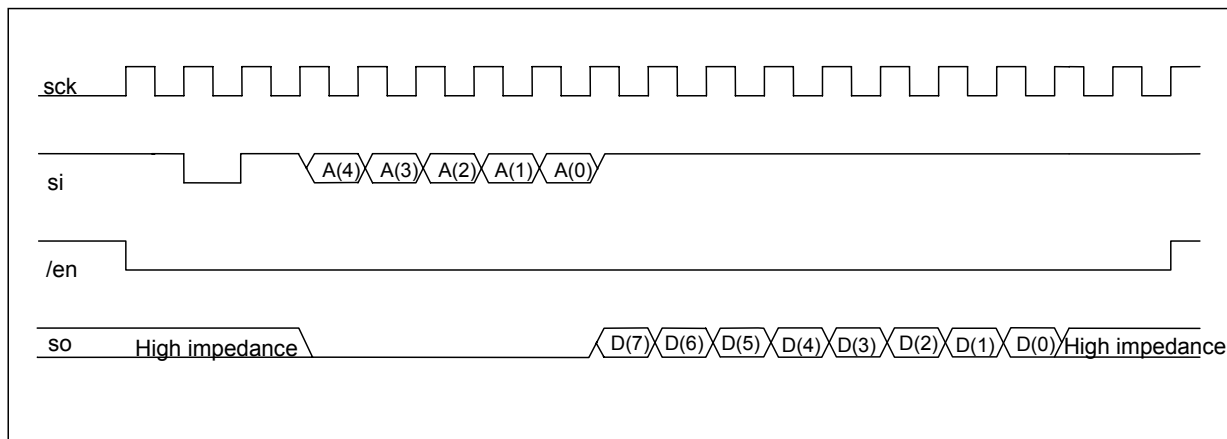
4 SERIAL CONTROL INTERFACE

A 3-wire bi-directional bus (SCK, SI, SO) is used to control the DP1203F. The output signal, SO, is provided by the DP1203F in opposition to the SCK and SI which needs to be provided by the external application as an 8-bit microcontroller. An access *Read* or *Write* with the XE1203F is possible only when the enable signal is active (active LOW).

For more information about the 3-wire bus, please refer to the XE1203F datasheet chapter; *Serial interface definition and principles of operation*.



Write sequence into configuration register



Read sequence of configuration register

5 OPERATION MODES

When operating the XE1203F, it might be useful to quickly switch between two pre-defined operating modes, to save time and traffic on the 3-wire serial interface bus. This may occur when the XE1203F is required to switch quickly between receive and transmit mode, when it has to operate on two different carrier frequencies, or when it has to switch between the high linearity mode B and the high sensitivity mode A. For that purpose, the five parameters stored in the SWParam Configuration Register are duplicated: the configuration set#1 and the configuration set #2.

Depending on the ConfigSwitch 1-bit Register or the input level at the SWITCH pin, the XE1203F transceiver will use either the SWParam configuration set#1 or the set #2. If the RTParam_Switch_ext configuration parameter is low, then the SWParam configuration set is selected by the ConfigSwitch parameter – set#1 if ConfigSwitch is “0”, set#2 if ConfigSwitch is “1”. If the RTParam_Switch_ext configuration parameter is high, then the SWParam configuration set is selected by the SWITCH pin – set#1 if SWITCH is low, set#2 if SWITCH is high.

| ConfigSwitch Register | SWITCH pin | RTParam_switch_ext configuration parameter | SWParam configuration set selected |
|-----------------------|---|--|--|
| 0 | SWITCH is an output: '1' in transmitter mode '0' in the other modes | 0 | Set #1: SWParam_mode_1 SWParam_Power_1 SWParam_Rmode_1 SWParam_t_delsig_in_1 SWParam_freq_1 |
| 1 | SWITCH is an output: '1' in transmitter mode '0' in the other modes | 0 | Set #2: SWParam_mode_2 SWParam_Power_2 SWParam_Rmode_2 SWParam_t_delsig_in_2 SWParam_freq_2 |
| X | 0 | 1 | Set #1: SWParam_mode_1 SWParam_Power_1 SWParam_Rmode_1 SWParam_t_delsig_in_1 SWParam_freq_1 |
| X | 1 | 1 | Set #2: SWParam_mode_2 SWParam_Power_2 SWParam_Rmode_2 SWParam_t_delsig_in_2 SWParam_freq_2 |

ConfigSwitch, SWITCH pin and SWParam Configuration Register

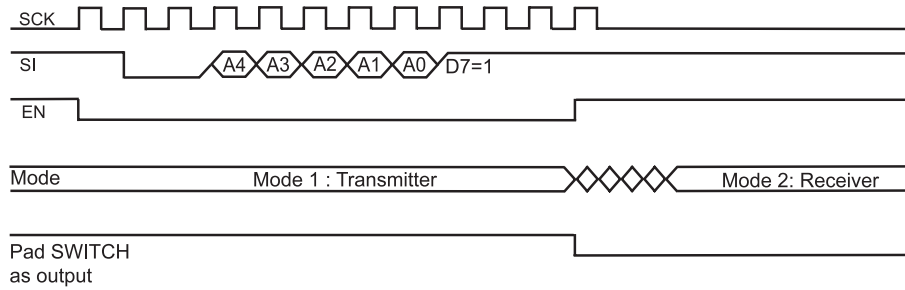
For more information about the modes of operation, please refer to the XE1203F Datasheet.

5.1 STANDARD SEQUENCE FOR SWITCHING BETWEEN RECEIVER AND TRANSMITTER

The drop-in module DP1203F is able to switch between any configuration by using the 3-wire bus or by using the pin SWITCH. This section describes the switching sequence from Set #1 to Set #2.

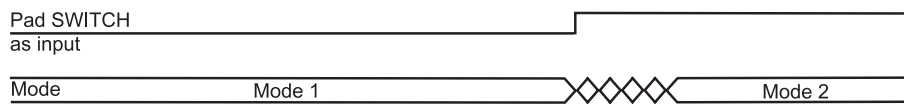
Switching sequence by using the 3-wire bus

RTParam_switch_ext = 0



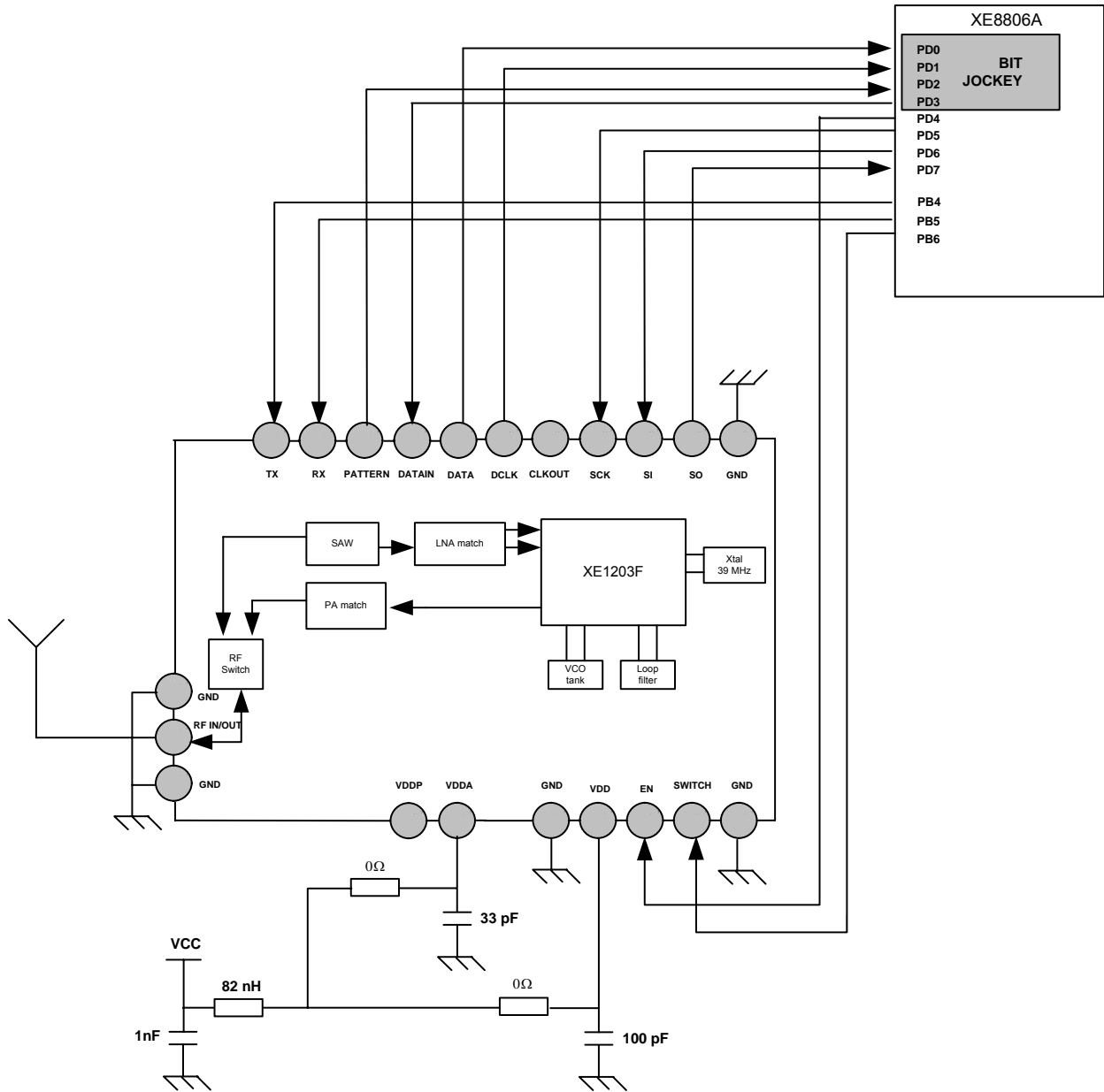
Switching sequence by pad SWITCH

RTParam_switch_ext = 1



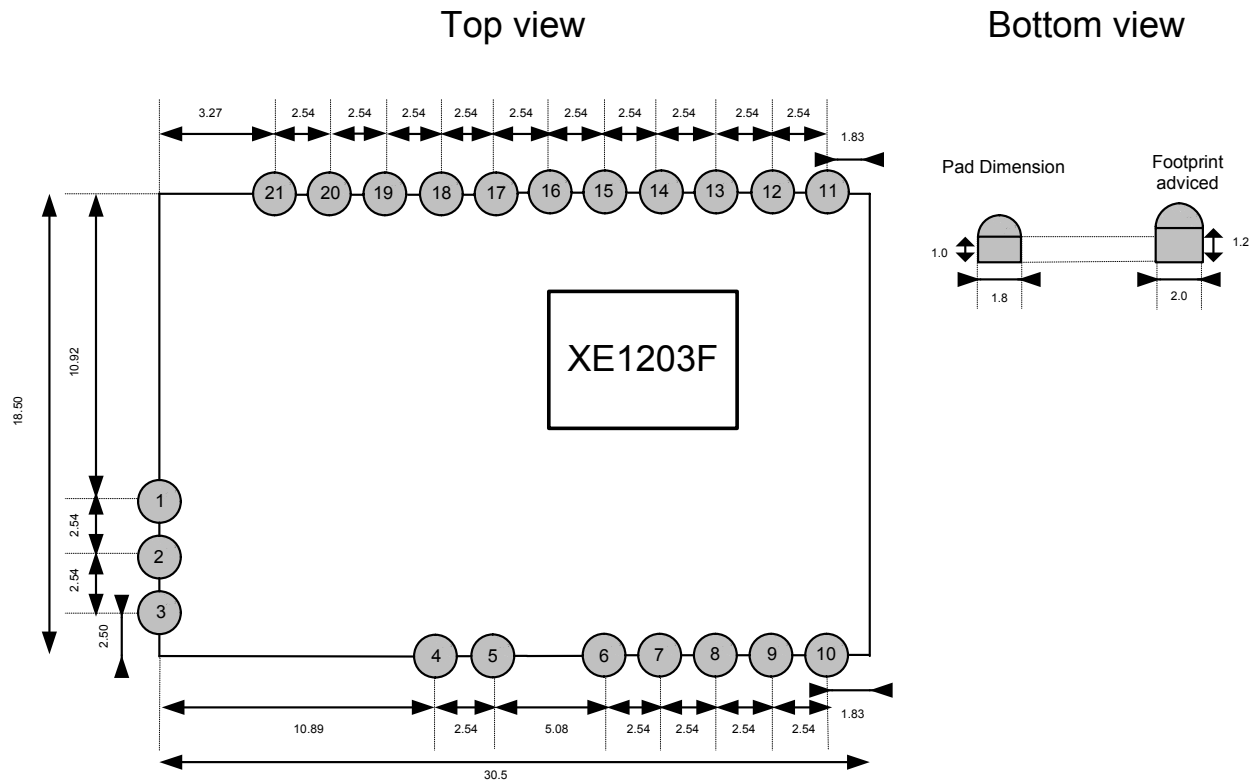
6 TYPICAL APPLICATION

The schematic below shows the DP1203F interfaced with a SEMTECH's microcontroller XE8806A.



7 MECHANICAL DIMENSIONS

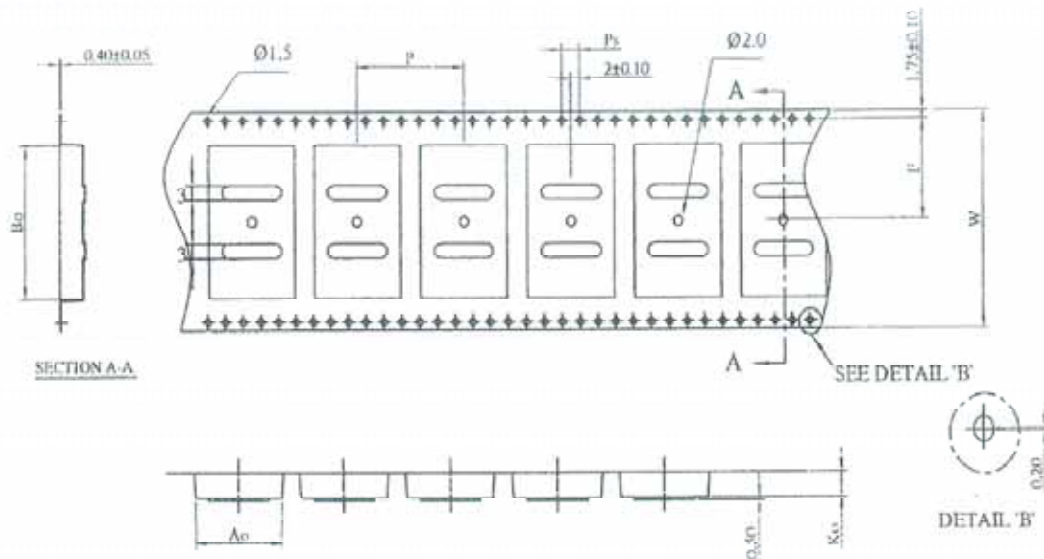
The following diagram shows the physical footprint and dimensions of the DP1203F drop-in module, which should be implemented on the mother board.



8 PACKAGING INFORMATION

MATERIAL TYPE : HIGH IMPACT POLYSTYRENE (CONDUCTIVE, BLACK)

CARRIER TAPE DRAWING:



| DIMENSIONS | W | P | Ao | B0 | Ko | Ps | F |
|----------------|-------|-------|-------|-------|------|------|-------|
| SPECS' Nominal | 44.00 | 24.00 | 19.50 | 31.10 | 5.30 | 4.00 | 20.30 |
| Tolerance +/- | 0.30 | 0.10 | 0.10 | 0.10 | 0.10 | 0.10 | 0.10 |

- All dimensions are in mm.
- Cambers do not exceed 1.0 mm in 100mm
- The maximum cumulative tolerance is +/-0.2 for 10 sprocket hole pitch
- The thickness of carrier tape is 0.4mm

9 REFERENCES

- The XE1203F and the XE8806A datasheets, as well as the TN8000.18 Technical Note (XE8000 driving XE1200 transceivers standard API definitions) are available from Semtech website (www.semtech.com).

© Semtech 2006

All rights reserved. Reproduction in whole or in part is prohibited without the prior written consent of the copyright owner. The information presented in this document does not form part of any quotation or contract, is believed to be accurate and reliable and may be changed without notice. No liability will be accepted by the publisher for any consequence of its use. Publication thereof does not convey nor imply any license under patent or other industrial or intellectual property rights. Semtech. assumes no responsibility or liability whatsoever for any failure or unexpected operation resulting from misuse, neglect improper installation, repair or improper handling or unusual physical or electrical stress including, but not limited to, exposure to parameters beyond the specified maximum ratings or operation outside the specified range.

SEMTECH PRODUCTS ARE NOT DESIGNED, INTENDED, AUTHORIZED OR WARRANTED TO BE SUITABLE FOR USE IN LIFE-SUPPORT APPLICATIONS, DEVICES OR SYSTEMS OR OTHER CRITICAL APPLICATIONS. INCLUSION OF SEMTECH PRODUCTS IN SUCH APPLICATIONS IS UNDERSTOOD TO BE UNDERTAKEN SOLELY AT THE CUSTOMER'S OWN RISK. Should a customer purchase or use Semtech products for any such unauthorized application, the customer shall indemnify and hold Semtech and its officers, employees, subsidiaries, affiliates, and distributors harmless against all claims, costs damages and attorney fees which could arise.

Contact Information

Semtech Corporation
Wireless and Sensing Products Division
200 Flynn Road, Camarillo, CA 93012
Phone (805) 498-2111 Fax : (805) 498-3804