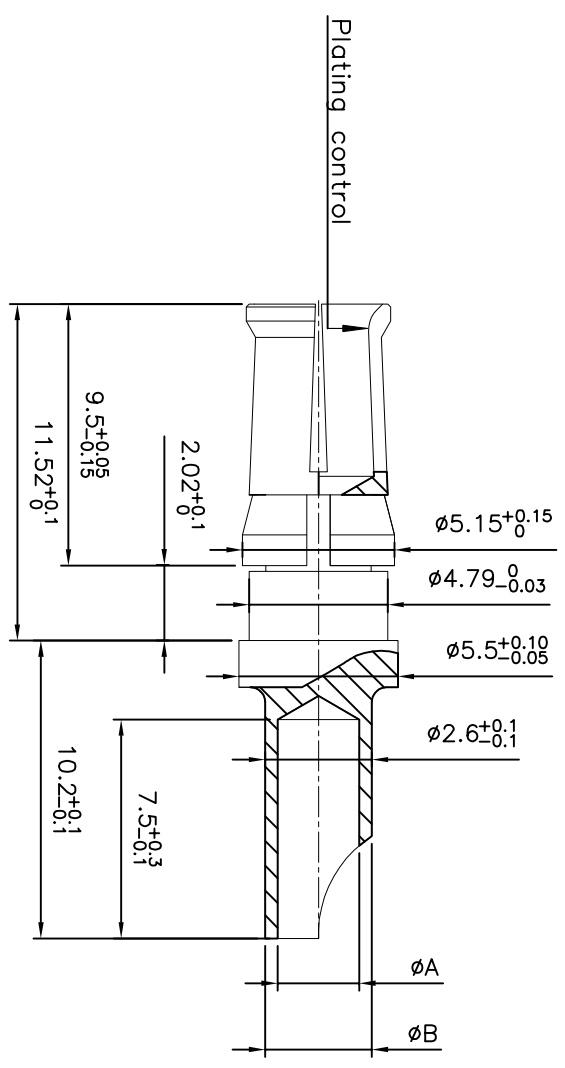


CONTACT PLATING : gold 0.40 μ over nickel 1 μ .



8630-3099NLF	Power contact (AWG 8)	4.40	5.00	3.90	8.98
8630-3057NLF	Power contact (AWG 12)	2.80	3.65	2.40	3.18
8630-3061NLF	Power contact (AWG 14)	2.10	3.00	1.70	1.91
8630-3065NLF	Power contact (AWG 16)	1.70	2.60	1.50	1.34
PART NUMBER	Designation	$\phi A$ +0.10 0	$\phi B$ ±0.10	$\phi$ ome mm	Section mm <sup>2</sup> WIRE

**NOTE:ROHS INFORMATIONS**

- The "LF" product meets European union Directives and other country regulations as described in GS-22-008.
- The product is not intended to be exposed to a manufacturing solder process.
- Packaging spec: see GS-14-920.

mat'l. code		surface		tolerance		projection		product family	
lfr	ecn no	dr	date	ISO 1302	ISO 406	ISO 1001	ISO 1001	D-SUB	
A	LS08-0022	MPE	2006/06/11	tolerances unless otherwise specified		0x	±0.1	POWER CONTACT (taille 8)	
B	LS08-0095	LCO	2006/06/23	angles	linear	0xx	±0.1	removable contact	
C	F-27591	ALA	2017/07/31	0,xx #2	0,xxx	#0.1	scale		
dr	M.PESSON	2006/06/11		engf	M.PESSON	2006/06/11		Amphenol FCI	
chn	LEGARRE	2006/06/11		appd	LEGARRE	2006/06/11		CO1-8639-2159 A3	
sheet	revision	1		type	Customer	Drawing		sheet 1 of 1	
index	sheet	1						size	