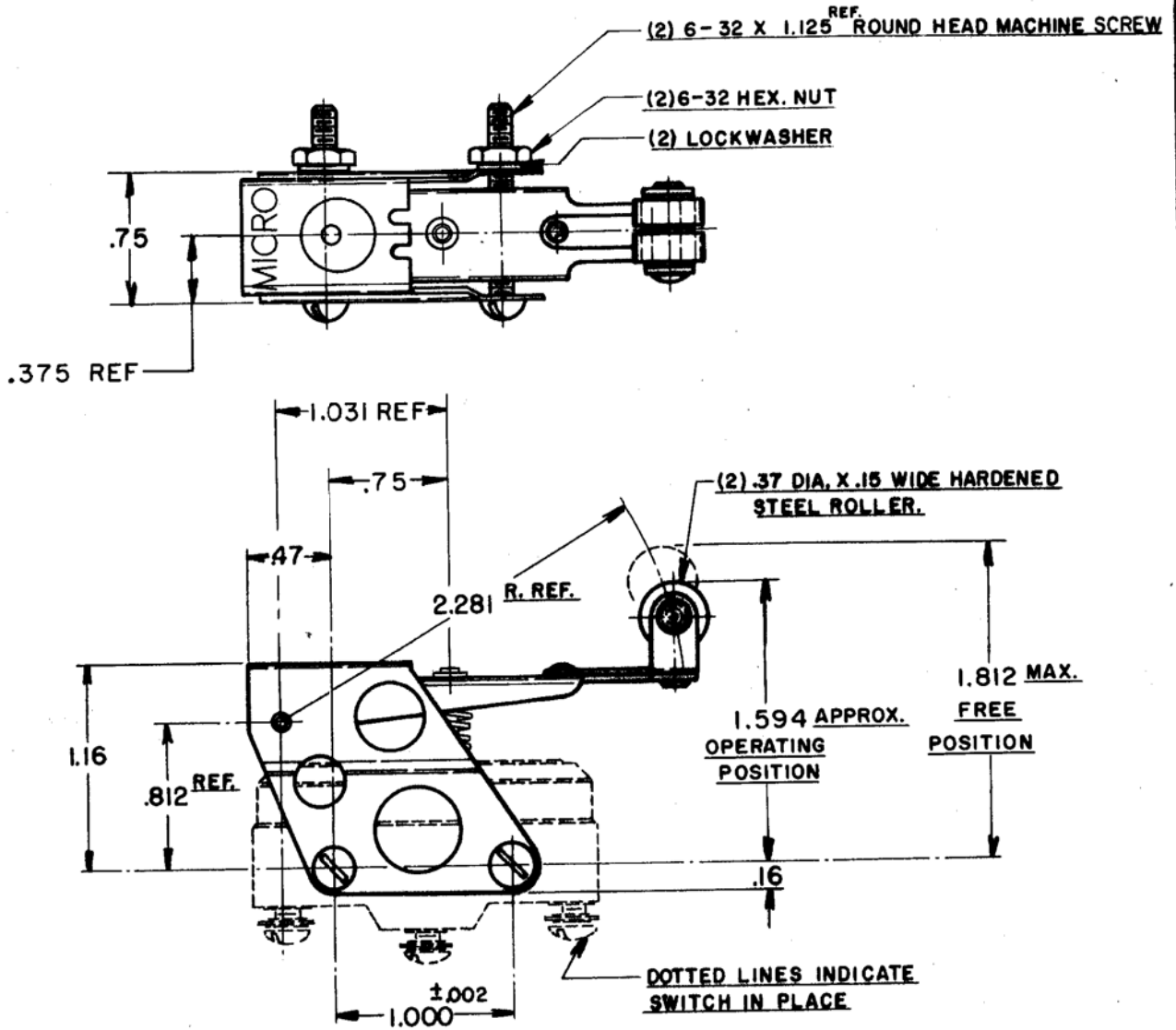


MICRO SWITCH
 A DIVISION OF MINNEAPOLIS-HONEYWELL REGULATOR COMPANY
 FREEPORT, ILLINOIS
 FED. MFR. CODE 91929

ACTUATOR - SWITCH

(M) SKETCH 15353
 ISSUE 1
 REPLACES
 ADA372IR8
 DRAWING NUMBER
 M
 ISSUE 4
 8
 REVISIONS
 A CO21727 M B F 29 AUG 66
 B CO44130 S J S 24 APR 78
 C CO79303 D A W 7 MAR 95
 CHECK CNT 18 JUNE 57
 CHECK GCH 20 JUNE 57
 CHECK O. M. W. 14 JUNE 57
 DRAWN
 FO-50378



NOTE-
 1-SCREWS, NUTS, AND LOCKWASHERS FURNISHED UNASSEMBLED.

THIS DRAWING COVERS A PROPRIETARY ITEM AND IS THE PROPERTY OF MICRO SWITCH, A DIVISION OF HONEYWELL. THIS DRAWING IS NOT TO BE COPIED OR USED WITHOUT THE APPROVAL OF MICRO SWITCH.

CHARACTERISTICS	ELECTRICAL DATA		SCALE FULL
	CONTACT ARRANGEMENT	BREAK DISTANCE	DO NOT SCALE PRINT
			UNLESS OTHERWISE SPECIFIED DIMENSIONS ARE IN INCHES
			TOLERANCES ARE:
			ONE PLACE (.0) ±.030
			TWO PLACE (.00) ±.015
			THREE PLACE (.000) ±.005
			ANGLES ±
			WEIGHT