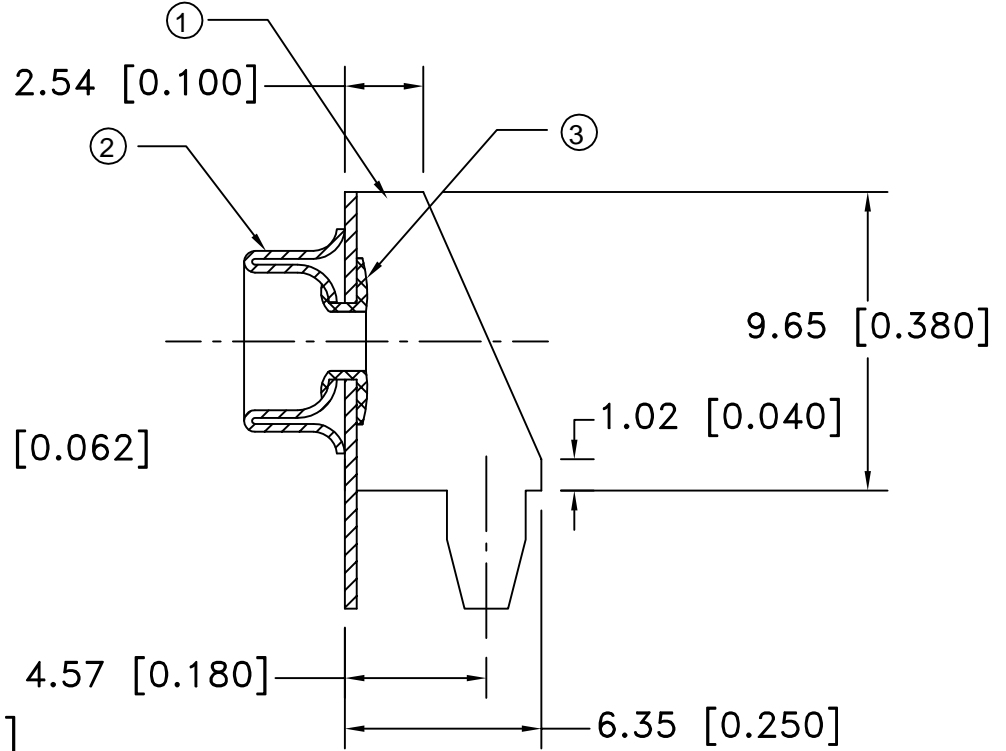
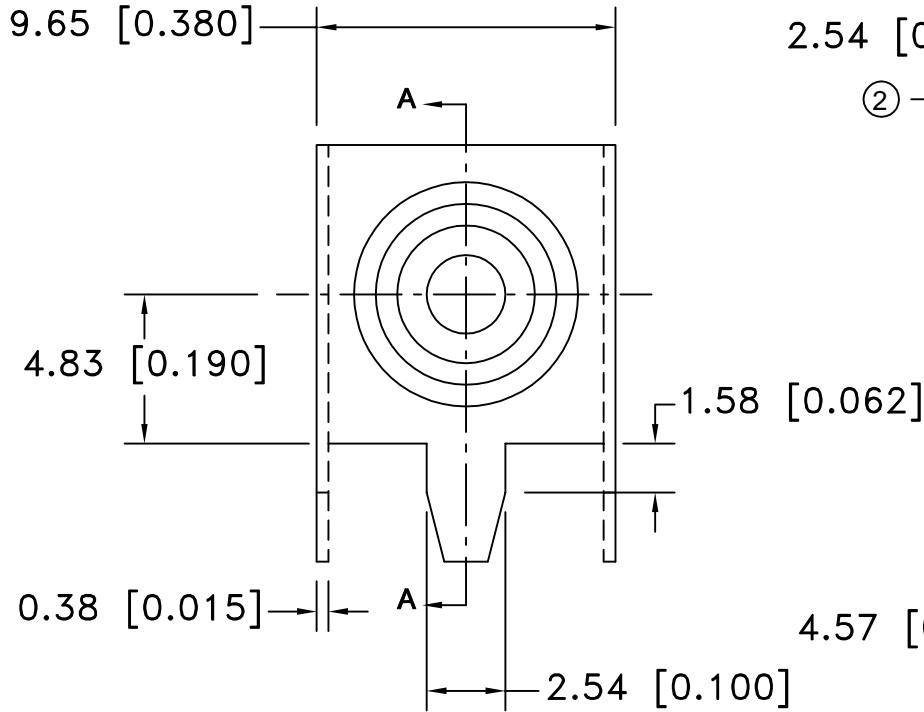



Date	SYM	REVISION RECORD	AUTH	DR.	CK.
5/26/07	A	ADDED "ROHS COMPLIANT"	T.B.	B.S.	

PCB LAYOUT



N0.	PART NO.	PART NAME	MATERIAL	QTY.
1		FRAME	STEEL-TIN PLTD	1
2	BSM	MALE SNAP	BRASS, NICKLE PLATED	1
3	BSR	RIVET	BRASS NICKLE PLATED	1

<p>ROHS COMPLIANT</p>	<p>Tolerance (Except as noted)</p>	 <p>Memory Protection Devices, Inc 200 Broad Hollow Road, Farmingdale, New York 11735</p>	
	<p>decimal $\pm .5 (.020)$</p>	<p>Scale</p>	<p>Drawn By B.S.</p>
	<p>Fractional $\pm .8 (.030)$</p>	<p>Title 9 VOLT MALE PRINTED CIRCUIT SNAP-ONS</p>	
	<p>Angular $\pm 3^\circ$</p>	<p>Date 5/26/07</p>	<p>Drawing Number BSPCM</p>