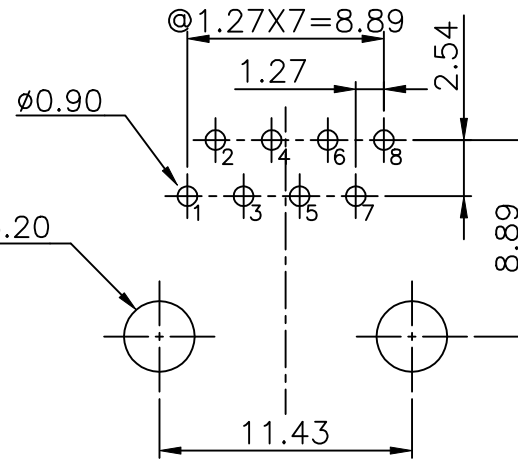
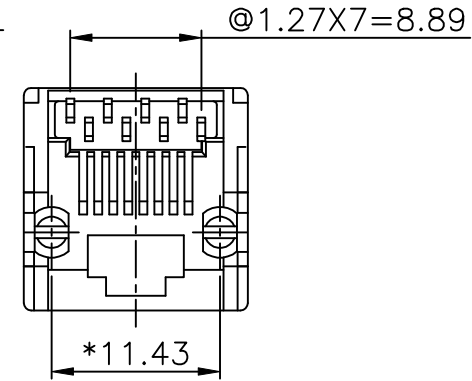
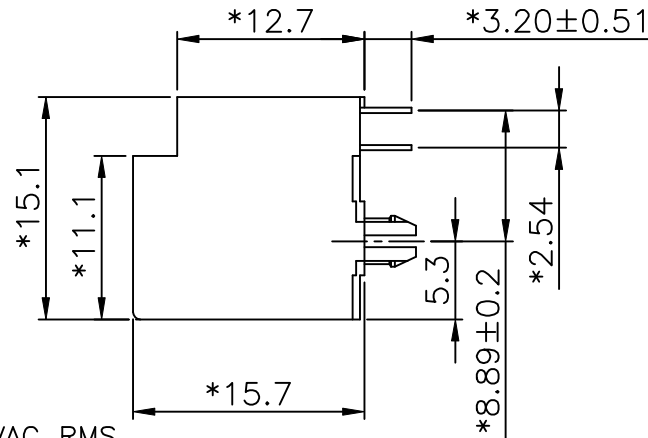
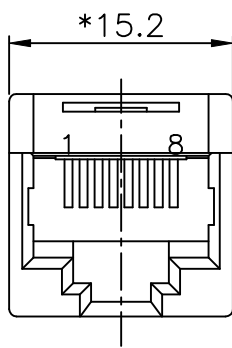


REVISION RECORD				
REV	ECO	DESCRIPTION	DRFT	CHKD
△		NOTES MODIFY	ANKUE	08/22/05



**NOTES:**

ELECTRICAL:

- VOLTAGE RATING : 125 VAC RMS .
- CURRENT RATING : 1.5 AMP .
- CONTACT RESISTANCE : 30 MILLIOHMS MAX.
- INSULATION RESISTANCE : 1000 MEGOHMS MIN @ 500 VDC.
- DIELECTRIC STRENGTH : 1000 VAC RMS 60Hz, 1MIN.

MECHANICAL:

- HOUSING MATERIAL : PBT+30% 94V-0 OR NYLON+25% 94V-0
- CONTACT MATERIAL : PHOSPHOR BRONZE. t=0.35mm
- PLATING : GOLD PLATING OVER NICKEL.
- OPERATING LIFE : 750 CYCLES MIN.
- PCB RETENTION PRE-SOLDER: 1 LB MIN.
- PCB RETENTION POST-SOLDER: 10 LBS MIN.

ENVIRONMENTAL:

- STORAGE: -40°C TO +85°C.
- OPERATION: -40°C TO +85°C.
- WAVE SOLDER TEMPERATURE: 230-250°C (3-5 SECOND).

△ PART NUMBER: E5288-700X4X-L

- 1- 3u" 2- 6u" 3-15u"
- 4-30u" 5-50u"
- 0-A06-0100 BK
- C-A05-0040 BK

RECOMMENDED HOLE PATTERN  
(COMPONENT SIDE VIEW)

DETACHED LISTS	MM (INCH)		DFTO SAMMY	DATE 06/21/05	FULL RISE ELECTRONIC CO., LTD	
	TOLERANCES EXCEPT AS NOTED		CHKD JAKE	DATE 2005/08/22		
	MM		MFD	DATE	TITLE RJ45 TOP ENTRY PCB JACK (DIP TYPE)	
	.0 ± 0.2	±	APPVLLUSHENG	DATE 2005/08/22		
.00 ± 0.15	±	MATERIAL :		DRAWING NO. GE523031-LC		
.000 ± 0.075	±	ANGLES ± 0.5		/PART NO. SEE NOTE		
THIRD ANGLE PROJECTION		FINISH :		SCALE : 3:1	SIZE A3	REV 1
DO NOT SCALE DRAWING				SHEET OF		