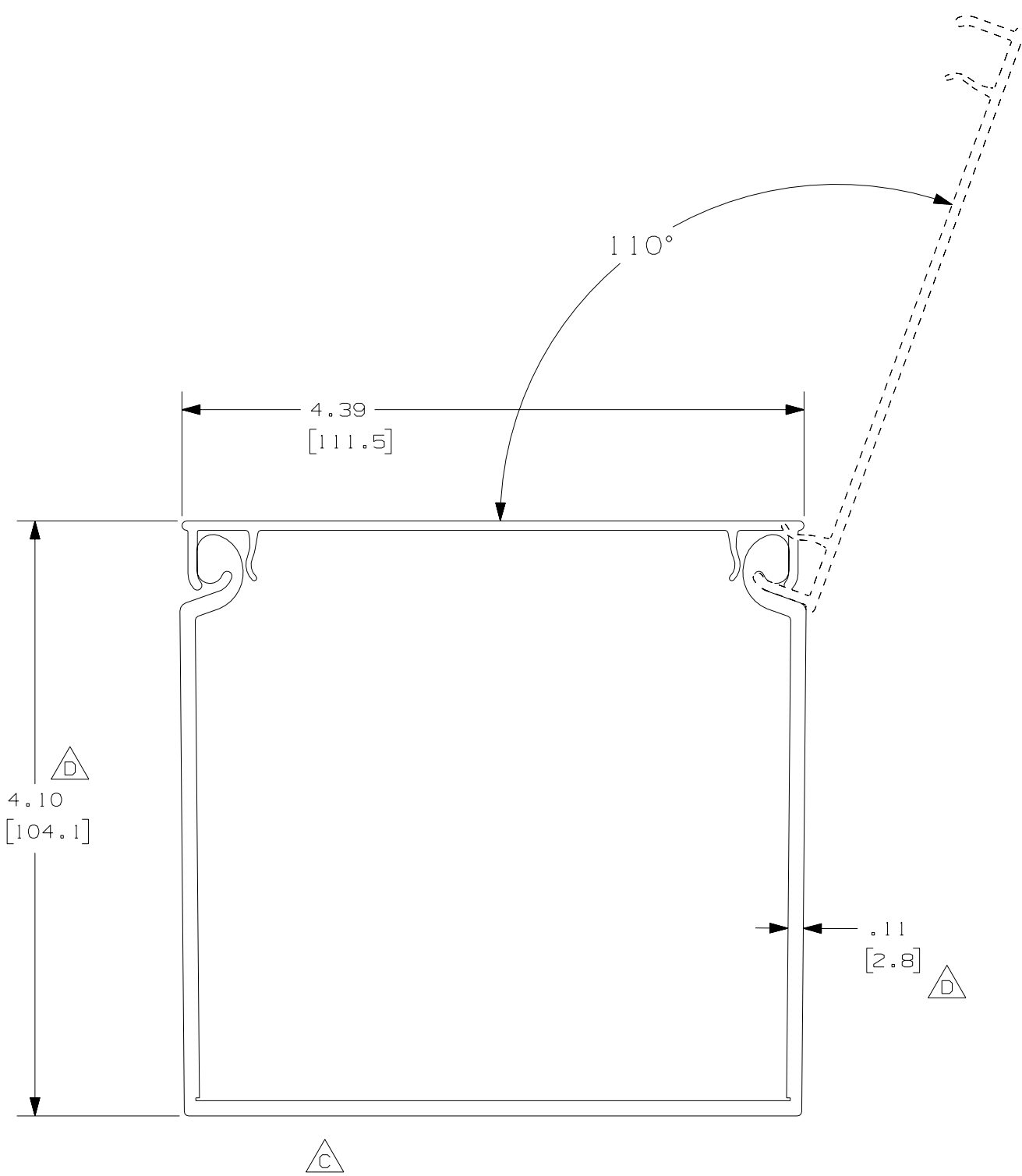




COVER - - PART NUMBER
HC4**6



DUCT - - PART NUMBER
HS4X4**6NM



△
E

NOTES:

1. ALL DIMENSIONS ARE REFERENCE ONLY.
2. DIMENSIONS IN PARENTHESIS ARE METRIC.
3. THE ** DENOTE COLOR.
4. DUCT AND COVER ARE AVAILABLE IN 6 FT [1828.8] LENGTHS.

REV	DATE	BY	CHK	DESCRIPTION
I	8/3/07	JCSTMKBE		B. ADDED DIMENSION A. CHANGED TITLE
R	8/12/05	JCSTMKBE		DRAWING RELEASED

CAD FILENAME/LAYERS		D11000PF_DC_00B	
PANDUIT			
CORP. TINLEY PARK, ILLINOIS			
WIRING DUCT - TYPE HS SOLID DUCT 4 X 4 *NM = NO MOUNTING HOLES (WITH COVER) MARKETING DRAWING			
DRWN BY	JCST	MAT'L:	PVC
DATE	8/12/05	SCALE	FULL
CHECKED BY	MKBE	DRAWING NO.	36897-1075
		DWG SIZE	C