

THIS DRAWING IS UNPUBLISHED.

RELEASED FOR PUBLICATION

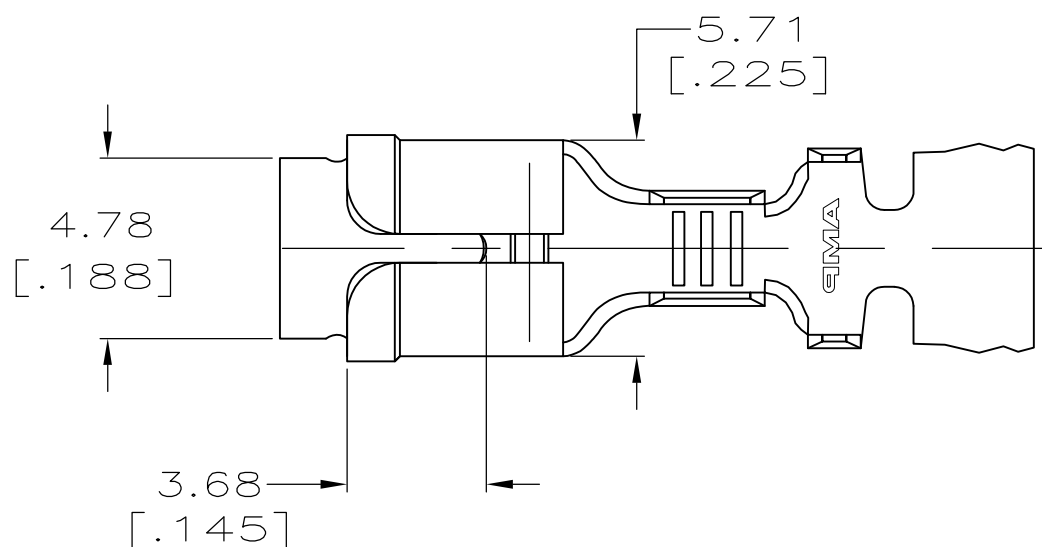
ALL RIGHTS RESERVED.

© COPYRIGHT - By -

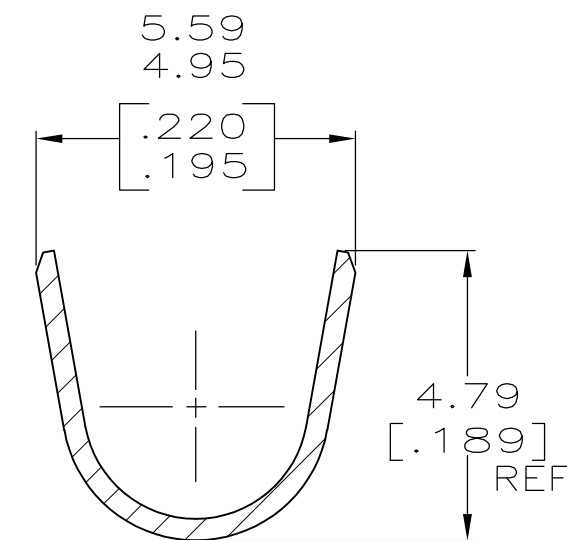
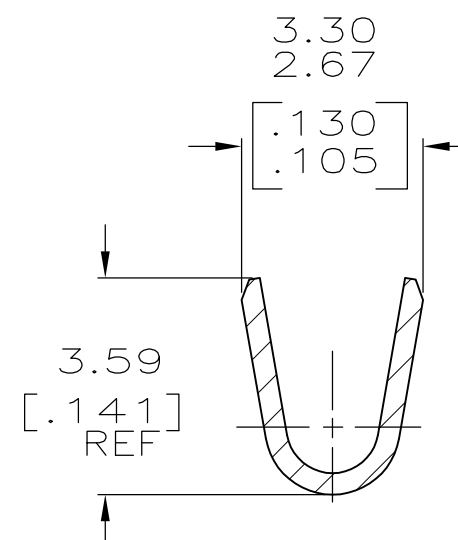
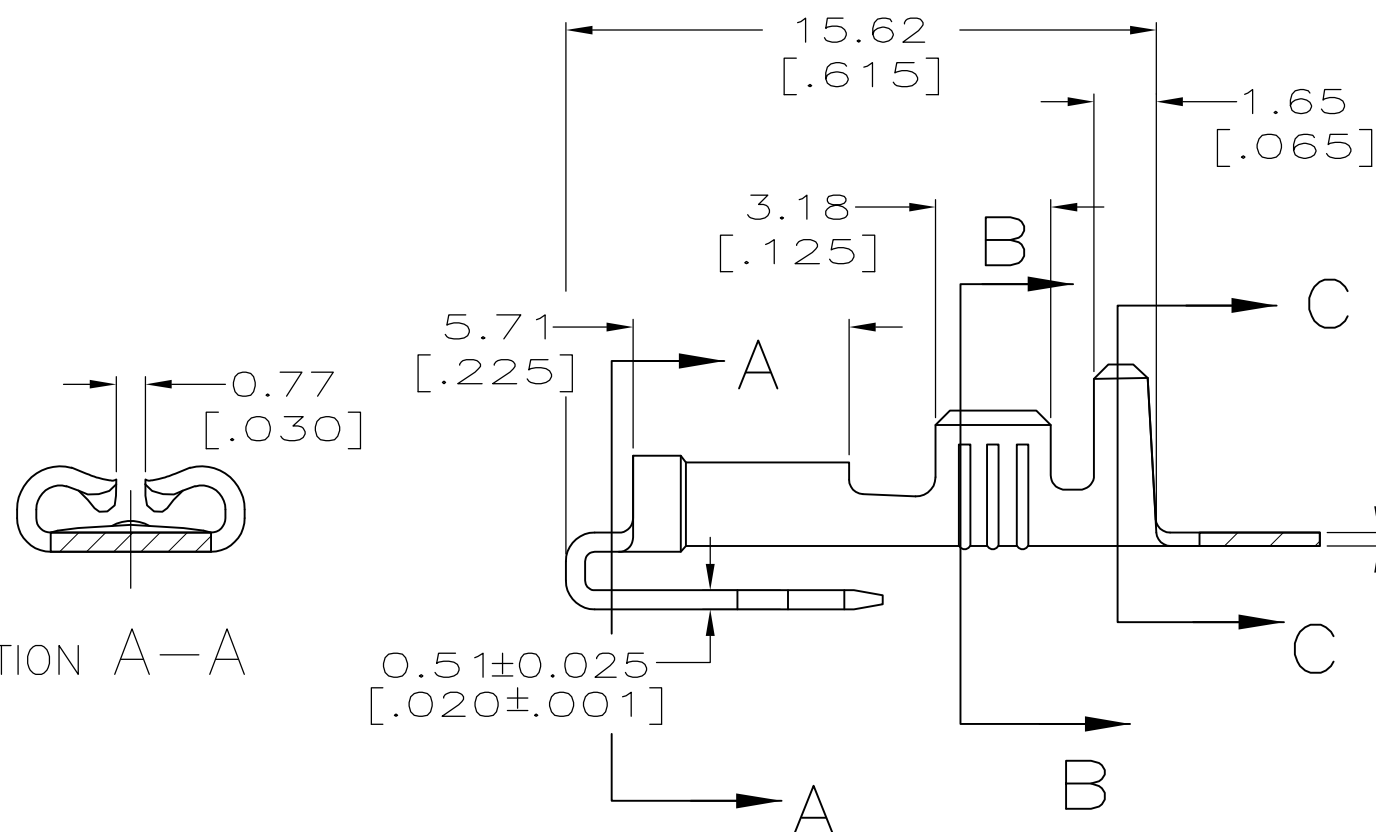
LOC AF DIST 50

REVISIONS

P	LTR	DESCRIPTION	DATE	DWN	APVD
	C	REVISED PER ECR-12-013518	26NOV2012	KH	PD



- CONTINUOUS STRIP ON REELS.
- WIRE SIZE IS [#18-#14] AWG.
- INSULATION RANGE IS 2.79-4.06 [.110-.160] DIA.
- MATING TAB THK IS 0.51±0.025 [.020±.001].




SECTION A-A

SECTION B-B SCALE 8:1

SECTION C-C SCALE 8:1

1217151-1 PART NO.

THIS DRAWING IS A CONTROLLED DOCUMENT.		DWN JR RUTH 6MAY99	 TE Connectivity RECEPTACLE, PIGGYBACK, FASTON, 4.75 [.187] SERIES						
DIMENSIONS: mm [INCHES]		CHK MS FEHER 6MAY99							
TOLERANCES UNLESS OTHERWISE SPECIFIED:		APVD S HEADER 6MAY99							
0 PLC ± - 1 PLC ± - 2 PLC ± 0.25 [.010] 3 PLC ± - 4 PLC ± - ANGLES ± -		NAME							
MATERIAL BRASS		FINISH TIN	PRODUCT SPEC -	APPLICATION SPEC -	WEIGHT -	SIZE A3	CAGE CODE 00779	DRAWING NO C-1217151	RESTRICTED TO -
CUSTOMER DRAWING			SCALE 5:1	SHEET 1 OF 1	REV C				