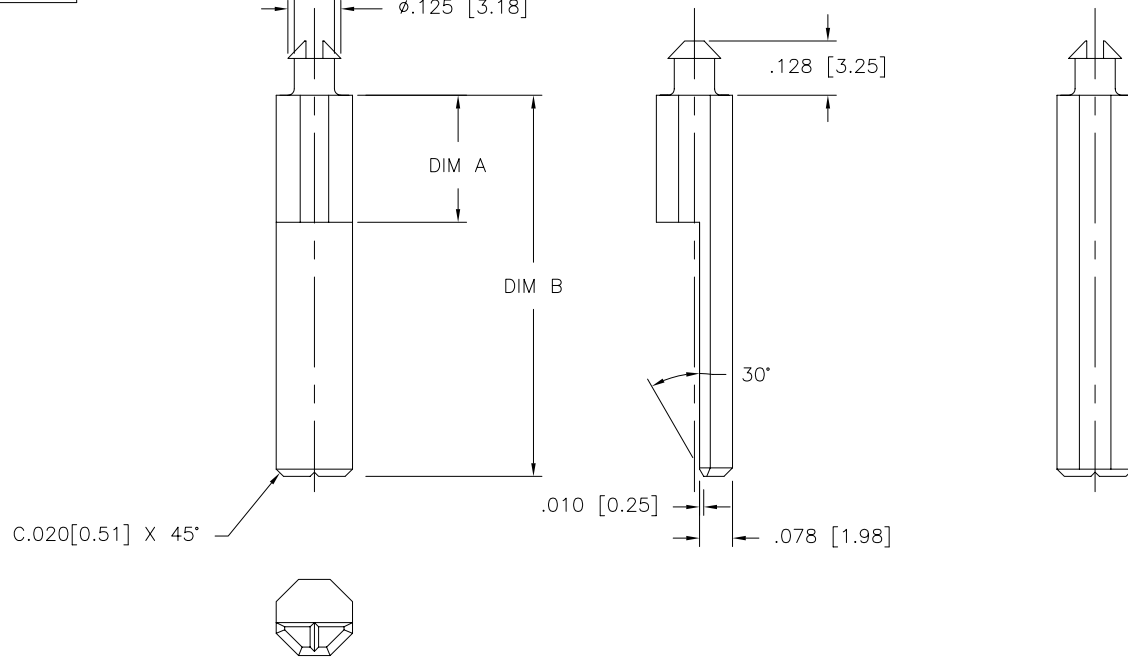
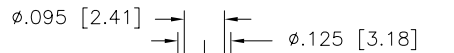
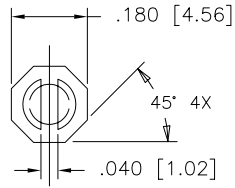


PRODUCT NO.	DIM A	DIM B
77549-001	.065/1.65	.275/6.99
77549-001LF		
77549-002	.300/7.62	.900/22.86
77549-002LF		
77549-003	.450/11.43	.770/19.56
77549-003LF		
77549-004	.065/1.65	.310/7.87
77549-004LF		

OBSOLETE  
OBSOLETE



NOTES:

- MATERIAL: NYLON, FLAME RETARDANT PER UL94V-0, COLOR: BLUE
- ADD AN LF SUFFIX TO PART NUMBERS FOR PRODUCT THAT MEETS EUROPEAN UNION DIRECTIVES AND OTHER COUNTRY REGULATIONS AS DESCRIBED IN GS-22-008.
- THIS PRODUCT IS NOT INTENDED TO BE EXPOSED TO MANUFACTURING SOLDER PROCESSES.

mat'l. code		surface		tolerance		projection		product family	
NOTE 1		ISO 1302		ISO 406		ISO 1101		HPC	
ltr	ecn	no	dr	date		tolerances unless otherwise specified		title	
F	v90010	SAR	1/18/99	angles	linear	.xx±.01/.3		8 POSITION MATING	
G	v00717	LSS	3/22/00			.xxx±.005/.13		ORIENTATION INSERT	
H	v05-0964	HTB	10/18/05	0°±2'		.xxxx±.0020/.051		scale 1:1	
J	M06-0283	MHT	7/27/06	dr	L.SANDERS	3/22/00		dwg no	
				enr	M.GRAY	3/22/00		sheet 1 of 1 size	
				chr	M.GRAY	3/22/00		77549	
				appd	M.GRAY	3/22/00		A3	
sheet	revision	J						type Product Customer Drawing	
index	sheet	1							



Copyright FCI