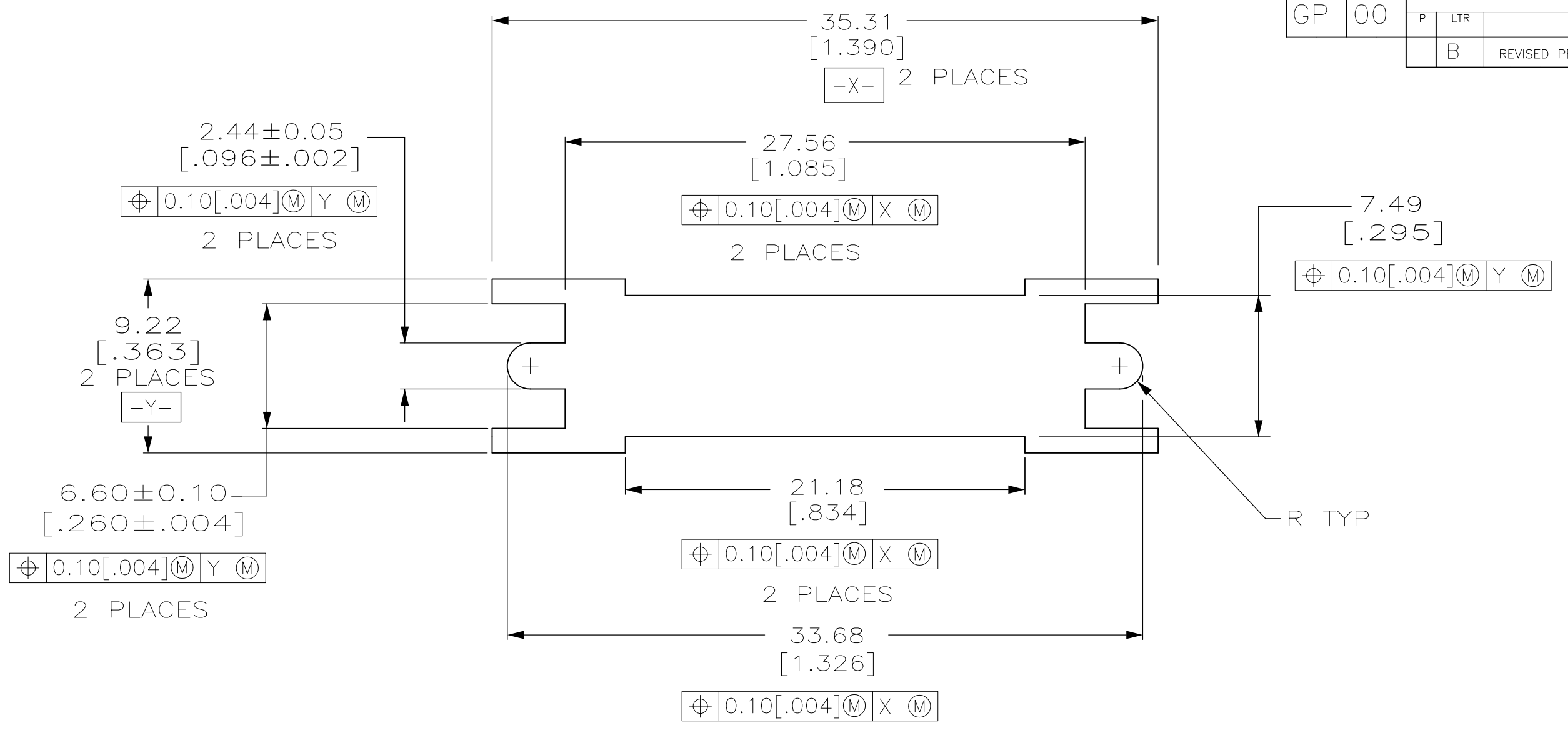
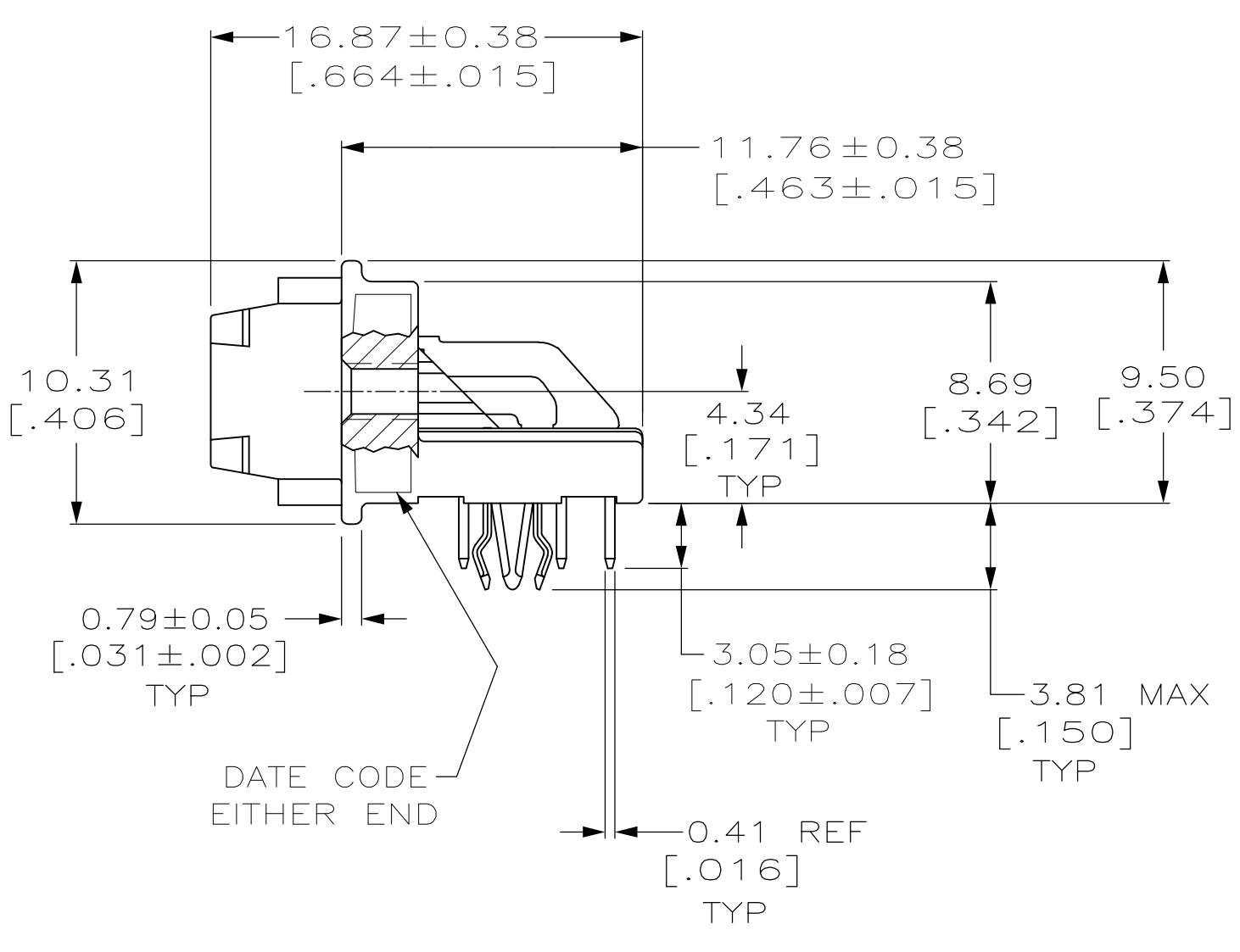
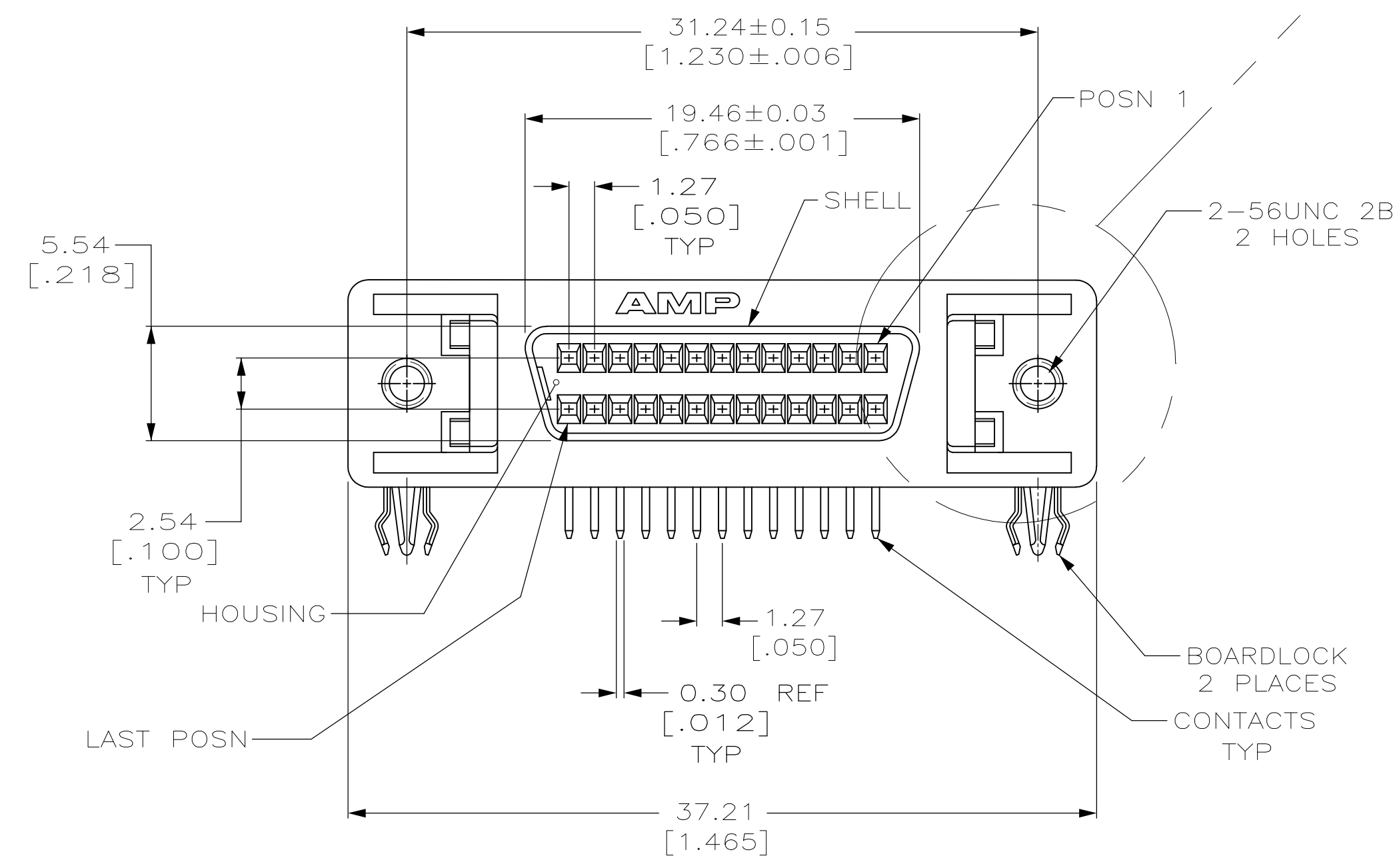
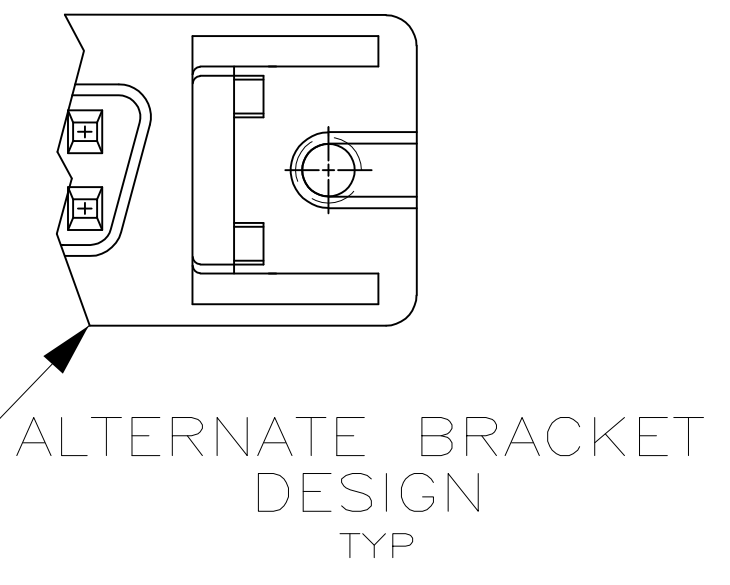
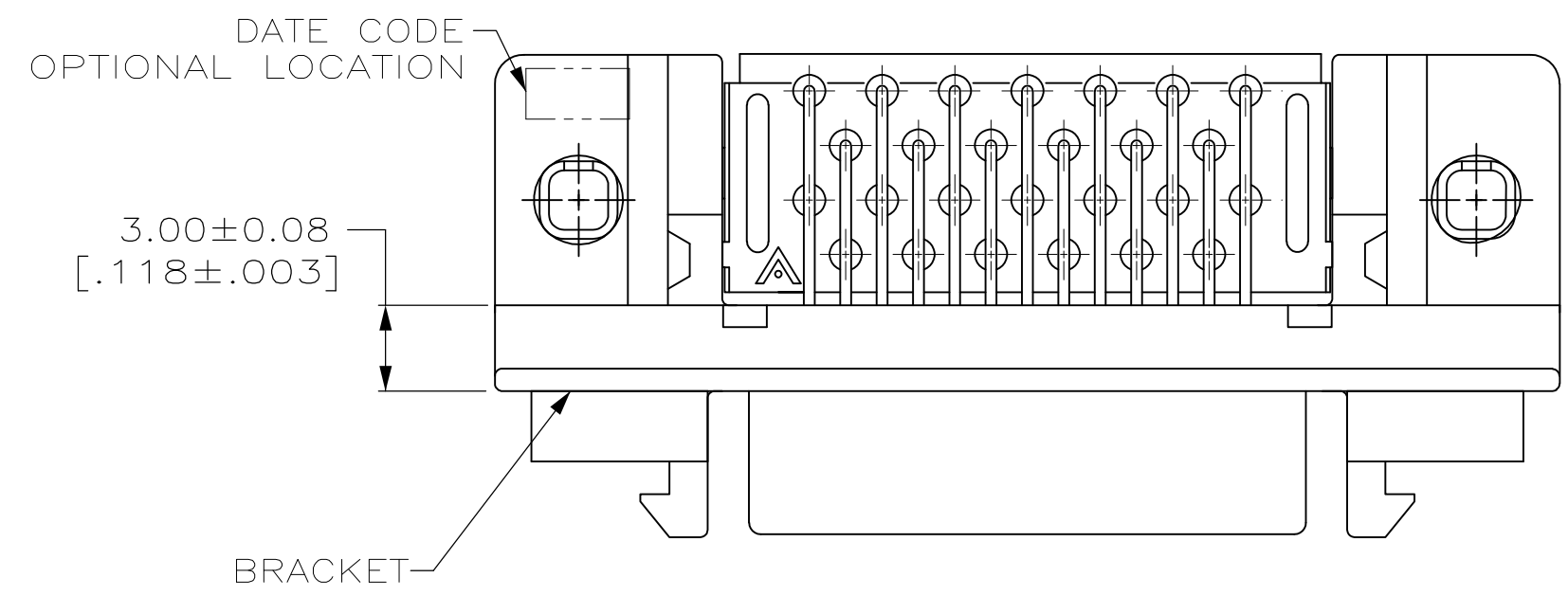


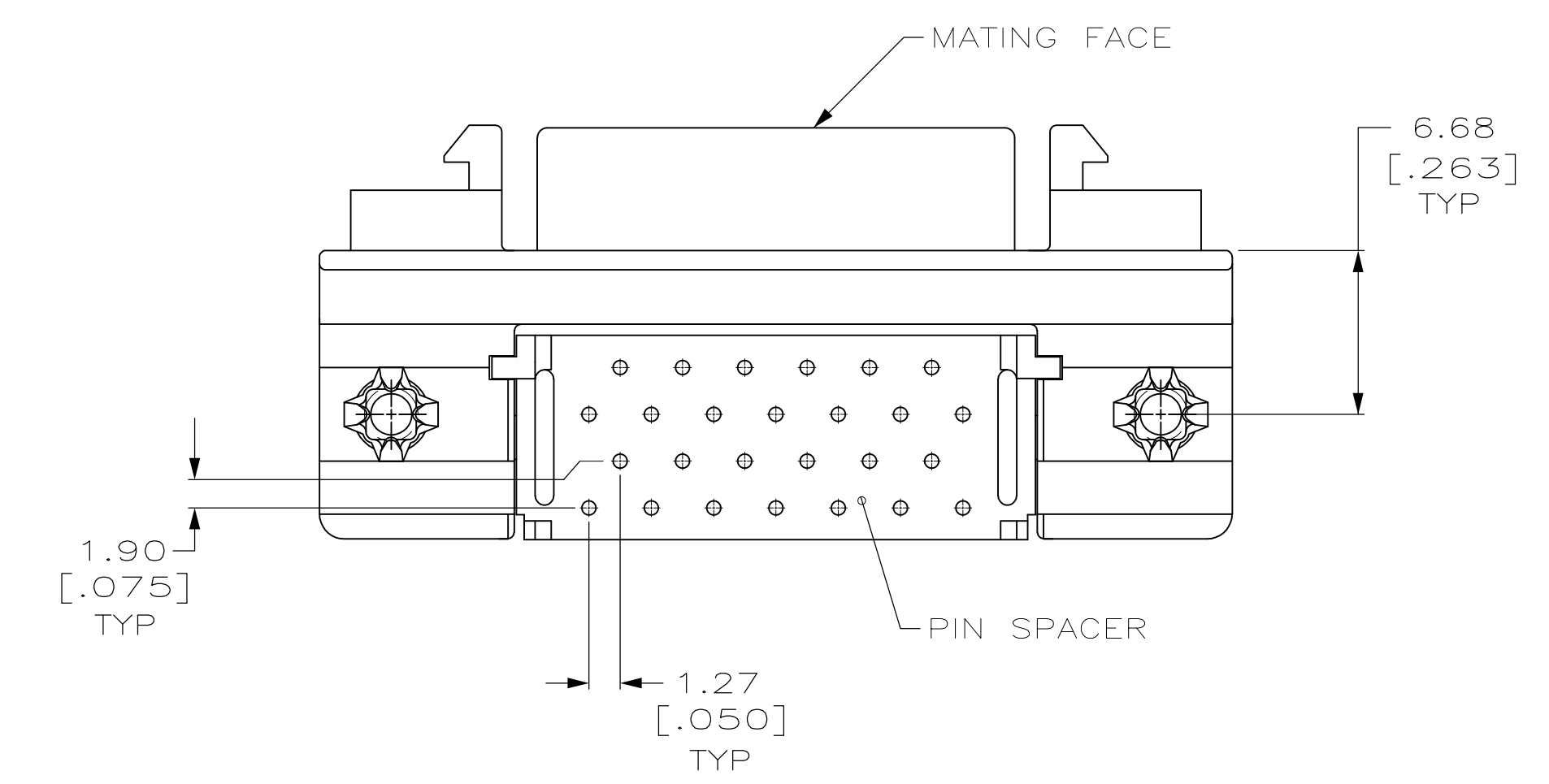
P.C. BOARD MOUNTING DIMENSIONS  
CONNECTOR SIDE  
P.C. BOARD THICKNESS 1.57±0.20 [.062±.008]



RECOMMENDED PANEL CUTOUT



- 1 MATERIAL  
HOUSING & PIN SPACER: UL 94V-0 RATED, THERMOPLASTIC, BLACK  
CONTACTS: PHOSPHOR BRONZE  
BRACKET: ZINC  
SHELL: CARBON STEEL  
BOARDLOCKS: COPPER ALLOY
- 2 FINISH  
CONTACTS: EITHER 0.76um [.000030] MIN GOLD PLATE FOR A LENGTH OF 0.64 [.025] MAX, 0.13 [.005] MIN FROM MATING END OR GOLD FLASH OVER PALLADIUM NICKEL PLATE, 0.76um [.000030] MIN TOTAL FOR A LENGTH OF 0.64 [.025] MAX, 0.13 [.005] MIN FROM MATING END. 3.81um [.000150] MIN TIN ON OPPOSITE END FOR A LENGTH OF 2.72 [.107] MIN, BOTH OVER 1.27um [.000050] MIN NICKEL.  
SHELL: 5.08um [.000200] MIN NICKEL OVER 1.27um [.000050] MIN COPPER.  
BRACKET: 2.54um [.000100] MIN NICKEL OVER 5.08um [.000200] COPPER.  
BOARDLOCK: 5.08um [.000200] MIN TIN OVER 1.27um [.000050] MIN NICKEL.



**COPYRIGHT 2005  
TYCO ELECTRONICS CORP  
ALL RIGHTS RESERVED**

26	6364491-1
NO. OF POSITIONS	PART NUMBER

THIS DRAWING IS A CONTROLLED DOCUMENT.		DWN L VARELA - 02-14-05	Tyco Electronics Corporation	
DIMENSIONS: mm [INCHES]		CHK S SHUEY 02-14-05	Harrisburg, PA 17105-3608	
TOLERANCES UNLESS OTHERWISE SPECIFIED:		APRD M WALSLEY 02-14-05	NAME	
0 PLC ± -	PRODUCT SPEC	RECEPTACLE ASSEMBLY, SHIELDED, RIGHT ANGLE, RAILED, .050 SERIES, AMPLIMITE		
1 PLC ± -	APPLICATION SPEC	108-1228		
2 PLC ± 0.13 [.005]	SIZE	114-40029		
3 PLC ± -	WEIGHT	-		
4 PLC ± -	CAGE CODE	DRAWING NO		
ANGLES ± -	FINISH	A1 00779 ©=6364491		
MATERIAL	FINISH	CUSTOMER DRAWING		
1	2	SCALE 4:1 SHEET 1 OF 1 REV B		