

## PIC32MK General Purpose and Motor Control (GP/MC) Silicon Errata and Data Sheet Clarification

The PIC32MK General Purpose and Motor Control (GP/MC) family of devices that you have received conform functionally to the current Device Data Sheet (DS60001402D), except for the anomalies described in this document.

The silicon issues discussed in the following pages are for silicon revisions with the Device and Revision IDs listed in [Table 1](#). The silicon issues are summarized in [Table 2](#).


The errata described in this document will be addressed in future revisions of the PIC32MK General Purpose and Motor Control (GP/MC) family silicon.

**Note:** This document summarizes all silicon errata issues from all revisions of silicon, previous and current. Only the issues indicated in the last column of [Table 2](#) apply to the current silicon revision (**A2**).

Data Sheet clarifications and corrections (if applicable) start on [page 15](#) following the discussion of silicon issues.

The silicon revision level can be identified using the current version of MPLAB® X IDE and Microchip's programmers, debuggers, and emulation tools, which are available at the Microchip corporate web site ([www.microchip.com](http://www.microchip.com)).

For example, to identify the silicon revision level using MPLAB X IDE in conjunction with a hardware debugger:

1. Using the appropriate interface, connect the device to the hardware debugger.
2. Open an MPLAB X IDE project.
3. Configure the MPLAB X IDE project for the appropriate device and hardware debugger.
4. Select *Window > Dashboard*, and then click the **Refresh Debug Tool Status** icon (  ).
5. The part number and the Device and Revision ID values appear in the **Output** window.

**Note:** If you are unable to extract the silicon revision level, please contact your local Microchip sales office for assistance.

The Device and Revision ID values for the various PIC32MK General Purpose and Motor Control (GP/MC) family silicon revisions are shown in [Table 1](#).

Part Number	Device ID <sup>(1)</sup>	Revision ID for Silicon Revision <sup>(1)</sup>	
		A1	A2
PIC32MK1024MCF100	0x6201053	0x1	0x2
PIC32MK1024MCF064	0x6202053		
PIC32MK0512MCF100	0x6204053		
PIC32MK0512MCF064	0x6205053		
PIC32MK1024GPE100	0x6207053		
PIC32MK1024GPE064	0x6208053		
PIC32MK0512GPE100	0x620A053		
PIC32MK0512GPE064	0x620B053		
PIC32MK1024GPD100	0x620D053		
PIC32MK1024GPD064	0x620E053		
PIC32MK0512GPD100	0x6210053		
PIC32MK0512GPD064	0x6211053		

**Note 1:** Refer to the “**Memory Organization**” and “**Special Features**” chapters in the current Device Data Sheet (DS60001402D) for detailed information on Device and Revision IDs for your specific device.

# PIC32MK GP/MC Family

Module	Feature	Item	Issue Summary	Affected Revisions <sup>(1)</sup>	
				A1	A2
Primary Oscillator	Posc	1.	Crystal primary oscillator (Posc) supports reduced operating range with restrictions.	X	X
Secondary Oscillator	Sosc	2.	The Secondary Oscillator (SOSC) does not support crystal operation.	X	X
Clocks	PBCLK6	3.	PBCLK6 defaults to 1:2 instead of 1:4.	X	X
FSCM	Clock Fail	4.	Device falls back to LPRC instead of FRC on FSCM event.	X	X
VBAT	VBAT	5.	VBAT is not functional.	X	X
VBAT	RTCC	6.	RTCC may lose SOSC clocks momentarily during a VDD to VBAT switch over event.	X	X
ADC	Level Trigger	7.	The ADC level trigger will not perform burst conversions in Debug mode.	X	X
ADC	Turbo Mode	8.	Turbo mode is not functional when two channels are linked for the purpose of increasing effective throughput.	X	X
ADC	DNL	9.	In Differential mode, DNL for code 3072 is not within specification.	X	X
ADC	AN26	10.	ADC input AN26 is not functional.	X	X
ADC	Scan	11.	Scan list conversion will restart without finishing current scan list if new trigger occurs before scan completion with ADC7.	X	X
ADC	Scan	12.	Shared ADC7 has high Offset and Gain Error in Scan mode.	X	X
Op amp	Op amp	13.	Enabling an Op amp output control bit disables respective comparators output pin function if also enabled but comparator output status bit is still functional.	X	X
Op amp	Op amp	14.	Op amp output is always enabled regardless of output enable control bit if OPAMP is enabled.	X	X
Op amp	Op amp PGA Mode	15.	When used in PGA Unity Gain mode, an Op amp continues to function despite being disabled (i.e., AMPMOD = 0).	X	X
Op amp	Op amp PGA Mode	16.	Op amps in Unity Gain mode (i.e., ENPGAx bit (CFGCON2<4, 2:0> = 1) are non-functional.	X	X
Op amp	PSRR	17.	Op amp does not meet PSRR electrical specification.	X	X
Op amp	Common Mode	18.	Op amps do not meet common mode voltage range (VCMR) specification.	X	X
Op amp	CMRR	19.	Op amps do not meet CMRR specification.	X	X
Op amp	Gain Margin	20.	Op amps do not meet gain margin specification.	X	X
DAC	INL	21.	The DACs do not meet INL specification at AVDD less than 3V, and TA is greater than +85°C.	X	X
DAC	DNL	22.	The DACs do not meet DNL specification at AVDD less than 3V.	X	X
Timer1	Counter Async	23.	Timer1 in Asynchronous External Counter mode does not reflect the first count from an external ext T1CK input.	X	X
Timer1	Sleep Async	24.	TMR1 register of Timer1 in Asynchronous mode remains at initial set value of five external clock pulses after wake-up from Sleep mode.	X	X
Timer1	Sleep Async	25.	Back-to-back writes to the TMR1 register are not allowed for four PBCLK2 cycles.	X	X

**Note 1:** Only those issues indicated in the last column apply to the current silicon revision.

# PIC32MK GP/MC Family

Module	Feature	Item	Issue Summary	Affected Revisions <sup>(1)</sup>	
				A1	A2
I/O	RTCC	26.	RTCC alarm output driver does not return to default/reset state on deep sleep wake-up through MCLR.	X	X
Deep Sleep	I/O	27.	Deep Sleep mode is non functional.	X	X
RCON	Register	28.	RCON status bits, VBPOR, PORIO, PORCORE, and VBAT, are inconsistent and cannot be used.	X	X
Sleep	IPD	29.	3 mA increase in sleep when PB5DIV is disabled.	X	X
Sleep	IPD	30.	Increase in sleep IPD current if USB pins D+ and D- are floating.	X	X
PMP	Status Flags	31.	PMP input buffer full flag IB0F and out buffer underflow OBUF are set as soon as PMP is turned ON in Slave mode, when TTLEN = 1.	X	X
PMP	Slave Mode	32.	CS is deasserting before RD in Slave mode.	X	X
CTMU	Triggers	33.	Edge Sequencing mode (EDGSEQEN (CTMUCON<2>)) triggers are not functional	X	X
CTMU	TGEN	34.	When the TGEN bit is set, manual current sourcing (i.e., setting the EDG1STAT bit) from CTMU is not possible.	X	X
ICAP	Debug	35.	Debug breakpoints are not supported when using Input Capture with DMA.	X	X
PWM	Time Base	36.	Leading-edge Blanking (LED) in XPRES mode, XPRES bit (PWMCONx<2>) = 1, is not functional.	X	X
PWM	I/O	37.	Alternate pin and I/O functions on unused PWM channels do not function when the PWM module is enabled.	X	X
PWM	LEB	38.	Incorrect LEB trigger applied if dead time is enabled.	X	X
PWM	Interrupts	39.	Multiple PWM Interrupts can occur for a single TRGIF, PWMLIF, and PWMHIF interrupt event, which causes the ISR to be re-executed multiple times if the PWM prescaler (i.e., PCLKDIV<2:0> bits (PTCON<6:4>)) or SCLKDIV<2:0> bits (STCON<6:4>) are greater than 5.	X	X
UART	TX/RX Interrupt	40.	A UART Transmit Interrupt (UTXISEL<1:0> bits (UxSTA<15:14>) = '0b00) is generated and asserted while the transmit buffer contains at least one empty space and the UART Receiver Interrupt Flag bit (URXISEL<1:0> bits (UxSTA<7:6>) = '0b00) is asserted while the receive buffer is not empty and non-functional.	X	X
UART	TX Interrupt	41.	A UART Transmit Interrupt (UTXISEL<1:0> bits = '0b01) is generated, but does not remain asserted when all of the characters have been transmitted.	X	X
UART	TX Interrupt	42.	A UART Transmit Interrupt (UTXISEL<1:0> bits = '0b10) is generated but does not remain asserted while the transmit buffer is empty.	X	X
UART	RX Interrupt	43.	The UART Receive Interrupt flag (URXISEL<1:0> bits = '0b01) is asserted only when the receive buffer equals one-half full and not when the receive buffer is greater than one-half full.	X	X
UART	RX Interrupt	44.	The UART Receive Interrupt Flag bit (URXISEL<1:0> bits = '0b10) is asserted only when the receive buffer equals three-quarters full and not when the receive buffer is greater than three-quarters full.	X	X

**Note 1:** Only those issues indicated in the last column apply to the current silicon revision.

# PIC32MK GP/MC Family

Module	Feature	Item	Issue Summary	Affected Revisions <sup>(1)</sup>	
				A1	A2
UART	High Speed Mode	45.	The UART Stop bit duration is shorter than expected in High-Speed mode (UxMODE.BRGH =1) for baud rates less than 7.5 MBPS.	X	X
CAN	Interrupt	46.	The CAN Wake Interrupt Flag bit, WAKIF (CxINT<14>), is set even when the CAN module is disabled.	X	X
Deadman Timer (DMT)	Reset	47.	The Deadman Timer module does not cause a Non-maskable Interrupt (NMI) on a BAD1, BAD2, or DMTEVENT.	X	X
Watchdog Timer (WDT)	WDT	48.	Multiple valid key writes can be performed outside the Watchdog Timer window before a Reset occurs instead of the required single write.	X	X
ICSP	TDO	49.	The TDO pin becomes an output and toggles while programming on any of the ICSP PGECx/PGEDx pair.	X	X
VIH	Input Specification	50.	VIH(MIN) does not meet the electrical specification of (0.65 * VDD), but instead VIH(MIN) = (0.8 * VDD).	X	X
Cache	Exception	51.	A Data Bus Error Exception can occur when prefetch cache is enabled (PREFEN<1:0> bits (CHECON<5:4>) = `0b01).	X	
BOR	POR	52.	On a BOR event, and when the BORSEL bit (DEVCFG2<29>) = 0, the POR Status bit (RCON<1>) may also be erroneously set.	X	X
BOR	Reset	53.	On a BOR event, VPOR < VDD < VBOR, a Reset is not generated when the BOR threshold is reached. System clocks will stop with all I/O pins function frozen in their present state until either VDD falls to VPOR or VDD returns to above VBOR.	X	
SPI2	PPS	54.	The SPI SS2R PPS register cannot be read nor used with bit instruction of the form SS2Rbits.SS2R as it is a read-modify-write command.	X	X
DMA	R/W access to a peripheral	55.	The CPU and DMA controller must not be allowed to simultaneously attempt access to the same peripheral bus.	X	X

**Note 1:** Only those issues indicated in the last column apply to the current silicon revision.

## Silicon Errata Issues

**Note 1:** This document summarizes all silicon errata issues from all revisions of silicon, previous as well as current. The table provided in each issue indicates which issues exist for a particular revision of silicon.

**2:** The following applies to the Affected Silicon Revision tables in each silicon issue:

- An 'X' indicates the issue is present in this revision of silicon.
- Shaded cells with an Em dash ('—') indicate that this silicon revision does not exist for this issue.
- Blank cells indicate an issue has been corrected or does not exist in this revision of silicon.

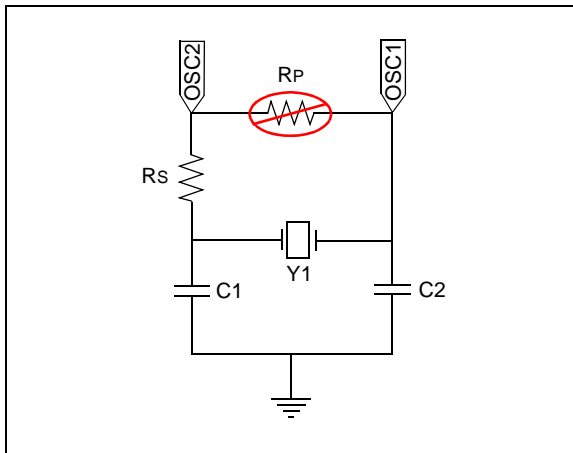
### 1. Module: Primary Oscillator

The Posc supports only specific crystal operation, as provided in [Table 3](#).

#### Work around 1

The Primary Oscillator (Posc) has been characterized to operate at 8 MHz and 12 MHz when the circuit shown in [Figure 1](#) is implemented and the operating conditions provided in [Table 3](#) are met.

**FIGURE 1: Posc CRYSTAL CIRCUIT**



**TABLE 1: CRYSTAL SPECIFICATIONS**

Crystal Frequency (see Note 1)	Series Resistor Rs	Posc Gain Setting POSCGAIN<1:0> (DEVCFG0<20:19>)	Posc Boost Setting POSCBOOST (DEVCFG0<21>)
8 MHz	2 kΩ	'0b00 (GAIN_0)	'0b1
12 MHz	1 kΩ	'0b00 (GAIN_0)	'0b1
24 MHz <sup>(3)</sup>	0	'0b00 (GAIN_0)	'0b1

**Note 1:** Using any other crystal frequency will require special component selection and characterization.

**2:** A parallel resistor (Rp) should not be used to increase the gain of the Posc.

**3:** Only 24 MHz crystals with a Mfg ESR ≤ 40Ω.

#### Work around 2

Alternatively, use an external clock or the Internal FRC Oscillator. Communication interfaces, such as CAN, USB, etc., with tighter clock accuracy requirements will not function with the FRC as clock source.

#### Affected Silicon Revisions

A1	A2						
X	X						

### 2. Module: Secondary Oscillator

A crystal oscillator cannot be used as the input to the Secondary Oscillator (SOSC) pins, SOSCI and SOSCO.

#### Work around

Use an external clock source (32,768 Hz) applied to the SOSCO pin with the FSOSCEN bit (DEVCFG1<6>) set to '0' (i.e., the Sosc pin is disabled through the Configuration Word) for a real-time clock base; otherwise, use the internal LPRC for non-precision requirements.

#### Affected Silicon Revisions

A1	A2						
X	X						

# PIC32MK GP/MC Family

## 3. Module: Clocks

The PB6DIV<6:0> (i.e., PBDIV<6:0> bits), default to '0b0000001 (1:2) instead of '0b0000011 (1:4). The max clock rate supported for the PBCLK6 bus is 30 MHz.

### Work around

Set the PBDIV<6:0> bits = '0b0000011 (i.e., 1:4) assuming a 120 MHz SYSCLK. This is a register that requires an unlock sequence.

### Affected Silicon Revisions

A1	A2						
X	X						

## 4. Module: FSCM

When the FCKSM<1:0> bits (DEVCFG1<15:14>) = '0b1x, clock fail monitoring is enabled, and a clock fail is detected. The SYSCLK source switches to the LPRC instead of the FRC as intended.

### Work around

If the user has clock software clock switching enabled, FCKSM<1:0> = '0b11, they can perform a software clock switch to the FRC instead.

### Affected Silicon Revisions

A1	A2						
X	X						

## 5. Module: VBAT

The VBAT pin is non-functional and it must be connected to VDD.

### Work around

None.

### Affected Silicon Revisions

A1	A2						
X	X						

## 6. Module: VBAT

RTCC may lose Sosc clocks momentarily during a VDD to VBAT switch over event.

### Work around

None.

### Affected Silicon Revisions

A1	A2						
X	X						

## 7. Module: ADC

The ADC level trigger, ADCTRGx register = '0b00010, will not perform burst conversions in Debug mode.

### Work around

Do not use Debug mode with the ADC level triggers.

### Affected Silicon Revisions

A1	A2						
X	X						

## 8. Module: ADC

Turbo mode, TRBEN bit (ADCCON1<31>) = 1, is not functional when two channels are linked for increasing effective throughput.

### Work around

The user can still increase the effective throughput rate by interleaving ADC cores and trigger sources by connecting multiple dedicated high-speed ADCs to the same analog input and staggering the respective ADCx core triggers appropriately.

**TABLE 2: INTERLEAVED ADC PERFORMANCE VDD > 2.5V**

Number of Interleaved ADC (12-bit mode)	Minimum TAD Sampling Time (SAMC)	Maximum Effective Sampling Rate (in Msps)
2	13	4.615
3	7	8.57
4	5	12
5	4	15
6	3	20

### Affected Silicon Revisions

A1	A2						
X	X						

## 9. Module: ADC

In Differential mode, code 3072 has a DNL of +3.

### Work around

None.

### Affected Silicon Revisions

A1	A2						
X	X						

# PIC32MK GP/MC Family

## 10. Module: ADC

ADC input AN26 is not functional.

### Work around

None.

### Affected Silicon Revisions

A1	A2						
X	X						

## 11. Module: ADC

Scan list conversions defined in the ADCCSS1 register will restart without finishing the current scan list and do not generate an EOSRDY bit (ADCCON2<29>) end of scan interrupt status if a new trigger event from the STRGSRC<4:0> bits (ADCCON1<20:16>) trigger source occurs before the scan list completion on the shared ADC7 core.

### Work around

Ensure that the STRGSRC<4:0> bits trigger source repetition rate > (sample + conversion) times of the sum of all ANx inputs defined in the ADCCSS1/ADCCSS2 registers.

### Affected Silicon Revisions

A1	A2						
X	X						

## 12. Module: ADC

Shared ADC7 has high Offset and Gain Error up to 38 Lsb in ADC7 Scan mode, as defined in the ADCCSS1/ADCCSS2 registers.

### Work around

Increase the user-defined SAMC<9:0> bits (ADCCON2<25:16>) sample time register value by 4 TAD. This will reduce the ADC7 throughput that the user must consider, but it will reduce the gain and offset to less than 4 Lsb in 12-bit mode.

### Affected Silicon Revisions

A1	A2						
X	X						

## 13. Module: Op amp

Enabling the Op amp Output Enable bit, OAO (CMxCON<11>) = 1, disables the respective Comparator's output pin function, CxOUT, on a different pin entirely if it was enabled, COE bit (CMxCON<14>); however, the Comparator Output Status is still functional.

### Work around

None. The same Op amp/Comparator outputs cannot be enabled simultaneously.

### Affected Silicon Revisions

A1	A2						
X	X						

## 14. Module: Op amp

When the AMPMOD bit (CMxCON<10>) = 1 (the Op amp is enabled), the Op amp output pin is active regardless of the state of the OAO bit (CMxCON<11>) Op amp output pin enable.

### Work around

If the user does not want the Op amp output pin to be active, do not enable the Op amp until required.

### Affected Silicon Revisions

A1	A2						
X	X						

## 15. Module: Op amp

When used in 1x Unity Gain Buffer mode, an Op amp continues to function despite being disabled, (i.e., AMPMOD bit (CMxCON<10>) = 0.

### Work around

None.

### Affected Silicon Revisions

A1	A2						
X	X						

# PIC32MK GP/MC Family

## 16. Module: Op amp

Op amps in Unity Gain mode (i.e., ENPGAx bit (CFGCON2<20, 18, 17, 16>) = 1) are non-functional.

### Work around

Do not use Op amp Unity Gain mode or use external 8x resistor signal attenuation network to Op amp input and then use op amp with 8x gain for net 1x signal gain.

### Affected Silicon Revisions

A1	A2						
X	X						

## 17. Module: Op amp

Op amp minimum PSRR electrical spec is -39 db versus -75 db typical.

### Work around

None.

### Affected Silicon Revisions

A1	A2						
X	X						

## 18. Module: Op amp

Op amps do not meet common mode voltage range specification between 0.4V-0.9V, where CMRR is reduced to < 28 db.

### Work around

None.

### Affected Silicon Revisions

A1	A2						
X	X						

## 19. Module: Op amp

Op amps CMRR is < 28 db at input common mode voltages between 0.4V-0.9V, which is less than the electrical specification of 70 db minimum.

### Work around

None.

### Affected Silicon Revisions

A1	A2						
X	X						

## 20. Module: Op amp

Op amps do not meet the typical gain margin specification of 20, but are instead 15.

### Work around

None.

### Affected Silicon Revisions

A1	A2						
X	X						

## 21. Module: DAC

DACs when sourcing IOUT(MAX) = -1.5 mA, do not meet INL ±4 Lsb specification when AVDD < 3.0V. and TA > 85°C.

### Work around

Do not use DACs to source > -0.75 mA at 2.6V < AVDD < 3.0V.

### Affected Silicon Revisions

A1	A2						
X	X						

## 22. Module: DAC

DACs do not meet DNL -1 Lsb min specification when AVDD < 3.0V. Worst case is -1.5 Lsb at 2.2V.

### Work around

None.

### Affected Silicon Revisions

A1	A2						
X	X						

## 23. Module: Timer1

Timer1 in Asynchronous External Counter mode, (i.e., TCS bit (T1CON<1>) = 1, TSYNC bit (T1CON<2>) = 0, and TECS<1:0> bits (T1CON<9:8>) are greater than '0b01) does not reflect the first count from an external T1CK input.

### Work around

None.

### Affected Silicon Revisions

A1	A2						
X	X						



# PIC32MK GP/MC Family

## 24. Module: Timer1

The TMR1 register of Timer1 in Asynchronous mode (i.e., TCS bit (T1CON<1> = 1, TSYNC bit (T1CON<2> = 0, and TECS<1:0> bits (T1CON<9:8>) are greater than `0b01`), remains at initial set value for 5 external clock pulses after wake up from Sleep mode

### Work around

None.

### Affected Silicon Revisions

A1	A2						
X	X						

## 25. Module: Timer1

Back-to-back writes to the TMR1 register are not allowed for four PBCLK2 cycles.

### Work around

Wait for four PBCLK2 cycles before attempting a second write to the TMR1 register.

### Affected Silicon Revisions

A1	A2						
X	X						

## 26. Module: I/O

If the I/O function is configured for RTCC alarm output driver, it does not return to default/Reset input high-Z state on wake-up from Deep Sleep mode through MCLR.

### Work around

None.

### Affected Silicon Revisions

A1	A2						
X	X						

## 27. Module: Deep Sleep

Deep-Sleep mode is non-functional.

### Work around

None.

### Affected Silicon Revisions

A1	A2						
X	X						

## 28. Module: RCON

The RCON register status bits, VBPOR, PORIO, PORCORE, and VBAT, are inconsistent and cannot be used.

### Work around

None.

### Affected Silicon Revisions

A1	A2						
X	X						

## 29. Module: Sleep

If the ON bit (PB5DIV<15>) = 0, and PBCLK5 is disabled, there is a 3 mA increase in Sleep IPD current.

### Work around

Do not disable PBCLK5 before entering Sleep mode.

### Affected Silicon Revisions

A1	A2						
X	X						

## 30. Module: Sleep

There is a 170  $\mu$ A increase in Sleep IPD current if USB pins D+ and D- are unused and left floating.

### Work around

Add 50k pull-downs on D+ and D-, and tie VUSB3V3 to VDD.

### Affected Silicon Revisions

A1	A2						
X	X						

## 31. Module: PMP

The PMP Input Buffer 'x' Status Full bit, IB0F (PMSTAT<8>), and Output Buffer Underflow Status bit, OBUF (PMSTAT<6>), are set as soon as the PMP is turned ON in Slave mode, when TTLLEN = 1.

### Work around

After PMP initial initialization is complete, and before PMP and interrupts are enabled, clear these bits in user software.

### Affected Silicon Revisions

A1	A2						
X	X						

# PIC32MK GP/MC Family

## 32. Module: PMP

CS is deasserting before RD in Slave mode. Slave mode is defeatured.

### Work around

None.

### Affected Silicon Revisions

A1	A2						
X	X						

## 33. Module: CTMU

Edge Sequencing mode, (EDGSEQEN bit (CTMUCON<2>)), and Edge mode are not functional.

### Work around

Use level modes.

### Affected Silicon Revisions

A1	A2						
X	X						

## 34. Module: CTMU

When the TGEN bit is set, manual current sourcing (i.e., setting the EDG1STAT bit) from the CTMU is not possible.

### Work around

None.

### Affected Silicon Revisions

A1	A2						
X	X						

## 35. Module: ICAP

Debug breakpoints are not supported when using Input Capture with DMA.

### Work around

None.

### Affected Silicon Revisions

A1	A2						
X	X						

## 36. Module: PWM

Leading edge blanking in XPRES mode, XPRES bit (PWMCONx<2>) = 1, is not functional.

### Work around

None.

### Affected Silicon Revisions

A1	A2						
X	X						

## 37. Module: PWM

The PWM module does not relinquish control of the PWM pins even if they are not enabled, (i.e., PENH bit (IOCONx<15>) = 0 and PENL bit (IOCON<14>) = 0).

### Work around

Disable corresponding unused user PWM channels by setting the appropriate PWMxMD bit in the PMD4 register = 1.

### Affected Silicon Revisions

A1	A2						
X	X						

## 38. Module: PWM

Leading-edge Blanking (LEB) trigger is not applied at the correct time if dead time is enabled. The trigger is applied before the dead time when it should be applied after the dead time to coincide with the actual dead time delayed PWM signal transition.

### Work around

Make the leading edge blanking time LEBDLYx<11:0> (i.e., LED<11:0> bits) equal to the desired leading edge blanking time, and the respective dead time value

### Affected Silicon Revisions

A1	A2						
X	X						

# PIC32MK GP/MC Family

## 39. Module: PWM

Multiple PWM Interrupts occur for single TRGIF, PWMLIF, and PWMHIF interrupt events. The ISR is re-executed multiple times if the PWM prescaler bits (PTCON<6:4>) (i.e., PCLKDIV<2:0>) or SCLKDIV<2:0> bits (i.e. STCON<6:4>) are greater than 5.

### Work around

Insure that the PCLKDIV<2:0> bits and the STCON< 2:0> bits are less than 5.

### Affected Silicon Revisions

A1	A2						
X	X						

## 40. Module: UART

A UART Transmit Interrupt (UTXISEL<1:0> bits (UxSTA<15:14>) = `\0b00`) is generated and asserted while the transmit buffer contains at least one empty space and the UART Receiver Interrupt Flag bit (URXISEL<1:0> bits (UxSTA<7:6>) = `\0b00`) is asserted while the receive buffer is not empty and non-functional.

### Work around

None.

### Affected Silicon Revisions

A1	A2						
X	X						

## 41. Module: UART

A UART Transmit Interrupt (UTXISEL<1:0> bits = `\0b01`) is generated but does not remain asserted when all of the characters have been transmitted. Once the IFSx bit is cleared by the user, it does not remain asserted even while all characters have been transmitted. This behavior compounded with finite interrupt latency can create a race condition amongst subsequent TX interrupts.

### Work around

To avoid the race condition, clear the UARTx IFSx flag before writing a new value to the TX Buffer, UxTXREG, in the ISR.

### Affected Silicon Revisions

A1	A2						
X	X						

## 42. Module: UART

UART Transmit UTXISEL<1:0> bits = `\0b10` Interrupt is generated but does not remain asserted while the transmit buffer is empty. Once the IFS bit is cleared by the user, it does not remain asserted even while transmit buffer is empty. This behavior compounded with finite interrupt latency can create a race condition amongst subsequent TX interrupts.

### Work around

To avoid the race condition, clear the UARTx IFS flag before writing a new value to the TX Buffer, UxTXREG, in the ISR.

### Affected Silicon Revisions

A1	A2						
X	X						

## 43. Module: UART

The UART Receive Interrupt Flag (URXISEL<1:0> bits = `\0b01`) is asserted only when the receive buffer equals one-half full and not when the receive buffer is greater than one-half full.

### Work around

Before exiting the UART RX ISR, ensure all the contents of the RX Buffer have been read, by reading the contents of the RX Buffer in the ISR until the URXDA bit (UxSTA<0>) is cleared.

### Affected Silicon Revisions

A1	A2						
X	X						

## 44. Module: UART

The UART Receive Interrupt Flag bit (URXISEL<1:0> bits = `\0b10`) is asserted only when the receive buffer equals three-quarters full and not when the receive buffer is greater than three-quarters full.

### Work around

Before exiting the UART RX ISR, ensure the entire contents of the RX Buffer have been read by reading the contents of RX Buffer in the ISR until the URXDA bit (UxSTA<10>) bit is cleared.

### Affected Silicon Revisions

A1	A2						
X	X						

# PIC32MK GP/MC Family

## 45. Module: UART

The UART TX Stop bit duration is shorter than the expected in High-Speed mode (BRGH (UxMODE<3>) = 1) for baud rates less than 7.5 MBPS.

### Work around

For baud rates less than 7.5 MBPS, operate the UART in Standard-Speed mode, that is, BRGH (UxMODE<3>) = 0. For baud rates greater than 7.5 MBPS operate the UART in High-Speed mode, that is, BRGH (UxMODE<3>) = 1.

### Affected Silicon Revisions

A1	A2						
X	X						

## 46. Module: CAN

The CAN Wake Interrupt Flag bit, WAKIF (CxINT<14>), is set even when the CAN module is disabled.

### Work around

During CAN initialization, and before enabling the CAN peripheral, clear the WAKIF bit in user code.

### Affected Silicon Revisions

A1	A2						
X	X						

## 47. Module: Deadman Timer (DMT)

The Deadman Timer module does not cause a Non-maskable Interrupt (NMI) on a BAD1, BAD2, or DMTEVENT.

### Work around

None.

### Affected Silicon Revisions

A1	A2						
X	X						

## 48. Module: Watchdog Timer (WDT)

Multiple valid key writes can be performed outside the Watchdog Timer window before a Reset occurs instead of the required single write.

### Work around

None.

### Affected Silicon Revisions

A1	A2						
X	X						

## 49. Module: ICSP

Regardless of other functions shared on the TDO pin, the TDO function becomes an active output and toggles while programming on any ICSP PGECx/PGEDx pair.

### Work around

None.

### Affected Silicon Revisions

A1	A2						
X	X						

## 50. Module: VIH

VIH(MIN) does not meet the electrical specification of  $(0.65 * V_{DD})$ , but is instead  $V_{IH(MIN)} = (0.8 * V_{DD})$ .

### Work around

Although VIH is greater than VOH(MIN) = 2.4V, VOH(MIN) is a function of IOH(MAX). If the application does not load the VIH input source signal by more than IOH(MAX) by 50%, there should be no issues.

### Affected Silicon Revisions

A1	A2						
X	X						

## 51. Module: Cache

A Data Bus Error Exception can occur when prefetch cache is enabled, (PREFEN<1:0>) bits (CHECON<5:4> = '0b01).

### Work around

Users must ensure that predictive prefetch cache is disabled by setting the PREFEN<1:0> bits = '0b00.

### Affected Silicon Revisions

A1	A2						
X							

## 52. Module: BOR

On a BOR event, and when the BORSEL bit (DEVCFG2<29>) = 0, the POR Status bit (RCON<0>) may also be erroneously set.

### Work around

None.

### Affected Silicon Revisions

A1	A2						
X	X						

# PIC32MK GP/MC Family

## 53. Module: BOR

On a BOR event,  $V_{POR} < V_{DD} < V_{BOR}$ , a Reset is not generated when the BOR threshold is reached. System clocks will stop with all I/O pins functions frozen in their present state until either  $V_{DD}$  falls to  $V_{POR}$  or  $V_{DD}$  returns to above  $V_{BOR}$ . The user must assess if this  $V_{DD}$  brown-out condition and the resulting frozen I/O pin state has an adverse effect on their application (UART, PWM, I/O, OC, etc.).

### Work around 1

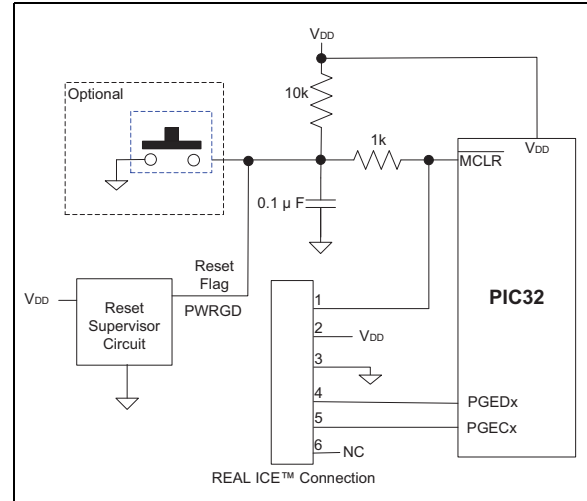
Use an external Reset supervisor/monitor (see Figure 2). Some LDO regulators, as listed in Table 6, have an embedded reset supervisor included. The required minimum reset trip voltage of the supervisor should be at least  $(V_{BOR} + 0.5V)$  with the SMCLR bit ( $DEVCFG0<15> = 0$ ) and the BORSEL bit ( $DEVCFG2<29> = 1$ ) in the Configuration Words. This means that the minimum  $V_{DD}$  operating voltage of the application needs to be above the reset supervisor maximum trip voltage at [Reset Trip (max) + 0.2V], (i.e. Application  $V_{DD(MIN)} = \sim(V_{BOR} + 0.5V + 0.2V)$ ). The reset supervisor should have an open drain output so as not to interfere with the MPLAB programming/debug tools. This workaround assures that MCLR will generate an internal POR and reset the I/O pins before the  $V_{BOR}$  trip point.

**Note:** For Motor Control applications utilizing the PWM module, **only Work around 1 is recommended.**

### Work around 2

If the application can sustain frozen I/O states for  $\sim 2.1$  ms (UART, CAN, I/O, etc.), the application must enable the Deep Sleep Watchdog Timer and Clock Fail Monitor, based on the details provided in Table 5 and Table 6. If implemented correctly, after  $\sim 2.1$  ms, a valid internal reset state is entered and the I/O pins are set to the device default Reset state.

**FIGURE 2: RESET SUPERVISOR CIRCUIT**



**TABLE 3: RESET SUPERVISOR/ VOLTAGE MONITOR**

Part Number	Reset Trip	CPU MCLR Source
MIC803-26D2VC3	2.63v	Reset pin (Open Drain)

**TABLE 4: LDO REGULATORS WITH EMBEDDED RESET SUPERVISOR**

Part Number	Topology	$V_{IN(MAX)}$	$V_{OUT}$	$I_{OUT}$	Reset Trip	CPU MCLR Source
MIC5239-3.3YM	LDO	30V	3.3V	500mA	3.3V-5%	FLG pin (Open Drain)
MIC5239-3.3YMM						
MCP1725-3302E/MC	LDO	6V	3.3V	500mA	3.3V-10%	PWRGD pin (Open Drain)
MCP1727-3302E/MF	LDO	6V	3.3V	1500mA	3.3V-10%	PWRGD pin (Open Drain)

### Affected Silicon Revisions

A1	A2						
X							

# PIC32MK GP/MC Family

---

## 54. Module: SPI2

Reading the SPI2 SS2R PPS register will return indeterminate results. Therefore, also avoid using bit instruction of the form SS2Rbits.SS2R, as it is a read-modify-write command, which will corrupt the register value. Writes to the register or bit SET, CLR, or INV will function as expected.

### Work around

Only use register write instruction forms to this register.

### Affected Silicon Revisions

A1	A2						
X	X						

## 55. Module: DMA

A simultaneous access by the CPU and the DMA controller to the same peripheral bus may result in bus conflict and cause the CPU to stall indefinitely until a Reset. For example, if the CPU is accessing the TMR2 which is located on peripheral bus 2, then a DMA access to any peripheral on peripheral bus 2, such as UART1, may result in a bus conflict and cause the CPU to stall indefinitely until a Reset. See Figure 1-1 “PIC32MK GP/MC Family Block Diagram” in the data sheet to determine which peripherals share the same peripheral bus.

This issue is limited to the CPU and the DMA controller accessing the same peripheral bus only. There are no bus conflict issues when the CPU and the DMA controller are simultaneously accessing SRAM memory. Furthermore, peripherals such as, ADC, CAN and USB OTG which have their independent DMA capabilities are not impacted by this issue as long as the destination is SRAM memory.

### Work around

Avoid simultaneous CPU and DMA access to the same peripheral bus. If there is a possibility of an ongoing DMA transfer, ensure that the DMA transfers on that peripheral bus are disabled before the CPU attempts to access that peripheral bus. This includes interrupt service routines during which the CPU is attempting access to the interrupting peripheral on the same peripheral bus where there is a possibility of an ongoing DMA transfer.

### Affected Silicon Revisions

A1	A2						
X	X						

## Data Sheet Clarifications

The following typographic corrections and clarifications are to be noted for the latest version of the device data sheet (DS60001402D):

**Note:** Corrections are shown in **bold**. Where possible, the original bold text formatting has been removed for clarity.

### 1. Module: BOR Event Voltage

The minimum BOR event on V<sub>DD</sub> transition high-to-low voltage value, defined in parameter BO1a for OPA<sub>x</sub>MD bit (PMD2) = 0 in **Table 36-5 Electrical Characteristics: BOR** was incorrectly stated. The correct value is shown in the following table.

**TABLE 36-5: ELECTRICAL CHARACTERISTICS: BOR**

DC CHARACTERISTICS			Standard Operating Conditions: 2.2V to 3.6V (unless otherwise stated) Operating temperature -40°C ≤ TA ≤ +85°C for Industrial -40°C ≤ TA ≤ +125°C for Extended				
Param. No.	Symbol	Characteristics	Min.	Typ.	Max.	Units	Conditions
BO10a	VBOR	BOR Event on V <sub>DD</sub> transition high-to-low (Note 2)	<b>2.735</b>	—	2.880	V	If any OPA <sub>x</sub> MD bit (PMD2) = 0 (OPAMP <sub>x</sub> Enb)
			2.010	—	2.129	V	If all OPA <sub>x</sub> MD bits (PMD2) = 1 (By default, all OP amps are disabled on any reset)

**Note 1:** Parameters are for design guidance only and are not testing in manufacturing.

**2:** Overall functional device operation at VBORMIN < V<sub>DD</sub> < V<sub>DDMIN</sub> is tested, but not characterized. All device Analog modules, such as ADC and so on., will function but with degraded performance below V<sub>DDMIN</sub>.

# PIC32MK GP/MC Family

---

## APPENDIX A: REVISION HISTORY

### Rev A Document (3/2017)

Initial release of this document issued for Revision A1 silicon, which includes silicon issues 1. (Primary Oscillator), 2. (Secondary Oscillator), 3. (Clocks), 4. (FSCM), 5. (VBAT), 6. (VBAT), 7. (ADC), 8. (ADC), 9. (ADC), 10. (ADC), 11. (ADC), 12. (ADC), 13. (Op amp), 14. (Op amp), 15. (Op amp), 16. (Op amp), 17. (Op amp), 18. (Op amp), 19. (Op amp), 20. (Op amp), 21. (DAC), 22. (DAC), 23. (Timer1), 24. (Timer1), 25. (Timer1), 26. (I/O), 27. (Deep Sleep), 28. (RCON), 29. (Sleep), 30. (Sleep), 31. (PMP), 32. (PMP), 33. (CTMU), 34. (CTMU), 35. (ICAP), 36. (PWM), 37. (PWM), 38. (PWM), 39. (PWM), 40. (UART), 41. (UART), 42. (UART), 43. (UART), 44. (UART), 45. (Temperature Sensor), 46. (CAN), 47. (Deadman Timer (DMT)), 48. (WDT), 49. (ICSP), 50. (VIH), 51. (Cache), 52. (BOR), 53. (BOR).

### Rev B Document (7/2017)

Updated silicon issue 45. to Reserved.

Added Data Sheet Clarifications: 1. (BOR Event Voltage), 2. (Deep Sleep Max Current), 3. (CTMU Temperature Sensor Graph), (The minimum BOR event on V<sub>DD</sub> transition high-to-low voltage value, defined in parameter BO1a for).

### Rev C Document (9/2017)

Updated for Revision A2 silicon.

Added silicon issue 54. (SPI2).

### Rev D Document (4/2018)

Add Silicon Issues 45. (UART) and 55. (DMA).

Added Data Sheet Clarifications: (The minimum BOR event on V<sub>DD</sub> transition high-to-low voltage value, defined in parameter BO1a for).



# PIC32MK GP/MC Family

## Note the following details of the code protection feature on Microchip devices:

- Microchip products meet the specification contained in their particular Microchip Data Sheet.
- Microchip believes that its family of products is one of the most secure families of its kind on the market today, when used in the intended manner and under normal conditions.
- There are dishonest and possibly illegal methods used to breach the code protection feature. All of these methods, to our knowledge, require using the Microchip products in a manner outside the operating specifications contained in Microchip's Data Sheets. Most likely, the person doing so is engaged in theft of intellectual property.
- Microchip is willing to work with the customer who is concerned about the integrity of their code.
- Neither Microchip nor any other semiconductor manufacturer can guarantee the security of their code. Code protection does not mean that we are guaranteeing the product as "unbreakable."

Code protection is constantly evolving. We at Microchip are committed to continuously improving the code protection features of our products. Attempts to break Microchip's code protection feature may be a violation of the Digital Millennium Copyright Act. If such acts allow unauthorized access to your software or other copyrighted work, you may have a right to sue for relief under that Act.

Information contained in this publication regarding device applications and the like is provided only for your convenience and may be superseded by updates. It is your responsibility to ensure that your application meets with your specifications. MICROCHIP MAKES NO REPRESENTATIONS OR WARRANTIES OF ANY KIND WHETHER EXPRESS OR IMPLIED, WRITTEN OR ORAL, STATUTORY OR OTHERWISE, RELATED TO THE INFORMATION, INCLUDING BUT NOT LIMITED TO ITS CONDITION, QUALITY, PERFORMANCE, MERCHANTABILITY OR FITNESS FOR PURPOSE. Microchip disclaims all liability arising from this information and its use. Use of Microchip devices in life support and/or safety applications is entirely at the buyer's risk, and the buyer agrees to defend, indemnify and hold harmless Microchip from any and all damages, claims, suits, or expenses resulting from such use. No licenses are conveyed, implicitly or otherwise, under any Microchip intellectual property rights unless otherwise stated.

*Microchip received ISO/TS-16949:2009 certification for its worldwide headquarters, design and wafer fabrication facilities in Chandler and Tempe, Arizona; Gresham, Oregon and design centers in California and India. The Company's quality system processes and procedures are for its PIC<sup>®</sup> MCUs and dsPIC<sup>®</sup> DSCs, KEELOQ<sup>®</sup> code hopping devices, Serial EEPROMs, microperipherals, nonvolatile memory and analog products. In addition, Microchip's quality system for the design and manufacture of development systems is ISO 9001:2000 certified.*

**QUALITY MANAGEMENT SYSTEM  
CERTIFIED BY DNV  
= ISO/TS 16949 =**

## Trademarks

The Microchip name and logo, the Microchip logo, AnyRate, AVR, AVR logo, AVR Freaks, BeaconThings, BitCloud, CryptoMemory, CryptoRF, dsPIC, FlashFlex, flexPWR, Helder, JukeBlox, KEELOQ, KEELOQ logo, Kleer, LANCheck, LINK MD, maXStylus, maXTouch, MediaLB, megaAVR, MOST, MOST logo, MPLAB, OptoLyzer, PIC, picoPower, PICSTART, PIC32 logo, Prochip Designer, QTouch, RightTouch, SAM-BA, SpyNIC, SST, SST Logo, SuperFlash, tinyAVR, UNI/O, and XMEGA are registered trademarks of Microchip Technology Incorporated in the U.S.A. and other countries.

ClockWorks, The Embedded Control Solutions Company, EtherSynch, Hyper Speed Control, HyperLight Load, IntellIMOS, mTouch, Precision Edge, and Quiet-Wire are registered trademarks of Microchip Technology Incorporated in the U.S.A.

Adjacent Key Suppression, AKS, Analog-for-the-Digital Age, Any Capacitor, AnyIn, AnyOut, BodyCom, chipKIT, chipKIT logo, CodeGuard, CryptoAuthentication, CryptoCompanion, CryptoController, dsPICDEM, dsPICDEM.net, Dynamic Average Matching, DAM, ECAN, EtherGREEN, In-Circuit Serial Programming, ICSP, Inter-Chip Connectivity, JitterBlocker, KleerNet, KleerNet logo, Mindi, MiWi, motorBench, MPASM, MPF, MPLAB Certified logo, MPLIB, MPLINK, MultiTRAK, NetDetach, Omniscient Code Generation, PICDEM, PICDEM.net, PICKit, PICtail, PureSilicon, QMatrix, RightTouch logo, REAL ICE, Ripple Blocker, SAM-ICE, Serial Quad I/O, SMART-I.S., SQI, SuperSwitcher, SuperSwitcher II, Total Endurance, TSHARC, USBCheck, VariSense, ViewSpan, WiperLock, WirelessDNA, and ZENA are trademarks of Microchip Technology Incorporated in the U.S.A. and other countries.

SQTP is a service mark of Microchip Technology Incorporated in the U.S.A.

Silicon Storage Technology is a registered trademark of Microchip Technology Inc. in other countries.

GestIC is a registered trademark of Microchip Technology Germany II GmbH & Co. KG, a subsidiary of Microchip Technology Inc., in other countries.

All other trademarks mentioned herein are property of their respective companies.

© 2017-2018, Microchip Technology Incorporated, All Rights Reserved.

ISBN: 978-1-5224-2899-2



## Worldwide Sales and Service

### AMERICAS

**Corporate Office**  
2355 West Chandler Blvd.  
Chandler, AZ 85224-6199  
Tel: 480-792-7200  
Fax: 480-792-7277  
Technical Support:  
<http://www.microchip.com/support>  
Web Address:  
[www.microchip.com](http://www.microchip.com)

**Atlanta**  
Duluth, GA  
Tel: 678-957-9614  
Fax: 678-957-1455

**Austin, TX**  
Tel: 512-257-3370

**Boston**  
Westborough, MA  
Tel: 774-760-0087  
Fax: 774-760-0088

**Chicago**  
Itasca, IL  
Tel: 630-285-0071  
Fax: 630-285-0075

**Dallas**  
Addison, TX  
Tel: 972-818-7423  
Fax: 972-818-2924

**Detroit**  
Novi, MI  
Tel: 248-848-4000

**Houston, TX**  
Tel: 281-894-5983

**Indianapolis**  
Noblesville, IN  
Tel: 317-773-8323  
Fax: 317-773-5453  
Tel: 317-536-2380

**Los Angeles**  
Mission Viejo, CA  
Tel: 949-462-9523  
Fax: 949-462-9608  
Tel: 951-273-7800

**Raleigh, NC**  
Tel: 919-844-7510

**New York, NY**  
Tel: 631-435-6000

**San Jose, CA**  
Tel: 408-735-9110  
Tel: 408-436-4270

**Canada - Toronto**  
Tel: 905-695-1980  
Fax: 905-695-2078

### ASIA/PACIFIC

**Asia Pacific Office**  
Suites 3707-14, 37th Floor  
Tower 6, The Gateway  
Harbour City, Kowloon

**Hong Kong**  
Tel: 852-2943-5100  
Fax: 852-2401-3431

**Australia - Sydney**  
Tel: 61-2-9868-6733  
Fax: 61-2-9868-6755

**China - Beijing**  
Tel: 86-10-8569-7000  
Fax: 86-10-8528-2104

**China - Chengdu**  
Tel: 86-28-8665-5511  
Fax: 86-28-8665-7889

**China - Chongqing**  
Tel: 86-23-8980-9588  
Fax: 86-23-8980-9500

**China - Dongguan**  
Tel: 86-769-8702-9880

**China - Guangzhou**  
Tel: 86-20-8755-8029

**China - Hangzhou**  
Tel: 86-571-8792-8115  
Fax: 86-571-8792-8116

**China - Hong Kong SAR**  
Tel: 852-2943-5100  
Fax: 852-2401-3431

**China - Nanjing**  
Tel: 86-25-8473-2460  
Fax: 86-25-8473-2470

**China - Qingdao**  
Tel: 86-532-8502-7355  
Fax: 86-532-8502-7205

**China - Shanghai**  
Tel: 86-21-3326-8000  
Fax: 86-21-3326-8021

**China - Shenyang**  
Tel: 86-24-2334-2829  
Fax: 86-24-2334-2393

**China - Shenzhen**  
Tel: 86-755-8864-2200  
Fax: 86-755-8203-1760

**China - Wuhan**  
Tel: 86-27-5980-5300  
Fax: 86-27-5980-5118

**China - Xian**  
Tel: 86-29-8833-7252  
Fax: 86-29-8833-7256

### ASIA/PACIFIC

**China - Xiamen**  
Tel: 86-592-2388138  
Fax: 86-592-2388130

**China - Zhuhai**  
Tel: 86-756-3210040  
Fax: 86-756-3210049

**India - Bangalore**  
Tel: 91-80-3090-4444  
Fax: 91-80-3090-4123

**India - New Delhi**  
Tel: 91-11-4160-8631  
Fax: 91-11-4160-8632

**India - Pune**  
Tel: 91-20-3019-1500

**Japan - Osaka**  
Tel: 81-6-6152-7160  
Fax: 81-6-6152-9310

**Japan - Tokyo**  
Tel: 81-3-6880-3770  
Fax: 81-3-6880-3771

**Korea - Daegu**  
Tel: 82-53-744-4301  
Fax: 82-53-744-4302

**Korea - Seoul**  
Tel: 82-2-554-7200  
Fax: 82-2-558-5932 or  
82-2-558-5934

**Malaysia - Kuala Lumpur**  
Tel: 60-3-6201-9857  
Fax: 60-3-6201-9859

**Malaysia - Penang**  
Tel: 60-4-227-8870  
Fax: 60-4-227-4068

**Philippines - Manila**  
Tel: 63-2-634-9065  
Fax: 63-2-634-9069

**Singapore**  
Tel: 65-6334-8870  
Fax: 65-6334-8850

**Taiwan - Hsin Chu**  
Tel: 886-3-5778-366  
Fax: 886-3-5770-955

**Taiwan - Kaohsiung**  
Tel: 886-7-213-7830

**Taiwan - Taipei**  
Tel: 886-2-2508-8600  
Fax: 886-2-2508-0102

**Thailand - Bangkok**  
Tel: 66-2-694-1351  
Fax: 66-2-694-1350

### EUROPE

**Austria - Wels**  
Tel: 43-7242-2244-39  
Fax: 43-7242-2244-393

**Denmark - Copenhagen**  
Tel: 45-4450-2828  
Fax: 45-4485-2829

**Finland - Espoo**  
Tel: 358-9-4520-820

**France - Paris**  
Tel: 33-1-69-53-63-20  
Fax: 33-1-69-30-90-79

**France - Saint Cloud**  
Tel: 33-1-30-60-70-00

**Germany - Garching**  
Tel: 49-8931-9700  
**Germany - Haan**  
Tel: 49-2129-3766400

**Germany - Heilbronn**  
Tel: 49-7131-67-3636

**Germany - Karlsruhe**  
Tel: 49-721-625370

**Germany - Munich**  
Tel: 49-89-627-144-0  
Fax: 49-89-627-144-44

**Germany - Rosenheim**  
Tel: 49-8031-354-560

**Israel - Ra'anana**  
Tel: 972-9-744-7705

**Italy - Milan**  
Tel: 39-0331-742611  
DS80000737D  
Fax: 39-0331-466781

**Italy - Padova**  
Tel: 39-049-7625286

**Netherlands - Druen**  
Tel: 31-416-690399  
Fax: 31-416-690340

**Norway - Trondheim**  
Tel: 47-7289-7561

**Poland - Warsaw**  
Tel: 48-22-3325737

**Romania - Bucharest**  
Tel: 40-21-407-87-50

**Spain - Madrid**  
Tel: 34-91-708-08-90  
Fax: 34-91-708-08-91

**Sweden - Gothenberg**  
Tel: 46-31-704-60-40

**Sweden - Stockholm**  
Tel: 46-8-5090-4654

**UK - Wokingham**  
Tel: 44-118-921-5800  
Fax: 44-118-921-5820

11/7/16