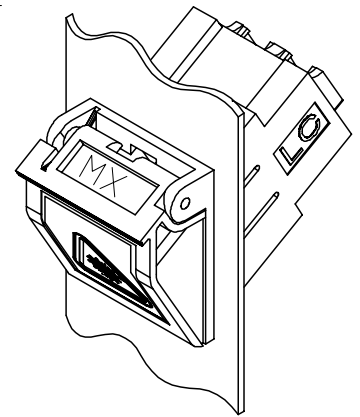
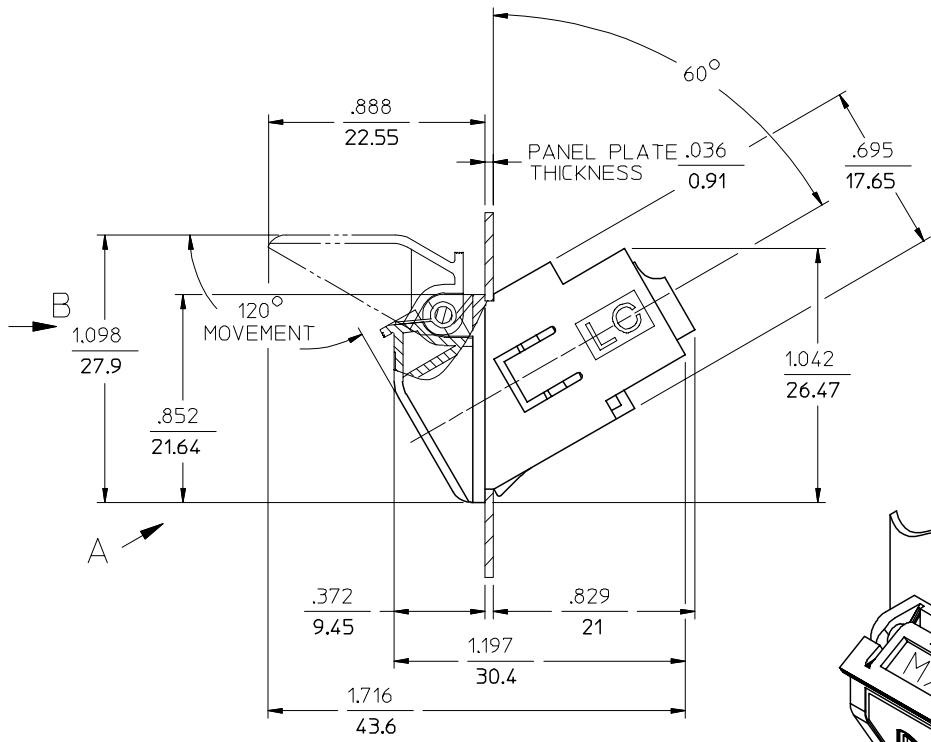
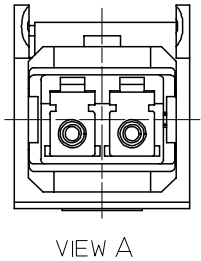
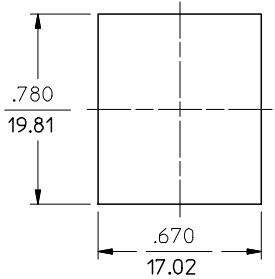
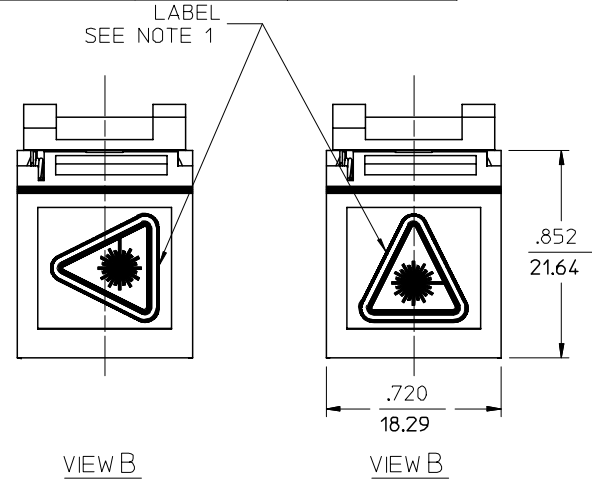


KIT P/N	BEZEL FRAME/DOOR COLOR	DOOR TYPE	SLEEVE MATERIAL
106004-3576	METAL/METAL	NO LOGO	ZIRCONIA
106004-3577			PHOSPHOR BRONZE
106004-3575	METAL/BLACK	MX LOGO	ZIRCONIA
106004-3578	METAL/METAL		PHOSPHOR BRONZE
106004-3579			PHOSPHOR BRONZE



ISOMETRIC VIEW

NOTES:
1. LABEL TO BE INSTALLED BY CUSTOMER.

ENTER DESCRIPTION EC NO: MF2006-0262 DRWNR: RPACIFICI CHKD: 2005/12/01 APPR: IGUMIN 2005/12/01	QUALITY SYMBOLS ▽=0 ▽=0	GENERAL TOLERANCES (UNLESS SPECIFIED)		DIMENSION STYLE IN/MM	SCALE 2:1	DESIGN UNITS INCH	THIRD ANGLE PROJECTION	
		4 PLACES ± --- ± ---	DRAWN BY RPACIFICI	DATE 2005/10/20	TITLE METALIZED LC BEZEL ADAPTER KITS WITH PUSH TAB			
		3 PLACES ± --- ± ---	CHECKED BY	DATE	APPROVED BY			
		2 PLACES ± --- ± ---	APPROVED BY		DATE	MOLEX INCORPORATED		
1 PLACE ± --- ± ---	ANGULAR ±1/2°		MATERIAL NO. SEE TABLE		DOCUMENT NO. SD-106004-357X		SHEET NO. 1 OF 1	
DRAFT WHERE APPLICABLE MUST REMAIN WITHIN DIMENSIONS			THIS DRAWING CONTAINS INFORMATION THAT IS PROPRIETARY TO MOLEX INCORPORATED AND SHOULD NOT BE USED WITHOUT WRITTEN PERMISSION					